

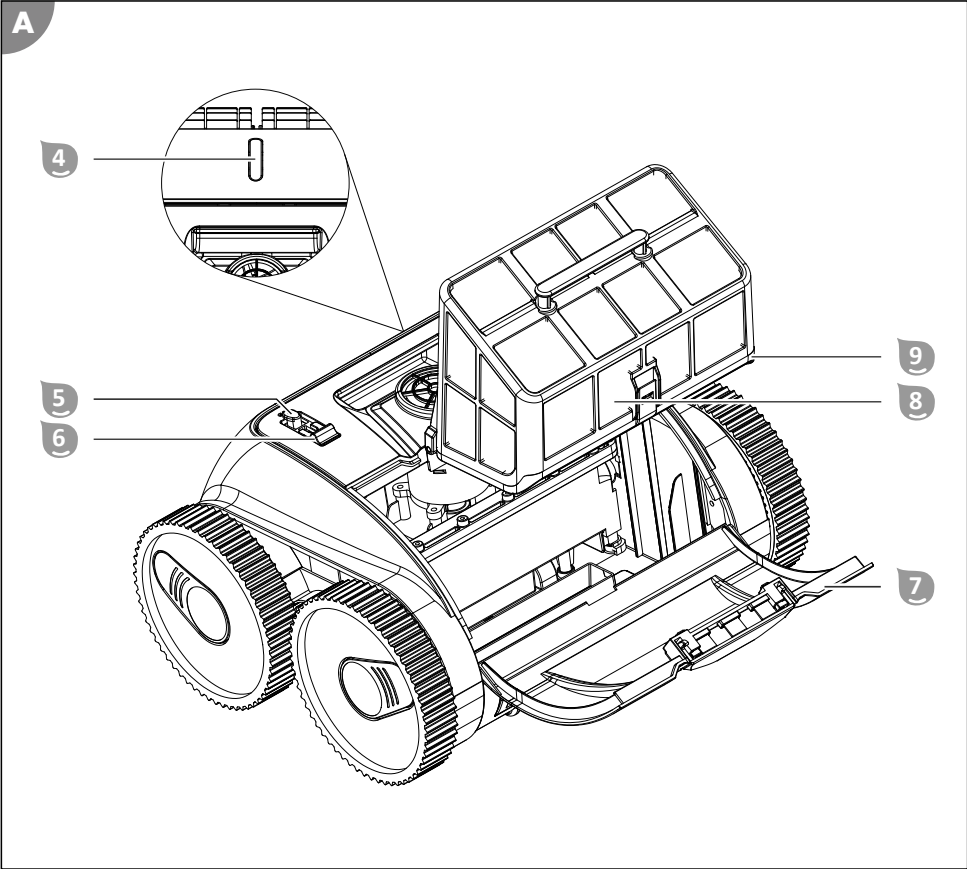
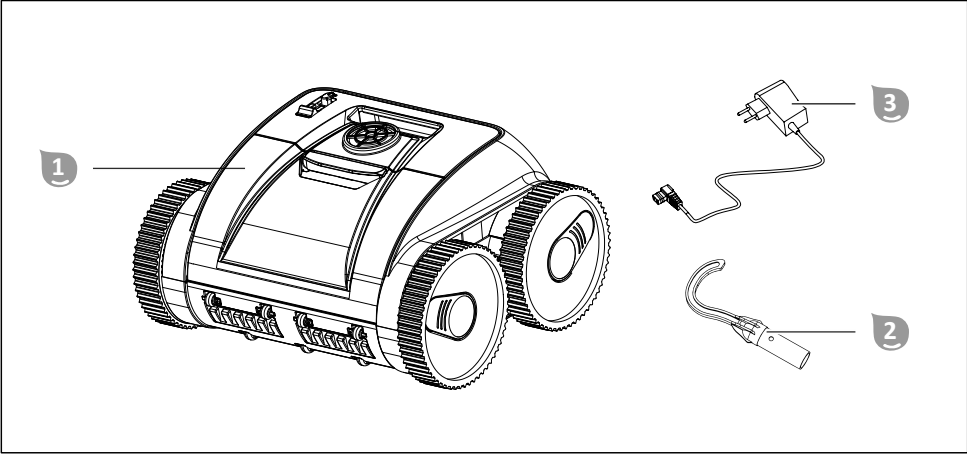
Originalbetriebsanleitung / Original owner's manual / Notice originale / Istruzioni originali / Manual original / Původní návod k používání / Eredeti használati utasítás / Izvirna navodila / Pôvodný návod na použitie / Instrukcja oryginalna / Instrucțiuni originale / Originalne upute / Оригинална инструкция / Orijinal kullanim talimatları

Schwimmbadreiniger

Poolrunner Battery Pro



de	Schwimmbadreiniger.....	4	en	Pool cleaner.....	20
fr	Nettoyeur de piscine.....	35	it	Pulitore per piscina.....	51
es	Limpiafondos de piscina.....	67	cs	Čistič bazénů.....	83
hu	Úszómedence tisztító.....	98	sl	Čistilnik bazena.....	114
sk	Čistič bazénu.....	130	pl	Odkurzacz basenowy.....	146
ro	Dispozitiv de curățare a piscinei.....	162	hr/bs	Čistač bazena.....	177
bg	Уред за почистване на басейни.....	192	tr	Yüzme havuzu temizleyicisi.....	208



Package contents/components

- 1 Cleaner
- 2 Hook
- 3 Charger
- Instruction manual (not shown)

Components

- 4 Status indicator
- 5 Cap for charging socket
- 6 ON/OFF switch
- 7 Hatch for filter unit
- 8 Filter unit
- 9 Filter unit cover

Contents

Overview	2
Package contents/components	19
General Information	21
Explanation of Symbols	21
Safety	22
Unpacking and checking the package contents	23
Description	23
Description of the pool cleaner.....	23
Status indicator.....	23
Functions of the app control via Bluetooth (optional).....	24
Preparation	24
Charging the rechargeable battery.....	24
Installing the app.....	25
Operation	25
Cleaning the pool.....	26
Configuring the cleaning program via the app.....	27
Switching off the device.....	27
Cleaning	28
Cleaning the device.....	28
Storage	29
Troubleshooting	30
Technical data	31
Spare parts	32
Declaration of Conformity	33
Disposal	33

General Information

Read and keep the operating instructions



These operating instructions are part of the "Battery Pro" pool cleaner (in the following also called "device"). They contain important information about start-up and operation.

Read the operating instructions and especially the safety instructions carefully before using the device. Non-observance of these operating instructions can lead to severe injuries or damage to the device.

Keep the operating instructions for further use. If you pass on the device to a third party, you must pass on these operating instructions as well.

Intended use

This device is exclusively intended for the maintenance cleaning of private foil pools with a foil thickness of >0.4 mm (0.02 in)

- and a smooth and level floor without any obstacles (such as folds, floor drains, steps or stairs),
- level, smooth and vertical walls (e.g. pools without top ring) and whose water level is below the edge of the pool (no overflow pools, for example).

The cleaning performance may be limited in pools made of alternative materials (such as fiberglass, stainless steel or tiles) due to the surface structure.

The device is not suitable for the removal of large sediment quantities that occur in pools with biological water treatment (such as eco swimming pools or natural pools).

This product is exclusively intended for private use and not suited for the commercial sector. Only use the device as described in these operating instructions. Any other use is considered inappropriate and may lead to material damage or even injury. The device is not a toy.

The manufacturer or retailer will not assume any liability for damage caused by inappropriate or incorrect use.

Explanation of Symbols

The following symbols are used in these operating instructions, on the device or on the packaging.



Here you will find useful additional information.



Risk of damage!
Do not open the packaging with sharp or pointed objects, such as cutters



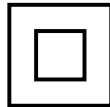
Lithium-ion batteries in equipment or lithium-ion batteries packaged with equipment. Pool cleaner



This symbol provides information about the energy efficiency of external power adapters.



Only use the charger indoors



Electrical device with double insulated housing (protection class II)

Safety

The following signal words are used in these operating instructions.



This signal symbol/word denotes a hazard with an average risk level that could lead to death or severe injury if it is not avoided.



This signal symbol/word denotes a hazard with a low risk level that could lead to mild or moderate injury if it is not avoided.

NOTICE!

This signal word provides a warning about potential material damage.

General safety instructions

Safety instructions for persons



Danger to children and persons with reduced physical, sensory or mental capacities (such as partially disabled persons/older persons with reduced physical and mental capacities) or persons lacking experience and knowledge (such as older children).

Improper handling of the device can lead to severe injury or damage to the device.

- Only allow others to access the device after they have read and comprehended the entire manual or have been instructed about the intended use and the associated risks.
- Never let persons with reduced physical, sensory or mental capacities (such as children or drunk people) or a lack of experience and knowledge unsupervised near the device.
- Never allow children and persons with limited physical, sensory or mental capacities or persons lacking the respective experience and knowledge to operate the device.
- Do not let children clean or service the device.
- Children are not allowed to play with the device or with the power cable.
- Do not operate the device when impaired (e.g. under the influence of drugs, alcohol or medication).



Risk of injury through insufficient qualification!

Insufficient experience or skills for handling the required tools and insufficient knowledge of regional or normative regulations for the required work can lead to severe injuries or material damage.

- Assign all work whose risks you cannot estimate due to insufficient personal experience to a qualified expert.

Additional safety instructions for chargers

Use and handling of the charger

- Only connect the charger if the mains voltage of the socket matches that on the type plate.
- Only connect the charger to an easily accessible socket so that you can quickly disconnect it in the case of a fault.
- Always ensure sufficient ventilation while charging the rechargeable battery. Gases might be released.
- Only use the charger to recharge rechargeable batteries approved by the manufacturer.
- Do not recharge non-rechargeable batteries.

- A cracked or otherwise damaged rechargeable battery must not be connected to the charger.
- Protect the charger from any kind of moisture.
- Only use the charger indoors. Never operate it in damp rooms or in the rain.
- Never use the charger in environments with explosive or flammable materials. Risk of fire and explosion.
- Do not place any objects on the charger and do not cover the charger.
- Do not install the charger close to a heat source.
- Regularly check the charger for damage.
- Do not use a damaged charger until it has been repaired.
- Do not take the charger apart. Repairs must only be carried out through a licensed technical customer service.
- Do not use the charger if it has been subjected to blows or knocks or if it was dropped.
- Disconnect the charger from the mains after each use.
- Disconnect the charger from the mains before cleaning, servicing, storing and transporting it and let it cool down completely.
- **Only charge the rechargeable battery with chargers recommended by the manufacturer. A charger that is suited for a certain type of rechargeable battery poses a risk of fire if it is used with other types of rechargeable batteries.**

Unpacking and checking the package contents



Packaging materials pose a risk of suffocation!


Catching your head in the packaging foil or swallowing other packaging materials can cause death. There is a higher risk for children and mentally challenged persons who cannot estimate the hazard potential due to lack of knowledge and experience.

- Prevent children and mentally challenged persons from playing with the packaging materials.


Description

Description of the pool cleaner

The battery-operated pool cleaner cleans the bottom and the walls of your pool for maintenance. Cleaning rollers dislodge the accumulated biofilm.

The removable filter unit  filters suspended deposits and floating substances out of the water. If the rechargeable battery dies, the pool cleaner stops cleaning.

Status indicator

The status indicator  informs you about the operating state of the device:

lit blue

The device is switched on and ready for operation.

blinking blue

The device is in operation (and cleans the pool).

lit pink

The device is connected to the app via Bluetooth. The device can be configured in this operating state but it cannot clean!

blinking pink

The device is ready to connect to the app via Bluetooth.

lit yellow

The device is done cleaning.

blinking yellow

The rechargeable battery is almost discharged (and the device moves to the pool wall).

lit red

The ON/OFF switch  was actuated and the device switches itself off.

blinking red

The device is out of the water.

Functions of the app control via Bluetooth (optional)

"Battery Pro Line" is a free app for your smartphone or tablet. This app allows you to set up the cleaning program on designated pool cleaners via Bluetooth. By entering parameters such as the shape and dimensions of the pool, you can individually adapt and optimize the cleaning process.

At delivery, the cleaning program "Wall/bottom cleaning - focus on bottom" is preset for rectangular pools with a size of 3 m x 6 m (9.8 ft. x 19.7 ft.).

(1) Bottom cleaning

The device only cleans the bottom of the pool.

(2) Wall cleaning

The device only cleans the pool wall.

(3) Wall/bottom cleaning

The device cleans the wall and bottom of the pool.

(4) Wall/bottom cleaning - focus on bottom

The device cleans the wall and bottom of the pool and invests more time in cleaning the bottom.

Preparation

Charging the rechargeable battery



Risk of fire!

Charging at a temperature below 10 °C leads to chemical damage to the cell and can cause a fire.

- Charge the rechargeable battery at room temperature.

NOTICE!

Charging the rechargeable battery in a wet or moist charging socket leads to corrosion of the contacts.

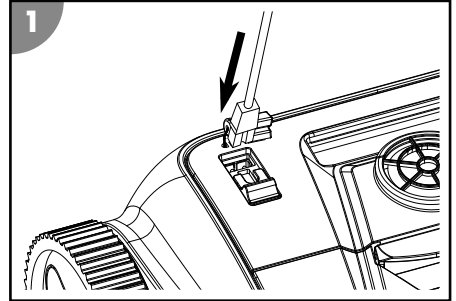
- Only connect the charger to the device if the charging socket is dry.

Charging process

1. Switch off the device before charging.
2. Pull the cap **5** out of the charging socket.
3. Connect the charger to the device.
4. Plug the charger into a socket.

The charge control indicator is lit red. The rechargeable battery is charging.

5. When the charge control indicator is lit green, disconnect the charger from the power supply and the device.
6. Put the cap **5** in the charging socket.
The rechargeable battery is charged.



Installing the app

You have to install the app to use all functions of the device.

IOS / Android



or look for "Battery Pro Line" in the app store



Install updates at regular intervals to keep the app up to date. This is the only way to guarantee fault-free operation of the control via Bluetooth.

Operation



Do not operate while swimming! Mortal danger!

Hair or clothing can be sucked in or trapped by the cleaning element, hold persons under water and, in extreme cases, prevent them from resurfacing.

- Never operate the device while there are persons in the pool.
- Prevent any access to the pool as long as the device is in operation.

Check the following before each use:

- Is there visible damage on the device?
- Is there visible damage on the control elements?
- Do all individual parts function?
- Are the accessories in perfect condition?
- Are all cables in perfect condition?

Do not start up a damaged device or damaged accessories. Have them checked by the manufacturer or its customer service or a qualified service technician.

Cleaning the pool

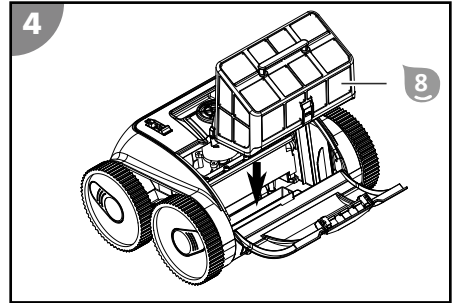
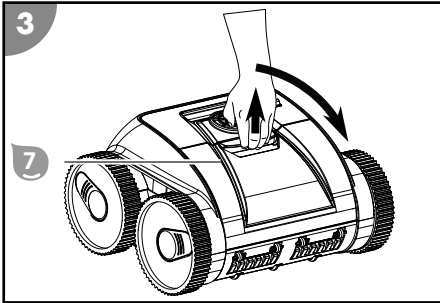
Observe the following before cleaning your pool:

- Remove any cover or foil from the pool.
- Remove obstacles (such as a ladder) from the pool.
- Switch off the filter system at least one hour before the start of cleaning so that particles in the water can settle on the floor.

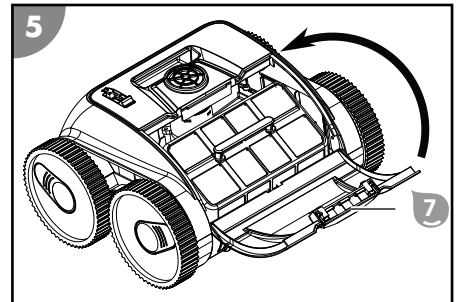
Proceed as follows to clean your pool:

1. Insert the filter unit.
2. Place the device in the pool and switch it on.

Inserting the filter

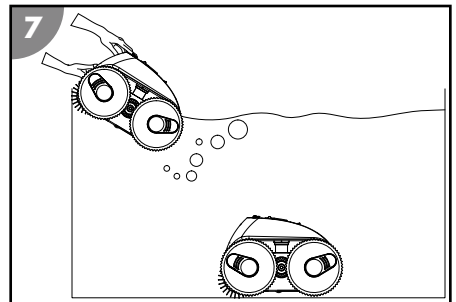
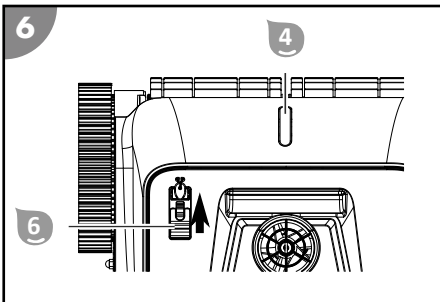


1. Open the hatch (7).
2. Position the filter unit (8) on the suction channel.
3. Close the hatch (7) so that it locks in place. *The filter is inserted.*



Placing the device in the pool and starting cleaning

You can use the device as delivered without using the app. Optionally, you can also optimize the preset cleaning program to suit your individual requirements (see section "Description"). The desired settings must be made before operation and outside the water; they are saved and can be used afterwards.



1. Check that the cap is securely snapped onto the charging socket.
2. Switch the ON/OFF switch **5** to ON.
*The status indicator **4** is lit blue. The device is switched on and ready for operation.*
3. Hold the device by the handle and lower it slowly into the water until all the air has escaped.
4. Then let the device sink to the bottom of the pool.
Make sure that the device lands on the bottom of the pool on its underside and that cleaning can start without obstruction towards the center of the pool.
*The status indicator **4** blinks blue.*

The device is in the pool and starts cleaning with a time delay.

Configuring the cleaning program via the app

You must pair the device with the app and configure the cleaning program while the device is out of the water before placing the device in the pool and starting cleaning. Any settings you made are saved and applied in future operation.

1. Activate Bluetooth.
If you use an android device, you might have to activate GPS as well.
2. Switch the ON/OFF switch **5** to ON.
*The status indicator **4** is lit blue. The device is ready for operation.*
3. Slide the ON/OFF switch forward and back again (within at most 2 seconds).
*The status indicator **4** blinks pink. The device is ready to connect to the app via Bluetooth.*
4. Start the "Battery Pro Line" app.
5. Search for available devices.
6. Select your device to connect it with the app.
The app signals the successfully established connection.

*The status indicator **4** is lit pink. The device is connected to the app.*
7. Follow the instructions of the app and select the desired parameters.
8. Check and confirm the set values.
9. Switch off the ON/OFF switch **5**.
*The status indicator **4** is lit red and goes off as soon as the device has switched itself off.*

The cleaning program has been configured and saved.

Switching off the device

Proceed as follows to switch off the device:

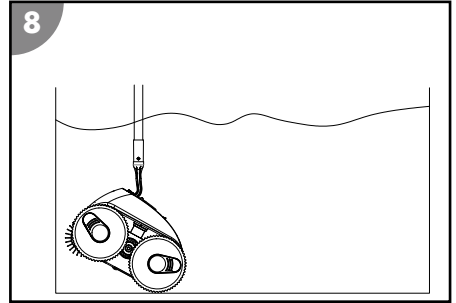
1. Lift the device out of the pool and switch it off.
2. Clean the filter unit and the device.

Stopping cleaning

The device stops cleaning automatically as soon as the rechargeable battery is almost discharged. The status indicator **4** blinks yellow while the device moves to the pool wall and stays yellow as soon as it has reached its end position.

Lifting the device out of the pool

1. Attach the hook **2** to a telescopic rod and thrust it into the handle of the device.
Never attempt to lift the device by the charging cap strap **5**!
2. Slowly pull the device towards the water surface until you can reach the handle.
3. Slowly lift the device out of the water and hold it above the water surface.
After 10 to 15 seconds, most of the water that has collected in the housing has drained back into the pool.
4. Switch off the ON/OFF switch **6**.
*The status indicator **4** is lit red and goes off as soon as the device has switched itself off.*
5. Set down the device next to the pool.
The device is lifted out of the pool.



Clean the device after each use to ensure continued trouble-free operation.

Cleaning

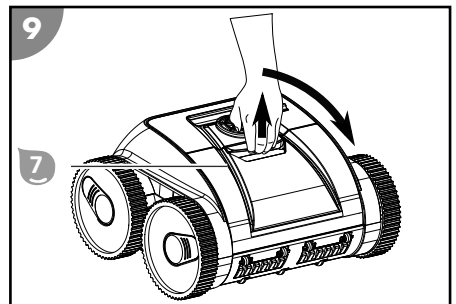
Only clean the device with a standard bathroom cleaner, clear tap water and a lint-free cloth. Aggressive cleaning agents can damage the device. Dry the device with a lint-free cloth.

Cleaning the device

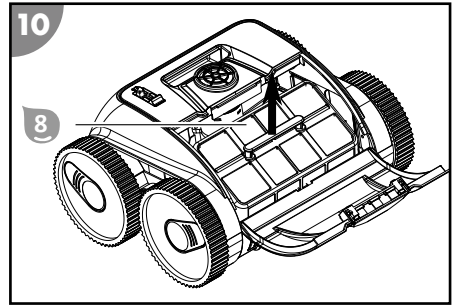
1. Remove and clean the filter.
 2. Rinse the device after each use with plain tap water inside and out.
- The device is clean.*

Removing the filter

1. Open the hatch **7**.

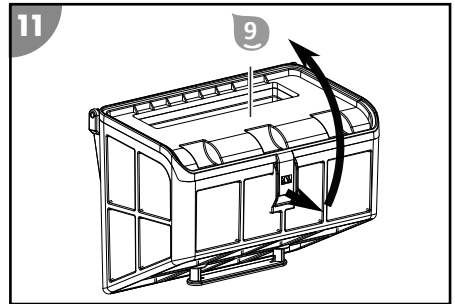


2. Pull the filter unit **8** vertically up and out of the device.
The filter is removed.

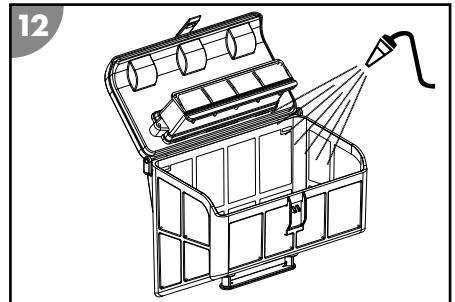


Cleaning the filter

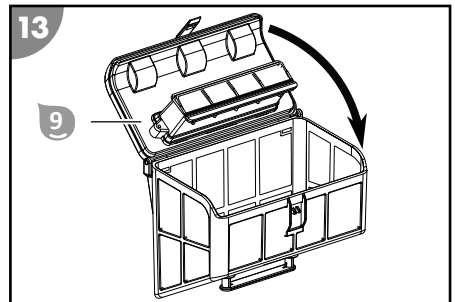
1. Pull the tap and open the cover **9** of the filter unit.



2. Thoroughly rinse the filter unit with plain tap water.



3. Close the cover **9** of the filter unit so that it locks in place.
The filter is cleaned.




Storage

1. Thoroughly clean the device (see section "Cleaning").

2. Let all parts dry completely.
3. Fully charge the device.
Recharging is required after at latest 3 months due to self-discharge.
4. Then store the device and its accessories in a dry and frost-free place ($\geq +5\text{ }^{\circ}\text{C}$) without direct sunlight.

Troubleshooting

Fault description	Cause	Remedy
Charger blinks red.	Low rechargeable battery voltage or faulty rechargeable battery.	Contact customer service.
The status indicator  blinks red.	Device is out of the water.	Place the device in the water or switch it off if you are not going to use it at present.
The device cannot reach all places in the pool.	The water circuit of the pool is switched on.	Switch off the filter system of the pool.
	The device becomes stuck on the drain grate.	Switch off the filter system of the pool.
The device does not completely move up the wall.	The filter is clogged.	Clean the filter.
	Algae grows on the walls.	Manually pre-clean the pool walls. Investigate and remedy the cause of algae growth (e.g., pH value). Use the pool cleaner more frequently.
	The water temperature is too high or too low.	Operate the device at water operating temperature (see section "Technical data").
	The tires or the cleaning roller are/is worn.	Check the tires and the cleaning roller for wear and replace them if necessary.
	The device is too light and topples.	Switch off the device and let all the air escape.
	The pH value and the chlorine quantity are not properly set.	Adjust the pH value and the chlorine value to the correct value (see section "Technical data").
The device does not sink.	There is air in the device.	Switch off the device and let all the air escape.
	The salt content is too high and the device has more buoyancy.	Set the correct salt content. See section "Technical data".
The device rises to the surface.	The device climbs too high or there is air trapped in the device.	Switch off the device and let all the air escape.
	The salt content is too high and the device has more buoyancy.	Set the correct salt content. See section "Technical data".

If the problem cannot be solved, contact the customer service listed on the last page.

Technical data

POOL CLEANER

Model:	HJ3172 PLUS
Item number:	061206F11
Width of cleaning element:	275 mm (7.9 in.)
Speed:	max. 11 m/min (36 ft/min)
Immersion depth:	max. 2.0 m (6.5 ft.)
Filter mesh:	180 µm
Safety class:	IPX8

CHARGER

Model:	XSG1261800EU
Rated power:	45 W
Operating voltage and frequency:	100-240 V~, 50/60 Hz
Output voltage:	12.6 V ===
Safety class:	IP20

RECHARGEABLE BATTERY

Type of rechargeable battery:	Lithium-ion
Rechargeable battery capacity:	8,600 mAh
Charging time:	7 to 8 hours
Battery running time:	up to 90 min.

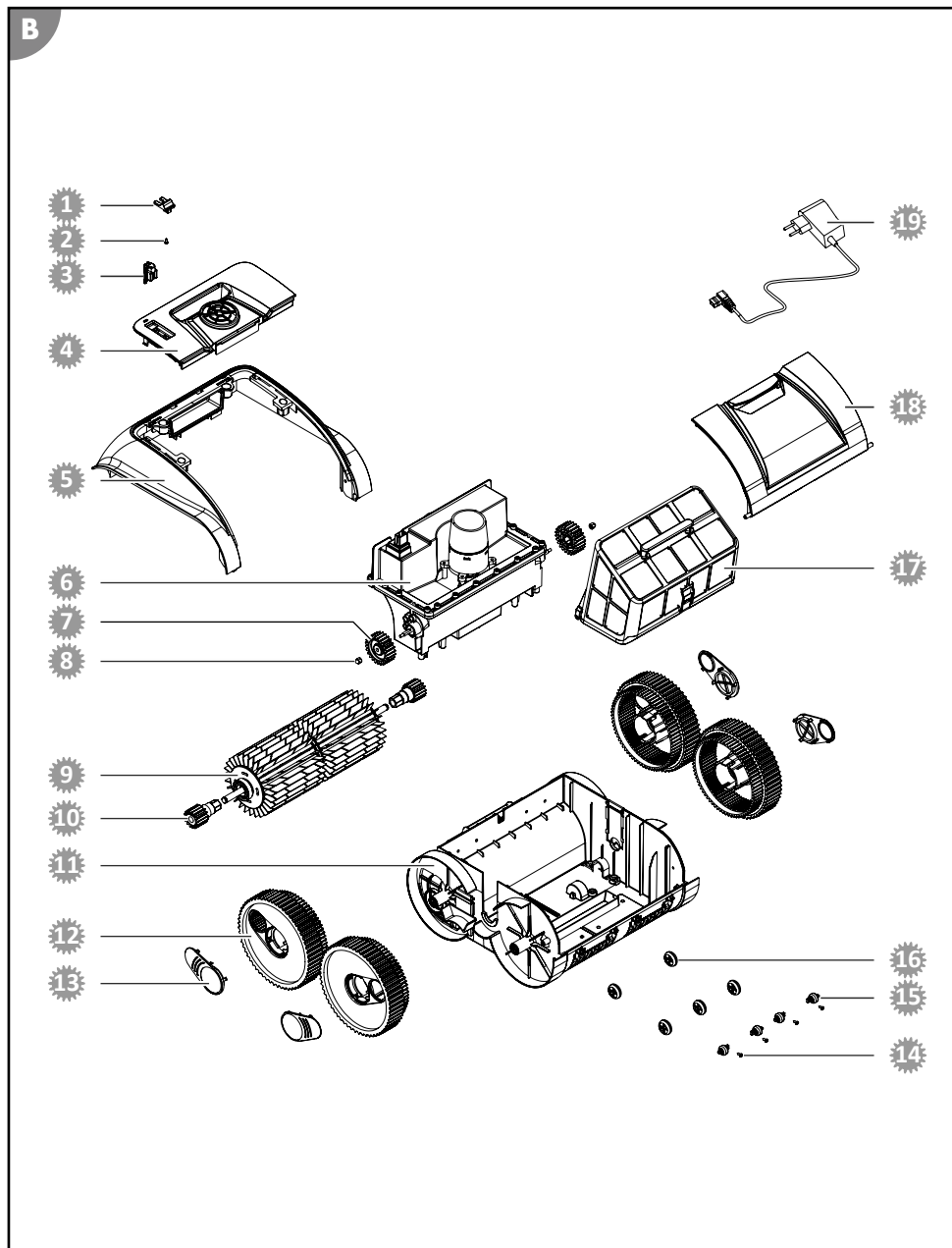
RADIO CONTROL




















App:	Battery Pro Line
Signal frequency:	2402-2480 MHz
Effective radiated power (ERP):	4 dBm

POOL

Pool size - floor area:	max. 32 m ² (108 sq. ft.)
Salt content in water (salt electrolysis):	<0.5%
Water temperature:	10 °C to 35 °C (50 °F to 95 °F)
Ambient temperature:	10 °C to 40 °C (50 °F to 104 °F)

Spare parts



- | | |
|---|--|
|  061361 - ON/OFF switch |  061370 - Cleaning roller drive wheel |
|  061362 - Screw for ON/OFF switch |  061371 - Bottom part of housing |
|  061363 - Cap for charging socket |  061372 - Wheel |
|  061360 - Top part of housing |  061373 - Wheel cover |
|  061365 - Housing frame |  061377 - Screw |
|  061366F11 - Motor unit |  061376 - Support wheel 2 |
|  061367 - Drive wheel |  061375 - Support wheel 1 |
|  061368 - Union nut for drive wheel |  061374 - Filter unit |
|  061369 - Cleaning roller |  061364 - Hatch for filter unit |
| |  061378 - Charger |

Declaration of Conformity



Steinbach International GmbH hereby declares that the wireless system type pool cleaner Poolrunner Battery Pro (061206F11) complies with Directive 2014/53/EU.

The full text of the EU Declaration of Conformity is available at the following internet address: www.steinbach-group.com

Disposal

Disposing of the packaging

Sort the packaging before you dispose of it. Dispose of paperboard and cardboard with the recycled paper service and wrappings with the appropriate collection service.

Disposing of used appliances

Applicable in the European Union and other European countries with separate collection systems for recyclable materials.



Used appliances do not belong in the household waste!

If the device can no longer be used, each consumer **is obligated by law to drop off used appliances separate from the household waste** at a municipal collection point.

This ensures that used appliances are recycled properly and negative effects on the environment are avoided. Therefore electrical appliances are marked with the above symbol.



Batteries and rechargeable batteries must not be disposed of in the household waste!

You, the consumer, are obligated by law to deposit all batteries and rechargeable batteries, regardless of whether they contain hazardous substances* or not, at a collection point in your community/your district or at a retailer so that these can be disposed of in an environmentally-friendly fashion.

* marked with: Cd = cadmium, Hg = mercury, Pb = lead, Li = lithium

© 2022 Steinbach International GmbH

Nachdruck oder Vervielfältigung (auch auszugsweise) nur mit Genehmigung der Steinbach International GmbH. Diese Druckschrift, einschließlich aller ihrer Teile, ist urheberrechtlich geschützt. Jede Verwertung außerhalb der engen Grenzen des Urheberrechts ist ohne Zustimmung der Steinbach International GmbH unzulässig und strafbar. Das gilt insbesondere für Vervielfältigungen, Übersetzungen, Mikroverfilmungen und die Einspeisung und Verarbeitung in elektronischen Systemen.

Vertrieben durch



Steinbach International GmbH

L. Steinbach Platz 1,
AT-4311 Schwertberg



helpdesk.steinbach.at



Produktinformationen/ Product information/ Informations relatives au produit/ Informazioni sul prodotto/ Informacije o izdelku/ Informații despre produs/ Informace o výrobku/ Informacije o proizvodu/ Termékinformáció/ Informácie o výrobku/ Продуктова информация/ Ürün bilgileri/ Informacje o produkcie/ Información sobre el producto

steinbach-group.com



Pool Control App



Ersatzteile/ Spare parts/ Pièces de rechange/ Parti di ricambio/ Nadomestni deli/ Piese de schimb/ Náhradní díly/ Zamjenski dijelovi/ Pótalkatrészek/ Náhradné diely/ Резервни части/ Yedek parçalar/ Części zamiennie/ Piezas de recambio

steinbach-group.com/de/ersatzteile