

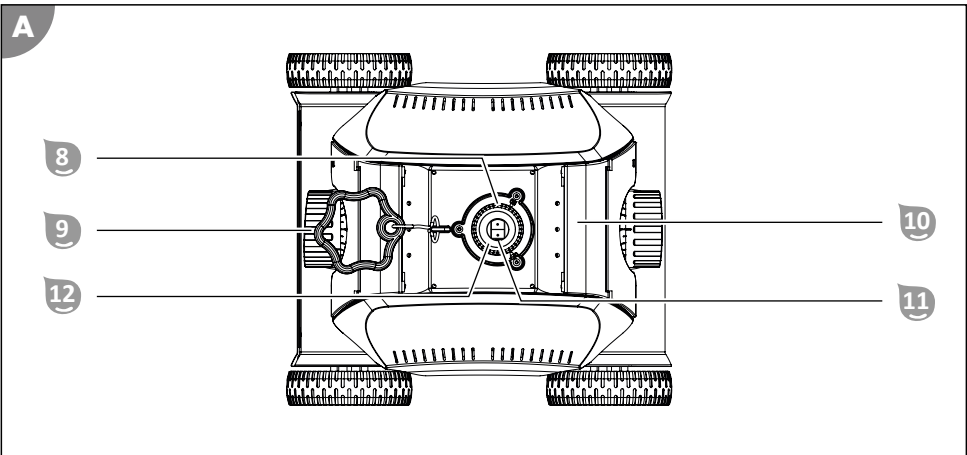
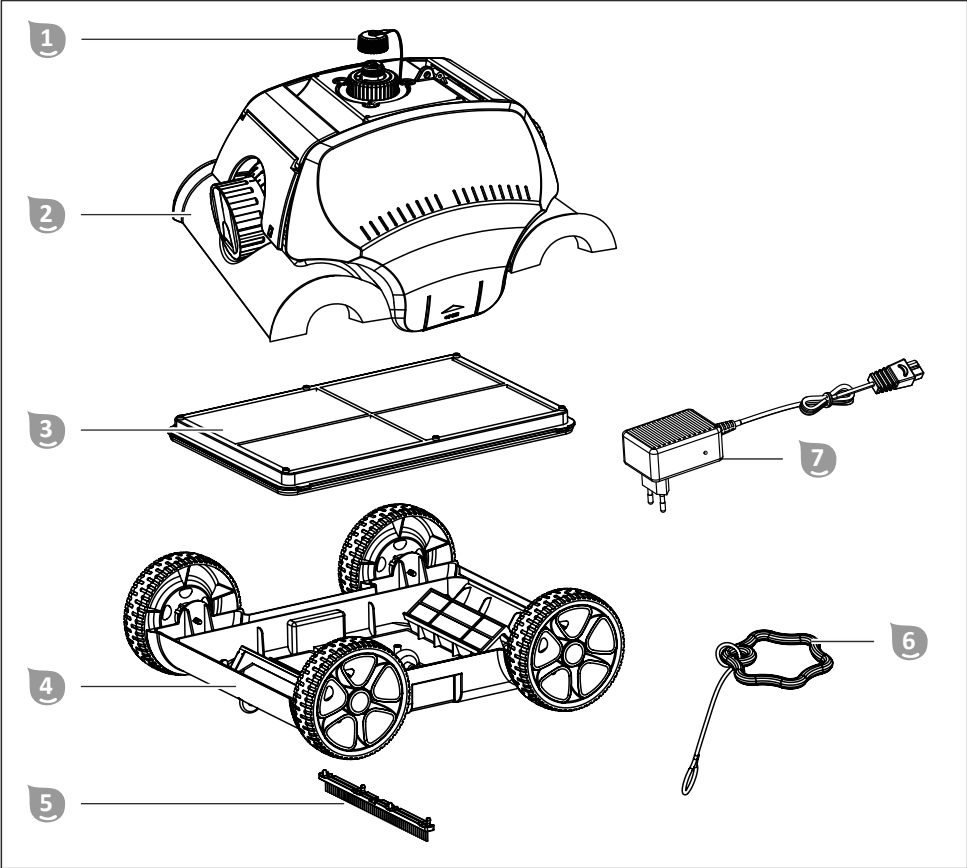
Originalbetriebsanleitung / Original owner's manual / Notice originale / Istruzioni originali / Manual original / Původní návod k používání / Eredeti használati utasítás / Izvirna navodila / Pôvodný návod na použitie / Instrukcija oryginalna / Instrucțiuni originale / Originalne upute / Оригинална инструкция / Orijinal kullanim talimatları

Schwimmbadreiniger

Poolrunner Battery+



de	Schwimmbadreiniger.....	4	en	Pool cleaner.....	18
fr	Nettoyeur de piscine.....	32	it	Pulitore per piscina.....	46
es	Limpiafondos de piscina.....	60	cs	Čistič bazénů.....	74
hu	Úszómedence tisztító.....	87	sl	Čistilnik bazena.....	101
sk	Čistič bazénu.....	115	pl	Odkurzacz basenowy.....	128
ro	Dispozitiv de curățare a piscinei.....	142	hr/bs	Čistač bazena.....	156
bg	Уред за почистване на басейни.....	169	tr	Yüzme havuzu temizleyicisi.....	184



Package contents/components

- 1 Protective cap
 - 2 Top part
 - 3 Filter unit
 - 4 Bottom part
 - 5 Brush
 - 6 Floating handle with nylon cord
 - 7 Charger
- Instruction manual (not shown)

Components

- 8 Rotary switch
- 9 Nozzle
- 10 Handle
- 11 Charging plug
- 12 Status indicator

Contents

Overview.....	2
Package contents/components.....	17
General Information.....	19
Explanation of Symbols.....	19
Safety.....	20
Unpacking and checking the package contents.....	21
Description.....	21
Preparation.....	22
Charging the rechargeable battery.....	22
Basic settings.....	22
Operation.....	24
Cleaning the pool.....	24
Switching off the device.....	25
Cleaning.....	26
Storage.....	26
Troubleshooting.....	27
Technical data.....	28
Spare parts.....	29
Declaration of Conformity.....	30
Disposal.....	30

General Information

Read and keep the operating instructions



These operating instructions are part of the Pool Runner Battery+ pool cleaner (in the following also called "device"). It contains important information about startup and operation. Read the operating instructions and especially the safety instructions carefully before using the device. Non-observance of these operating instructions can lead to severe injuries or damage to the device.

Keep the operating instructions for further use. If you pass on the device to a third party, you must pass on these operating instructions as well.

Intended use

This device is exclusively intended for the maintenance cleaning of private foil pools with a foil thickness of <0.4 mm and a smooth and level floor without any obstacles (such as folds, floor drains, steps or stairs).

The cleaning performance may be limited in pools made of alternative materials (such as GFK, stainless steel or tiles) due to the surface structure.

The device is not suitable for the removal of large sediment quantities that occur in pools with biological water treatment (such as eco swimming pools or natural pools).

This product is exclusively intended for private use and not suited for the commercial sector. Only use the device as described in these operating instructions. Any other use is considered inappropriate and may lead to material damage or even injury. The device is not a toy.

The manufacturer or retailer will not assume any liability for damage caused by inappropriate or incorrect use.

Explanation of Symbols

The following symbols are used in these operating instructions, on the device or on the packaging.



Here you will find useful additional information.



Risk of damage!
Do not open the packaging with sharp or pointed objects, such as cutters



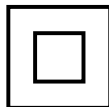
Lithium-ion batteries in equipment or lithium-ion batteries packaged with equipment. Pool cleaner



This symbol provides information about the energy efficiency of external power adapters.



Only use the charger indoors



Electrical device with double insulated housing (protection class II)

Safety

The following signal words are used in these operating instructions.



This signal symbol/word denotes a hazard with an average risk level that could lead to death or severe injury if it is not avoided.



This signal symbol/word denotes a hazard with a low risk level that could lead to mild or moderate injury if it is not avoided.

NOTICE!

This signal word provides a warning about potential material damage.

General safety instructions

Safety instructions for persons



Danger to children and persons with reduced physical, sensory or mental capacities (such as partially disabled persons/older persons with reduced physical and mental capacities) or persons lacking experience and knowledge (such as older children).

Improper handling of the device can lead to severe injury or damage to the device.

- Only allow others to access the device after they have read and comprehended the entire manual or have been instructed about the intended use and the associated risks.
- Never let persons with reduced physical, sensory or mental capacities (such as children or drunk people) or a lack of experience and knowledge unsupervised near the device.
- Never allow children and persons with limited physical, sensory or mental capacities or persons lacking the respective experience and knowledge to operate the device.
- Do not let children clean or service the device.
- Children are not allowed to play with the device or with the power cable.
- Do not operate the device when impaired (e.g. under the influence of drugs, alcohol or medication).



Risk of injury through insufficient qualification!

Insufficient experience or skills for handling the required tools and insufficient knowledge of regional or normative regulations for the required work can lead to severe injuries or material damage.

- Assign all work whose risks you cannot estimate due to insufficient personal experience to a qualified expert.

Additional safety instructions for chargers

Use and handling of the charger

- Only connect the charger if the mains voltage of the socket matches that on the type plate.
- Only connect the charger to an easily accessible socket so that you can quickly disconnect it in the case of a fault.
- Always ensure sufficient ventilation while charging the rechargeable battery. Gases might be released.
- Only use the charger to recharge rechargeable batteries approved by the manufacturer.
- Do not recharge non-rechargeable batteries.

- A cracked or otherwise damaged rechargeable battery must not be connected to the charger.
- Protect the charger from any kind of moisture.
- Only use the charger indoors. Never operate it in damp rooms or in the rain.
- Never use the charger in environments with explosive or flammable materials. Risk of fire and explosion.
- Do not place any objects on the charger and do not cover the charger.
- Do not install the charger close to a heat source.
- Regularly check the charger for damage.
- Do not use a damaged charger until it has been repaired.
- Do not take the charger apart. Repairs must only be carried out through a licensed technical customer service.
- Do not use the charger if it has been subjected to blows or knocks or if it was dropped.
- Disconnect the charger from the mains after each use.
- Disconnect the charger from the mains before cleaning, servicing, storing and transporting it and let it cool down completely.
- **Only charge the rechargeable battery with chargers recommended by the manufacturer. A charger that is suited for a certain type of rechargeable battery poses a risk of fire if it is used with other types of rechargeable batteries.**

Unpacking and checking the package contents



WARNING!

Packaging materials pose a risk of suffocation!

Catching your head in the packaging foil or swallowing other packaging materials can cause death. There is a higher risk for children and mentally challenged persons who cannot estimate the hazard potential due to lack of knowledge and experience.


- Prevent children and mentally challenged persons from playing with the packaging materials.

Description

Description of the pool cleaner

The battery-operated pool cleaner cleans the bottom of your filled pool for maintenance.

The adjustable nozzles  determine the travel path and the speed of the pool cleaner.

The removable filter unit  filters the water and collects deposits in the pool.

Depending on the degree of soiling, an optional brush  can improve the cleaning result.

If the rechargeable battery dies, the pool cleaner stops cleaning.

The status indicator  on the top part  informs you about the operating state:

- lit blue: the device is switched on.
- blinking blue: the device is cleaning the pool.
- blinking blue (rapidly): the device is out of the water.
- lit red: the device is done cleaning.
- blinking red: the device has a fault.
- blinking red (once): the device will switch itself off.

Preparation

Charging the rechargeable battery



Risk of fire!

Charging at a temperature below 10 °C leads to chemical damage to the cell and can cause a fire.

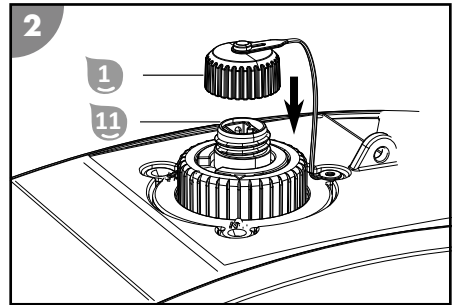
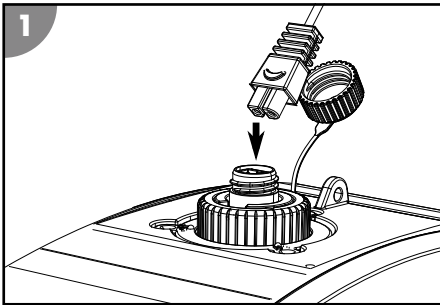
- Charge the rechargeable battery at room temperature.

NOTICE!

Charging the rechargeable battery in a wet or moist charging socket leads to corrosion of the contacts.

- Only connect the charger to the device if the charging socket is dry.

Charging process



1. Switch off the device before charging.
2. Take the protective cap **1** off the charging plug **11**.
3. Connect the charger to the device.
4. Plug the charger into a socket.

The charge control indicator is lit red. The rechargeable battery is charging.

5. When the charge control indicator is lit green, disconnect the charger from the power supply and the device.
6. Attach the protective cap **1** to the charging plug **11**.

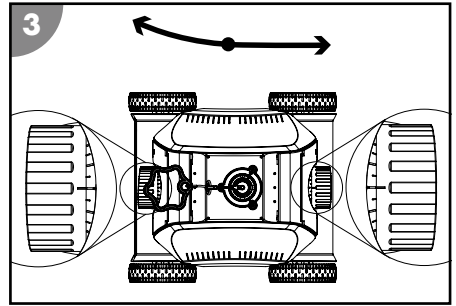
The rechargeable battery is charged.

Basic settings

Adjusting the nozzles

The following settings are recommendations. Adapt the basic settings to the actual properties of your pool.

- 0°/30°: for most pools
- 0°/40°: to cover a large cleaning area
- 20°/20°: for round pools

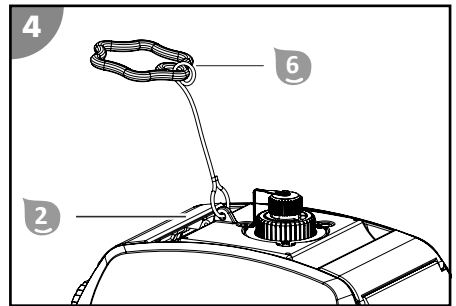


Attaching the floating handle

Attach the floating handle so you can place the device in the pool and take it out of the pool in a controlled manner.

1. Guide the end of the nylon cord of the floating handle 6 through the eyelet on the top part 2.
2. Shorten the nylon cord to a length that roughly corresponds to the depth of your pool and tie it in a knot.

The floating handle is attached.

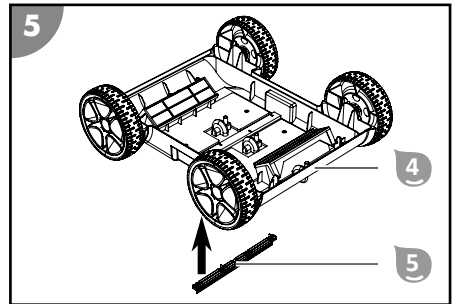


Installing the brush

The brush 5 can improve the cleaning of your pool, depending on the conditions on site, such as type and quantity of dirt or surface structure of the bottom. Only operate the device with the brush installed if this leads to a better cleaning result.

1. Press the brush strip 5 into the indentation on the bottom of the bottom part 4.
2. Make sure that the brush strip 5 has completely engaged and fits tightly.

The brush is installed.



Removing the brush

1. Unlatch the hook of the brush strip 5 from the inside and press the brush strip out of the bottom part 4 at the same time.
2. Take out the brush strip 5.

The brush is removed.

Operation



WARNING!

Do not operate while swimming! Mortal danger!

Hair or clothing can be sucked in or trapped by the cleaning element, hold persons under water and, in extreme cases, prevent them from resurfacing.

- Never operate the device while there are persons in the pool.
- Prevent any access to the pool as long as the device is in operation.

Check the following before each use:

- Is there visible damage on the device?
- Is there visible damage on the control elements?
- Do all individual parts function?
- Are the accessories in perfect condition?
- Are all cables in perfect condition?

Do not start up a damaged device or damaged accessories. Have them checked by the manufacturer or its customer service or a qualified service technician.

Cleaning the pool

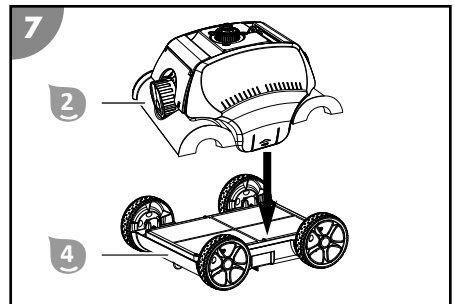
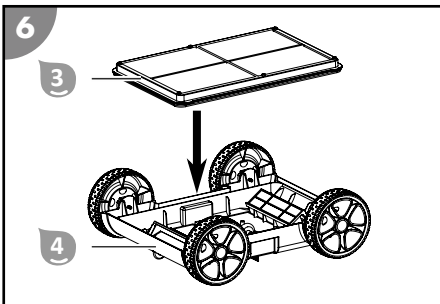
Observe the following before cleaning your pool:

- Remove any cover or foil from the pool.
- Remove obstacles (such as a ladder) from the pool.
- Switch off the filter system at least one hour before the start of cleaning so that particles in the water can settle on the floor.

Proceed as follows to clean your pool:

1. Insert the filter unit.
2. Place the device in the pool and switch it on.

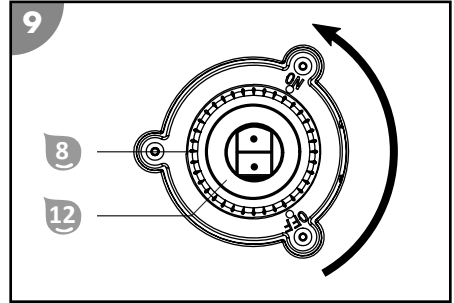
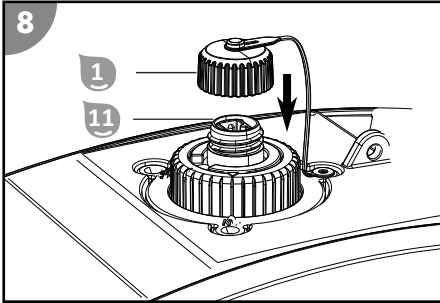
Inserting the filter unit



1. Insert the filter unit **3** into the bottom part **4**.
2. Push the top part **2** onto the bottom part **4** until it has snapped into place on both sides.

The filter unit is inserted.

Placing the device in the pool and starting cleaning



1. Attach the protective cap **1** to the charging plug **11**.
2. Set the rotary switch **8** to ON.

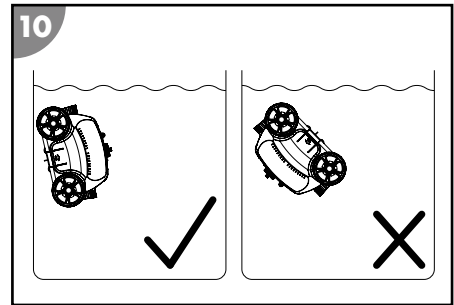
*The status indicator **12** is lit blue. The device is switched on and ready for operation.*

1. Hold the device by the handle **19** and lower it slowly into the water until all the air has escaped.
2. Carefully lower the device to the bottom on the nylon cord of the floating handle.

Make sure that the device lands on the bottom of the pool on its underside and that cleaning can start without obstruction towards the center of the pool.

*The status indicator **12** blinks blue.*

The device is in the pool and starts cleaning with a time delay.



Switching off the device

Proceed as follows to switch off the device:

1. Lift the device out of the pool and switch it off.
2. Clean the filter unit and the device.

Stopping cleaning

The device stops cleaning automatically as soon as the rechargeable battery is almost discharged. The status indicator **12** is lit red while the device moves to the pool wall.

Lifting the device out of the pool

1. Slowly pull the device to the surface by the floating handle **6** and the nylon cord until you can reach the handle **10**.
2. Slowly lift the device out of the water by the handle **10** and hold it above the water surface. After 10 to 15 seconds, most of the water that has collected in the housing has drained back into the pool.
3. Set the rotary switch **8** to OFF.

*The status indicator **12** blinks red once and the device switches itself off.*

4. Set down the device next to the pool.

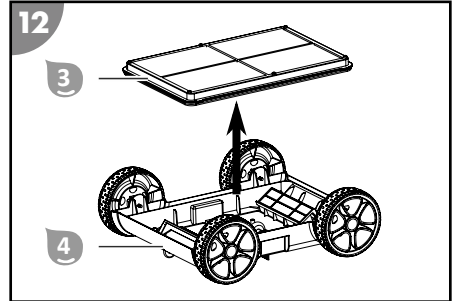
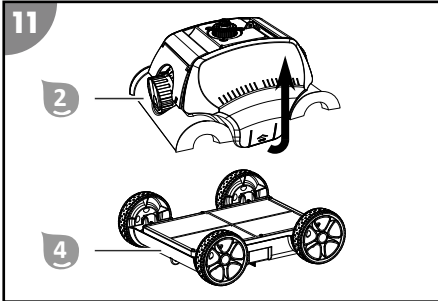
The device is lifted out of the pool.



Clean the device after each use to ensure continued trouble-free operation.

Cleaning

Only clean the device with a standard bathroom cleaner, clear tap water and a lint-free cloth. Aggressive cleaning agents can damage the device. Dry the device with a lint-free cloth.



1. Pull the two latches apart and lift off the top part 2.
2. Take the filter unit 3 out of the bottom part 4.
3. Thoroughly rinse the filter unit 3 with plain tap water.
4. Rinse the device after each use with plain tap water inside and out.

The device is clean.

Storage

1. Thoroughly clean the device (see section "Cleaning").
2. Let all parts dry completely.
3. Fully charge the device.
Recharging is required after at latest 3 months due to self-discharge.
4. Then store the device and its accessories in a dry and frost-free place ($\geq +5$ °C) without direct sunlight.

Troubleshooting

Fault description	Cause	Remedy
The device cannot be switched on and the status indicator is not lit.	The rechargeable battery is dead.	Charge the rechargeable battery.
	The rechargeable battery is defective.	Contact customer service.
The charge control indicator is not lit.	The charger is defective.	Contact customer service.
The rechargeable battery running time is shorter than expected.	The water temperature is too low.	Only use the device under the permissible operating conditions. See section "Technical data".
	The rechargeable battery was not completely charged.	Charge the rechargeable battery completely.
The device does not work and the status indicator blinks red.	The device has a fault.	Contact customer service.
The device cannot reach all spots.	The nozzle setting is not suitable.	Change the setting of the nozzles.
	The water circulation of the pool is switched on.	Switch off the filter system of the pool.
The device does not function.	There are foreign objects in the drive.	Contact customer service.
The device floats up or turns in a circle on the pool floor.	Too much air in the housing.	Let all air escape.
	The salt content is too high and the device has more buoyancy.	Set the correct salt content. See section "Technical data".



If the fault cannot be rectified, please contact an authorized specialist or the Steinbach support team.

Technical data

POOL CLEANER

Model: HJ1103
Item number: 061013
Width of cleaning element: 210 mm (8.3 inches)

Speed: max. 16 m/min (53 ft./min.)
Immersion depth: max. 2.0 m (6.5 ft.)
Filter mesh: 180 µm
Safety class: IPX8
App control: not available

POOL

Pool size - floor area: max. 18 m² (108 sq. ft.)

Salt content in water (salt electrolysis): <0.5%

Water temperature: 10 °C to 35 °C (50 °F to 95 °F)

Ambient temperature: 10 °C to 40 °C (50 °F to 104 °F)

CHARGER

Model: XSG1261800EU
Rated power: 45 W
Operating voltage and frequency: 100-240 V~, 50/60 Hz

Output voltage: 12.6 V ===
Safety class: IP20

RECHARGEABLE BATTERY

Type of rechargeable battery: Lithium-ion

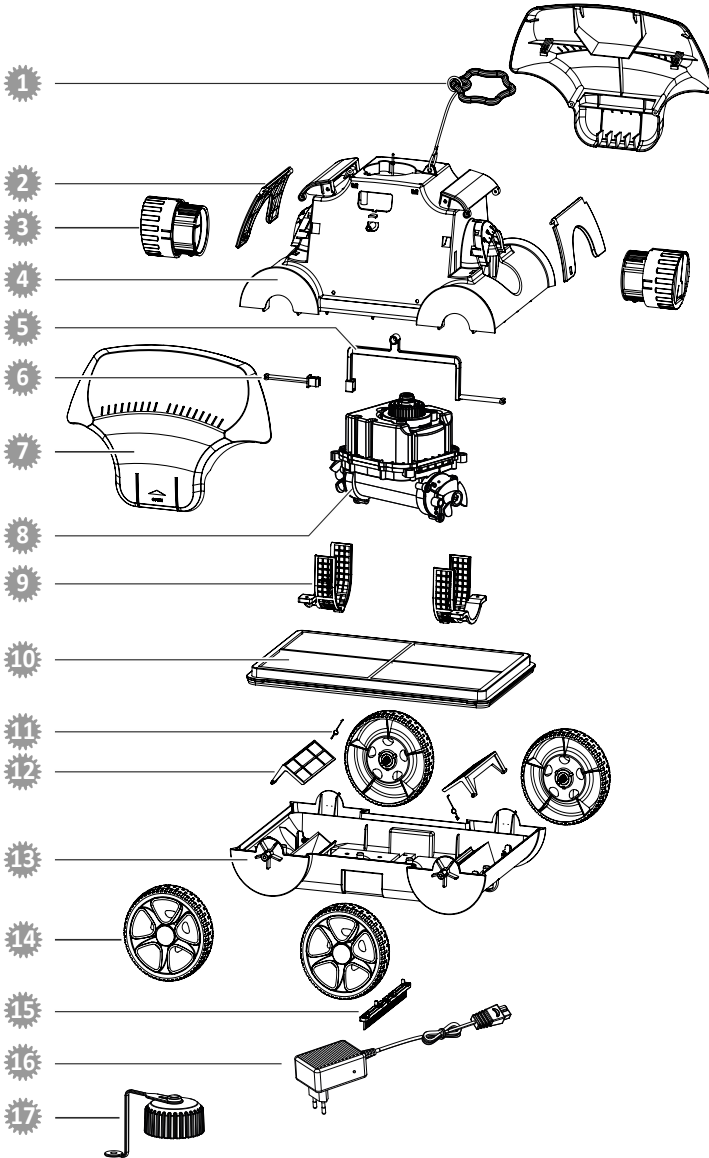
Rechargeable battery capacity: 6,600 mAh


















Charging time: 5 to 6 hours

Battery running time: up to 120 min.

Spare parts

B



- | | |
|---|---|
|  061981 - floating handle |  061988 - safety grate for motor/pump unit |
|  061984 - swinging plate |  061990 - filter insert |
|  061986 - nozzle |  061989 - spring for filter valve |
|  061982 - drive unit cover |  061946 - filter valve |
|  061985 - safety rod system 2, long |  061992 - bottom part of housing |
|  061983 - safety rod system 1, short |  061993 - wheel |
|  061980 - side cover |  061942 - brush |
|  061935 - motor/pump unit with rechargeable battery |  061934 - power adapter |
| |  061933 - protective cap |

Declaration of Conformity



Steinbach International GmbH hereby declares that the device meets the following directives:

- 2014/35/EU (EN 60335-1:2012+A11:2014+A13:2017; EN 60335-2-41:2003+A1:2004+A2:2010; EN 62233:2008)
- 2014/30/EU (EN 55014-1:2006+A1:2009+A2:2011; EN 55014-2:2015; EN 61000-3-2:2014; EN 61000-3-3:2013)

You can request the complete text of the EU Declaration of Conformity from the address stated at the end of this instruction manual.

Disposal

Disposing of the packaging

Sort the packaging before you dispose of it. Dispose of paperboard and cardboard with the recycled paper service and wrappings with the appropriate collection service.

Disposing of used appliances

Applicable in the European Union and other European countries with separate collection systems for recyclable materials.



Used appliances do not belong in the household waste!

If the device can no longer be used, each consumer **is obligated by law to drop off used appliances separate from the household waste** at a municipal collection point. This ensures that used appliances are recycled properly and negative effects on the environment are avoided. Therefore electrical appliances are marked with the above symbol.



Batteries and rechargeable batteries must not be disposed of in the household waste!

You, the consumer, are obligated by law to deposit all batteries and rechargeable batteries, regardless of whether they contain hazardous substances* or not, at a collection point in your community/your district or at a retailer so that these can be disposed of in an environmentally-friendly fashion.

* marked with: Cd = cadmium, Hg = mercury, Pb = lead, Li = lithium

© 2024 Steinbach International GmbH

Nachdruck oder Vervielfältigung (auch auszugsweise) nur mit Genehmigung der Steinbach International GmbH. Diese Druckschrift, einschließlich aller ihrer Teile, ist urheberrechtlich geschützt. Jede Verwertung außerhalb der engen Grenzen des Urheberrechts ist ohne Zustimmung der Steinbach International GmbH unzulässig und strafbar. Das gilt insbesondere für Vervielfältigungen, Übersetzungen, Mikroverfilmungen und die Einspeisung und Verarbeitung in elektronischen Systemen.

Vertrieben durch



Steinbach International GmbH

L. Steinbach Platz 1,
AT-4311 Schwertberg



helpdesk.steinbach.at



Produktinformationen/ Product information/ Informations relatives au produit/ Informazioni sul prodotto/ Informacije o izdelku/ Informații despre produs/ Informace o výrobku/ Informacije o proizvodu/ Termékinformáció/ Informácie o výrobku/ Продуктова информация/ Ürün bilgileri/ Informacje o produkcie/ Información sobre el producto

steinbach-group.com



Pool Control App



Ersatzteile/ Spare parts/ Pièces de rechange/ Parti di ricambio/ Nadomestni deli/ Piese de schimb/ Náhradní díly/ Zamjenski dijelovi/ Pótalkatrészek/ Náhradné diely/ Резервни части/ Yedek parçalar/ Części zamiennie/ Piezas de recambio

steinbach-group.com/de/ersatzteile