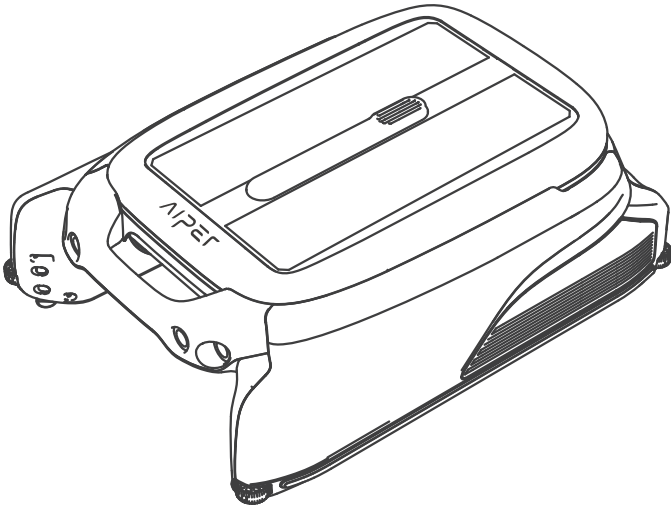


AIPER®

— bring vacation home —

ROBOTIC POOL SKIMMER User Manual

Aiper Surfer S1/M1



Thank you for choosing Aiper.

You' ve now joined a family of millions who have already put their trust in Aiper to take care of their pools and are enjoying the convenience of a pristinely clean pool.

This user manual will help you maintain your Aiper Pool Skimmer and ensure it performs at its maximum efficiency for years to come. Please take a few minutes to read through this manual.

If you have any questions, please visit our website at www.aiper.com and contact our customer service team for assistance or more information.

Aiper Customer Service:

Email: service@aiper.com

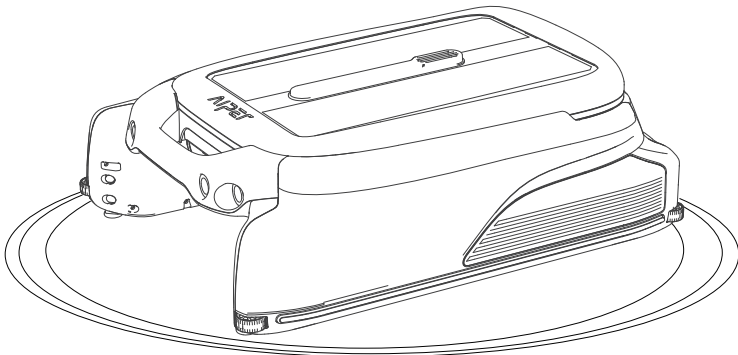
Facebook: [@AiperOfficial](https://www.facebook.com/AiperOfficial)



Scan for
Video Guide



Scan the QR
Code to Access
Customer Support



English

CONTENTS

Important Safety Precautions ----- 4

1. Structure ----- 6

2. Specifications & Working Conditions ----- 8

3. Operations ----- 9

4. App and Network Configuration ----- 12

5. Operating Instructions----- 15

6. Maintenance & Storage ----- 17

7. Troubleshooting Solutions ----- 21

8. Packing List----- 22

9. Warranty ----- 22

Important Safety Precautions

Please read this manual carefully and use your Aiper device in accordance with the manual instructions. Aiper is not liable for any losses or injuries caused by improper use of this device.

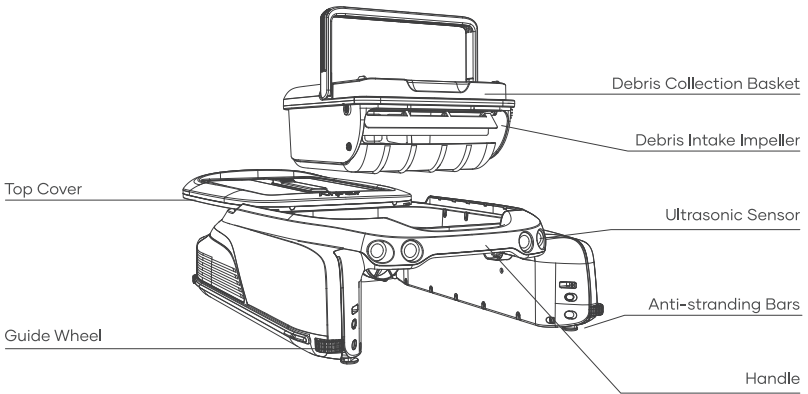
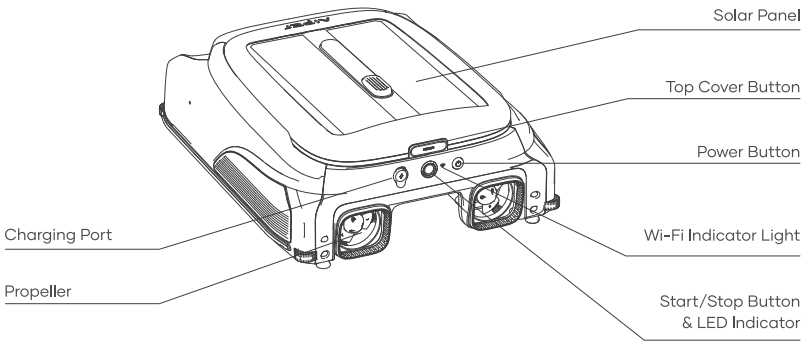
For your safety and optimal performance of this device, please read and follow the following suggestions.

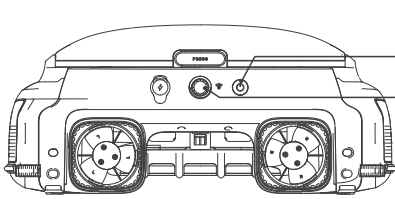
1. Do not operate your Aiper device while people or animals are in the pool.
2. Turn the device off while not in use or while performing maintenance.
3. Do not allow children to ride the device under any circumstances. Please supervise children when they are around an operational Aiper.
4. Use only authorized Aiper power adapters.
5. The adapter cord should only be replaced by a qualified electrician or Aiper Customer Care.
6. It's suggested to plug the power adapter into a power strip or surge protector and not directly into an electrical outlet.
7. Ensure your device is powered off and the charging port is dry before via adapter charging. While charging, your Aiper should be kept in a cool, well-ventilated area. Do not cover your Aiper while charging, as this may cause components to overheat.
8. Please store the machine indoors or in a cool place when not in use.
9. Do not run your Aiper out of the water as it may lead to over-heating.
10. Only certified professionals should disassemble the sealed driving kit of your Aiper.
11. Do not operate the device and pool filter simultaneously.
12. Watch your steps and maintain balance when working near the poolside.

13. Do not drop, pierce the shell, or intentionally damage the device in any way, as this may void your warranty.
14. When putting your device into the water, the front of the machine must face upwards and should never be placed upside down or thrown into the swimming pool.
15. Do not charge the device while the charging port is wet.
16. Do not use your Aiper device and another pool skimmer simultaneously.
17. Do not wash the solar panel using a pressure washer as this may damage the panel.
18. When the device is running, do not put your hands into any part of the device as this may result in injury.

Please read this user manual carefully before operating the device.

1. Structure





- Power Button:**
Press and hold the Power Button for 2 seconds to turn on/off the device.
- Start/Stop Button & LED Indicator:**
Press Once: Start/Stop Cleaning
Press and hold the Power Button for 10 seconds to restore factory settings

LED Indicator:

Status	LED Indicator	Meaning
Working	Solid Blue Light	The device is operating normally and charging through the solar panel.
	Blue Light Flashing Slowly	The device is operating normally but not charging through the solar panel.
	Solid Yellow Lights	Low battery. The device is operating intermittently and is charging via the solar panel.
	Yellow Light Flashing Slowly	Low battery. The device is operating intermittently but is not charging via the solar panel.
	Flashing Red Light	A fault has occurred (see the Troubleshooting Solutions for details).
	Light Off	Powered off.
Adapter Charging	Solid Blue Light	The battery is fully charged.
	Pulsing Blue Light	Charging in progress, battery level above 30%.
	Pulsing Yellow Light	Charging in progress, battery level below 30%.
	Pulsing Red Light	Charging in progress. The battery level is too low for the device to operate.

Wi-Fi Indicator Light:

Wi-Fi Light Status	Meaning
Flashing Blue Light	Starting network configuration / network configuration in progress.
Solid Blue Light	Network connected.
Off	Network not connected.

2. Specifications & Working Conditions

1. Pool Size: This device works in most household pools, with exception to infinity pools and pools made of glass.
2. Charger Input: 100-240V,60/50Hz,0.8A
3. Charger Output: 12.6V/1.8A
4. Charging Time: 4 Hours
5. Battery Life: Up to 10 Hours
6. IP Grade: IPX7 Waterproof
7. Battery Pack: 4000mAh
8. Battery Pack Voltage: 10.8V
9. Water Depth: Above 7 Inches
10. Frequency Range: 2412~2484 MHZ
11. Maximum Radio Frequency Emission Power: 20.5dBm

CAUTION:

Your Aiper Pool Skimmer is best used in the water conditions detailed below.

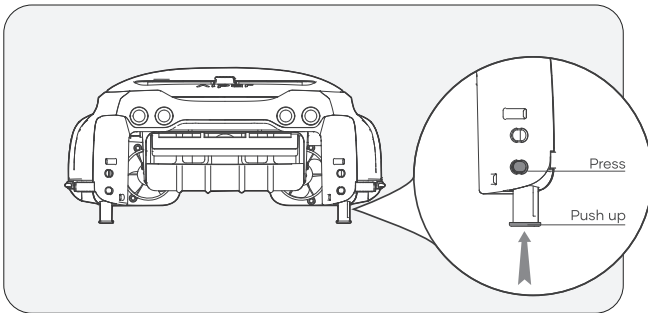
- Temperature: 50-95°F (10-35°C)
- pH Value: 7.0-7.4
- Chlorine: Maximum 4 ppm
- NaCl: Maximum 6500 ppm

3. Operations

A. Using the Anti-stranding Bars

- When to use: If there are shallow stairs or other structures in your pool, the skimmer may become stuck on these obstacles. You can adjust the built-in anti-stranding bars to prevent this.
- How to Use: Press the upper button on the bar housing and pull down the bars. Adjust them in pairs - both front and/or both rear to keep the device balanced. To return the bars to their housing, press the associated button and press up on the bars until they lock into place.

Large picture of anti-grounding bar



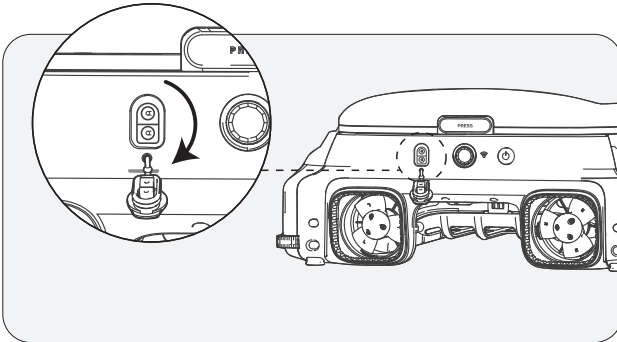
B. Charging

There are two charging methods available:

- 1) Solar Charging: After turning on the device, place it in sunlight and the device will automatically charge.
- 2) Charging by adaptor: Without sufficient sunlight, your devices solar panel may not be efficient for charging. Charging port on device allows you to always be in control of your clean and gives you an alternative charging method.

Notes:

- If the device does not power on when pressing and holding the Power Button for 2 seconds upon first use, please charge it with the DC Adapter first.
- DC Adapter charging: The device will automatically turn on while using this method and will be turned off while unplug the adapter.
- Once fully charged or before use, disconnect the power adapter and close the charging port cover to prevent water from entering the device.

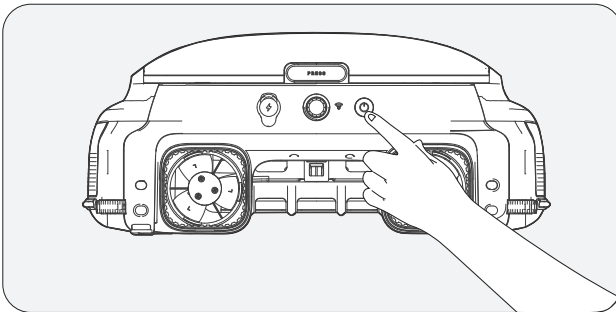


C. On/Off

- Power On: Press and hold the Power Button for 2 seconds.
- Power Off: Press and hold the Power Button for 2 seconds.
- When On: When in adequate sunlight, the solar panel will charge the device and the device will enter Standby Mode.
- Turning Off the Device: Will disconnect the device from the network and the solar panel will cease charging your device.

⚠ Please place the machine on a level surface before powering on

- The LED light will flash quickly upon startup. Wait until the LED light stays on steadily before submerging the machine in water.



4. App and Network Configuration

- To remotely view and control your device using the Aiper App, please ensure the device in range with sufficient network coverage, otherwise remote access may be unavailable.
- App control is optional and requires network configuration for access. Device can be operated for pool cleaning without app connectivity.

A. Download the Aiper App

Download or update the "Aiper" app from the App Store or Google Play Store.

B. Network Configuration

- 1) The Aiper App is compatible with the following smart devices:
 - Apple (iOS) Version 12 and up – iPhone, iPad.
 - Android Version 8.0 and up operating systems.
- 2) Ensure that your smart device (phone/tablet) has been connected to your home/pool Wi-Fi network.
- 3) Ensure your smart device (phone/tablet) Bluetooth has been enabled.
- 4) Ensure your router supports 2.4Ghz Wi-Fi frequency.
- 5) Keep your phone close to the machine (within 20 feet) for better connection with device.

C. Create an Account

- 1) When using the Aiper App for the first time, tap the "Sign In" button on the login page to create an account.
- 2) Select your region, enter your email, and tap "Continue" to proceed.
- 3) Follow the page prompts to enter the verification code in the email and set your account password.
- 4) Tap "Confirm" and agree to the User Agreement and Privacy Agreement to complete account creation.

D. Log in to the App

- 1) Tap the "Log in" button on the home page to log in to your account.
- 2) Enter your email and password, and then tap "Log in" to log in to the Aiper app.

E. Add Device/ Configure Network

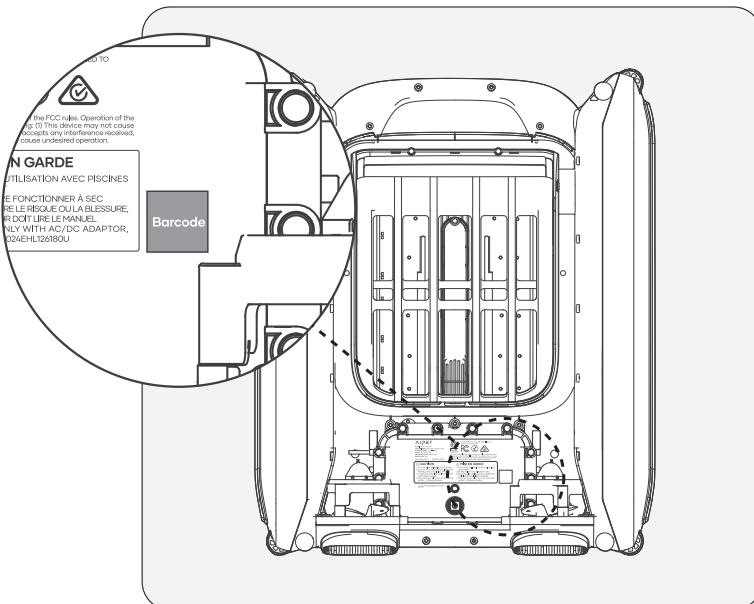
Choose any of the following network configuration methods:

1) Adding via Bluetooth

- Tap the "Add" button in the device list to add and link the device and start network configuration.
- Follow the app prompts to complete Bluetooth pairing, and then start network configuration.

2) Adding via Code

- If your phone cannot detect the Bluetooth signal of the device and you fail to add the device via Bluetooth, you can add its Wi-Fi by scanning its barcode.



- Tap "Add via Code" to start configuring your device to the network via the code.
- Follow the prompts to scan the barcode on the device.
- Tap "Set Now" and connect to the device's Wi-Fi in the system settings following the app prompts.
- After successful connection, tap Next to start network configuration.

3) Manual Configuration

- Manual Configuration must be completed within 10 minutes of device startup. Otherwise the system will need to be restarted.
- If you fail to add the device via the QR code, you can manually select the device type to add the device's Wi-Fi.
- Tap to select the device type.
- Select the corresponding device model and tap 'Add'.
- Tap "Set Now" and connect to the device's Wi-Fi in the system settings following the app prompts.
- Follow the prompts to complete Bluetooth pairing, and then start network configuration.

App Troubleshooting

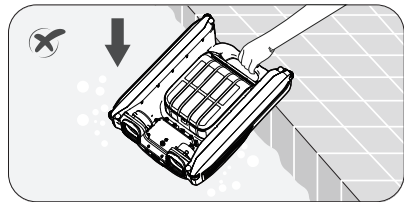
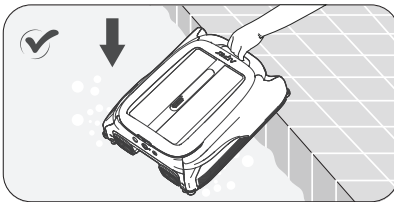
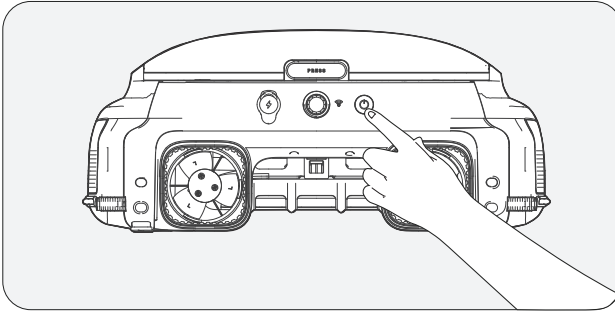
"Device not found"	The APP cannot establish connection with the device.	<ul style="list-style-type: none"> - Ensure the device is turned on. - Ensure the connection is not pending. If the LED indicator is flashing, reset the devices Wi-Fi. - The device is too far away from your router. Adjust your router's position or install a Wi-Fi extender at home to ensure Wi-Fi coverage for the device.
"Network configuration failed"	<ul style="list-style-type: none"> - Incorrect Wi-Fi password. - Wi-Fi is 5GHz. - Wi-Fi network signal is too weak. 	<ul style="list-style-type: none"> - The device is too far away from your router. Adjust your router's position or install a Wi-Fi extender at home to ensure Wi-Fi coverage for the device.

5. Operating Instructions

A. Automatic Cleaning Mode

When the device is on, press the Start/Stop button once on the device or in the app to Start/Stop automatic cleaning mode. In the Automatic Cleaning mode, the device operates automatically and will be charged by the solar panel on sunny days.

- By default, the device operates in the automatic cleaning mode.



To remove the device from the water, you can use the Aiper App to manually pilot the device to the edge of your pool for pickup or wait until the device reaches the edge of the pool and lift it out by the handle.

C. Remote Mode (only supports operation within the Aiper App)

You can use the Remote Mode in the Aiper App to manually pilot the device to move forward, backward, left, and right. If, in Remote Mode, the device idles for three minutes, it will revert to its previous mode.

D. Intermittent Mode

When the battery level is low, the LED Indicator will turn yellow. The device will operate intermittently and continue working once the battery level recovers.

- **Important Information About Intermittent Mode:** If sunlight is weak and the solar charging rate falls below the device's power usage rate, it will automatically shut down due to insufficient power. However, there's no need for manual intervention.

The device will recharge itself using the solar panel once the sun is out again the next day and will resume operation automatically.

E. Detect Water Temperature (only available in the Aiper App)

When the device is connected to your smart device, users may access their pools water temperature within the App.

F. Restore Factory Settings

To restore factory settings, press and hold the Power button for 10 seconds. This action will clear all data from the device, including network configurations and cleaning records.

6. Maintenance & Storage

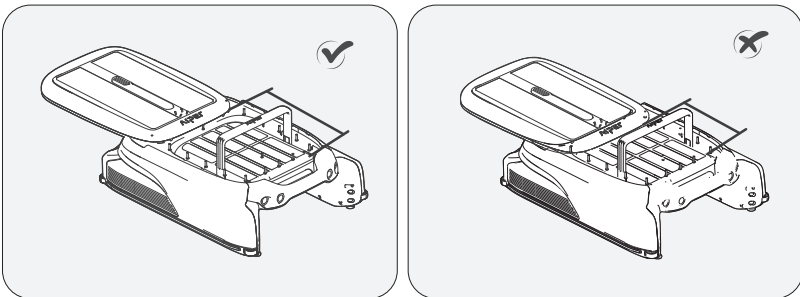
Clean out the debris collection basket every 2-3 days to keep the device running at high efficiency.

A. Cleaning the Debris Collection Basket

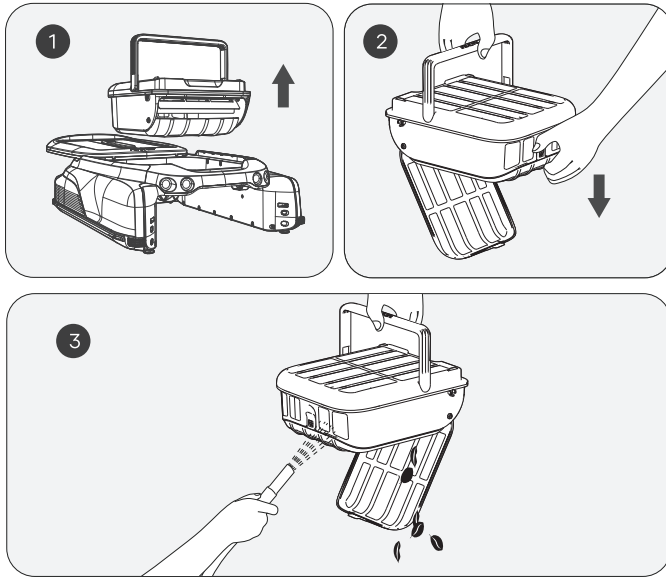
1) Grasp the handle of the device to lift it out of the pool, placing it on a flat surface.

Hold the device's handle with one hand (to prevent injury during operation), press the button on the solar panel cover with the other hand, and push the solar panel cover back.

- Pull the cover to the back end, otherwise it will affect the removal of the debris bin.
- The handle of the debris collection basket will pop up automatically. Please do not bring your head too close to avoid being hit by the pop-up handle.



2) Lift the handle of the debris collection basket to remove it from the device. Empty the bin and use a high-pressure water gun or hose to rinse the debris collection basket until completely clean.



3) Put the debris collection basket back into the device and push the top cover back to its original position. Ensure the cover is pushed into place to prevent it from slipping when lifting.

Please note that the handle on the cover of the debris collection basket will automatically return to its original position with the top cover in place.

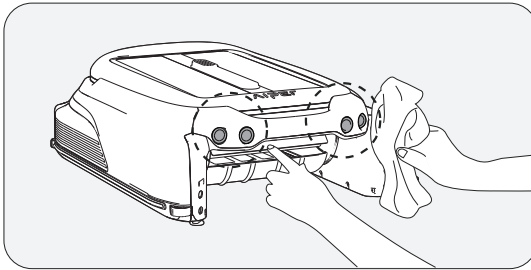
B. Cleaning the Solar Panel

You may see some white residue on the solar panel, which are chemicals and minerals from your pools water. Rinse the residue on the solar panel with clean water and wipe it clean with a soft, dry cloth.

WARNING: Do not use a high-pressure washer or any tool to scrape the solar panel as this may damage the device and void your warranty.

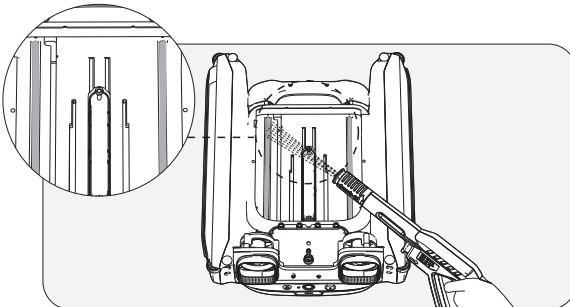
C. Cleaning the Ultrasonic Sensor

Please use a soft, dry cloth to clean the ultrasonic sensor to prevent it from being obstructed by dirt.



D. Cleaning the Slide Rails

When the top cover is hard to slide, there might be dirt or debris in the slide rail. Please flip the device over carefully and rinse the slide rail with a high-pressure water gun.



E. Storing Your Device

When winter comes or when the skimmer has not been used for more than a month, you can use the following methods to storing your device:

- 1). Ensure the device is not in low battery mode (LED Indicator shows a solid blue light).
- 2). Press and hold the Power Button for 2 seconds to turn it off.
- 3). Clean the device with a dry cloth.
- 4). Store in a cool, dry, indoor area away from high temperatures.
- 5). Fully charge the device before next use.
- 6). In order to better extend the life of the machine, you can use the DC Adapter to charge the machine once every 2 month.

7. Troubleshooting Solutions

Note: The solar panel can only operate to charge the device when the device is turned on.

When the device malfunctions, a red LED indicator light on the device will flash with the buzzer alarming, and the app will display the fault. You can attempt to troubleshoot the fault following the instructions in the FAQ or the prompts in the Aiper App or contact after-sales service.

8. Packing List

NO.	Name	Model	QTY(pc)
1	Skimmer	Aiper Surfer S1/M1	1
2	Charger	/	1
3	User Manual	/	1
4	Debris Collection Basket	/	1

9. Warranty

This product has passed all quality control and safety tests, conducted by technical department of the factory.

1. This product comes with a warranty that covers your item's battery and motor from the date of purchase. The respective country's legal provisions for warranty conditions shall apply accordingly.
2. This warranty is voided if the product has been altered, misused, or has been repaired by unauthorized personnels.
3. The warranty extends only to manufacturing defects and does not cover any damage resulting from mishandling of the product by the owner.
4. The order number or record must be presented for any claim or repair during the warranty period.
5. This is an additional warranty offered by AIPER INTELLIGENT SARL. at 43-47 avenue de la Grande Armée, 75116 Paris, France. This warranty does not affect the free of charge remedies for lack of conformity that the consumer holds against the seller, according to law.
6. Warranty Email: service@aiper.com

Declaration of Conformity (CE)



Aiper hereby declares that this product complies with all the requirements of the applicable EU directives 2014/53/EU & 2011/65/EU & (EU) 2015/863 & (EC) No.1907/2006. – You'll find the full text of the Declaration of Conformity, available at this QR code.

The EU declaration of conformity can be requested via the address below:
 AIPER INTELLIGENT SARL
 43-47 avenue de la Grande Armée, 75116 Paris, France



Points de collecte sur www.quefairede mesdechets.fr
 Privilégiez la réparation ou le don de votre appareil !

Points de collecte sur www.quefairede mesdechets.fr
 Privilégiez la réparation ou le don de votre appareil !



This symbol indicates that this product shall not be treated as household waste. Instead it shall be handed over to the applicable collection point for the recycling of electrical and electronic equipment.

AIPEER®

— bring vacation home —



www.aiper.com