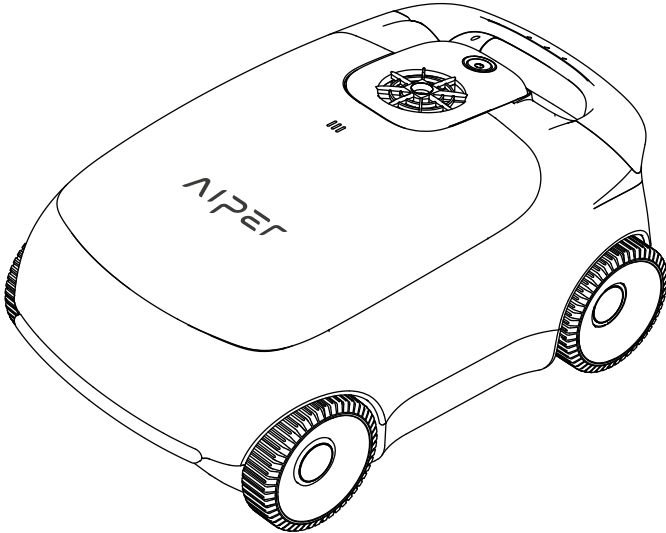


AIPER®

— bring vacation home —

ROBOTIC POOL CLEANER User Manual

Aiper Scuba E1



Thank you for choosing Aiper.

You've now joined a family of millions who have already put their trust in Aiper to take care of their pools and are enjoying the convenience of a pristinely clean pool.

This user manual will help you maintain your aiper pool cleaner and ensure it performs at its maximum efficiency for years to come. Please take a few minutes to read through this manual.

If you have any questions, please visit our website at www.aiper.com and contact our customer service team for assistance or more information.

Aiper Customer Service:

Email: service@aiper.com

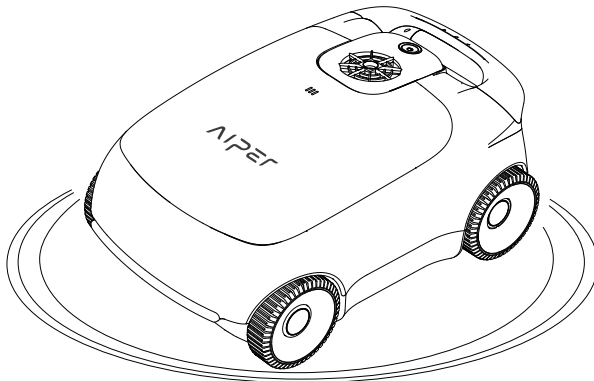
Facebook: [@AiperOfficial](https://www.facebook.com/AiperOfficial)



Scan for
Video Guide



Scan the QR Code
to Access Customer
Support



English

CONTENTS

Important Safety Precautions	3
1. Structure	4
2. Specifications & Working Conditions	5
3. Charging	6
4. Using Your Aiper Pool Cleaner	7
5. Operating Your Device	7
6. Disassembly and Cleaning	10
7. Maintenance	15
8. LED Indicator	20
9. Packing List	21
10. Warranty	21

Important Safety Precautions

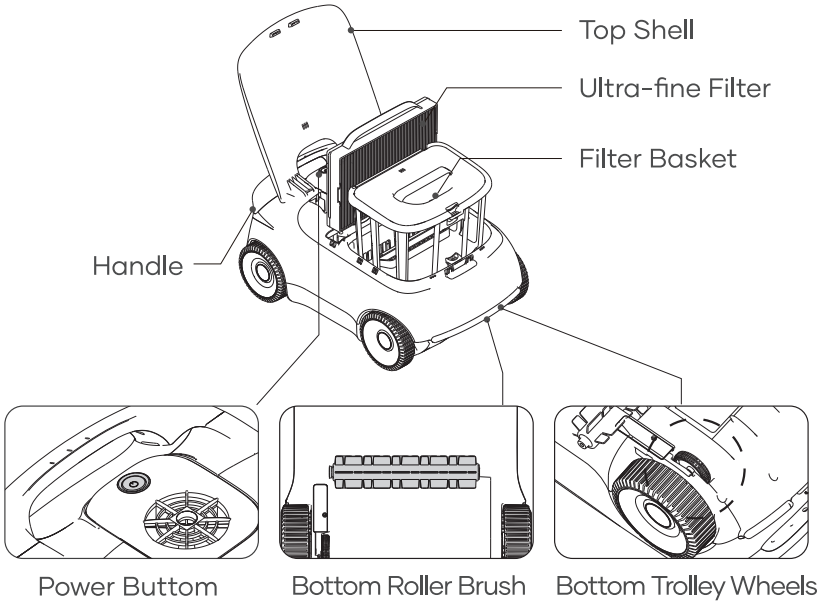
Please read this manual carefully and use your device in accordance with the manual instructions. Aiper is not liable for any losses or injuries caused by improper use of this device.

For your safety and optimal performance of this device, please read and follow the following suggestions.

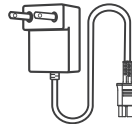
1. Do not operate your device while people or animals are in the pool.
2. Turn the cleaner off while not in use or while performing maintenance.
3. Do not allow children to ride the device under any circumstances. Please supervise children when they are around an operational device.
4. Use only authorized Aiper power adapters.
5. The adapter cord should only be replaced by a qualified electrician or Aiper Customer Care.
6. It's suggested to plug the power adapter into a power strip or surge protector and not directly into an electrical outlet.
7. Ensure your device is powered off and the charging port is dry before charging. While charging, your device should be kept in a cool place. Do not cover your device while charging as this may cause components to overheat.
8. Please store the machine indoors or in a cool place when not in use.
9. Do not run your device out of the water as it may lead to overheating.
10. Only certified professionals should disassemble the sealed driving kit of your device.
11. Do not operate your device and pool filter simultaneously.
12. The oil sealing around the motor contains grease, which may cause a small amount of water pollution if the motor is damaged. If you believe there is a leak, stop using the unit immediately.
13. Do not pierce the shell of your device, throw, or damage the cleaner intentionally.
14. When putting your device into the water, the front of the machine must face upwards and should never be placed upside down or directly thrown into the swimming pool.

Please read this user manual carefully before operating the device.

1. Structure



Retrieval Hook



Charger

2. Specifications & Working Conditions

1. Pool Size: 1100 Sq.ft/100m², flat-bottom
2. Charger Input: 100-240V, 50/60Hz, 1.5A
3. Charger Output: 12.6V/3.5A
4. Charging Time: 4 Hours
5. Battery Life: 100 Minutes
6. IP Grade: IPX8 Waterproof
7. Water Depth: 1.6-10ft(0.5-3m)
8. Motor Power: 38W
9. Battery Pack: 7800mAh
10. Battery Pack Voltage: 10.8V

CAUTION:

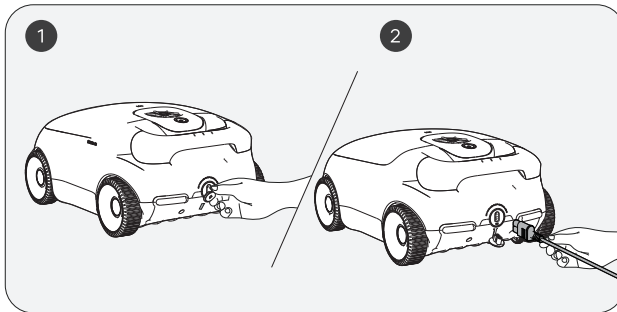
Do not use the device in a pool environment beyond the conditions described below, doing so may cause damage to the device that will not be covered by warranty.

- Temperature: 50-95°F (10-35°C)
- pH Value: 7.0-7.4
- Chlorine: Maximum 4 ppm
- NaCl: Maximum 5000 ppm

3. Charging

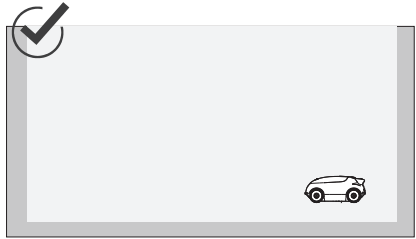
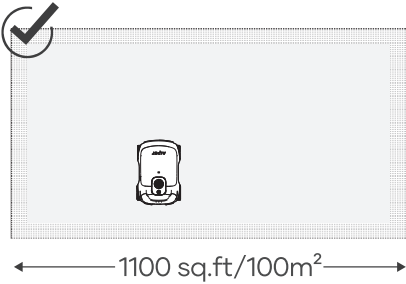
CAUTION: Do not charge the device in direct sunlight.

- a. Fully charge the device before using it to clean the pool.
- b. Before charging, remove the charging port cover to check if there is any residual water in the charging port. If so, wipe dry the charging port first.
- c. Insert the charging cable into the charging port of the device and then into an available electrical outlet. The LED indicator on the device will start to pulse, indicating that the device is being charged. When it is fully charged, the LED will remain on.



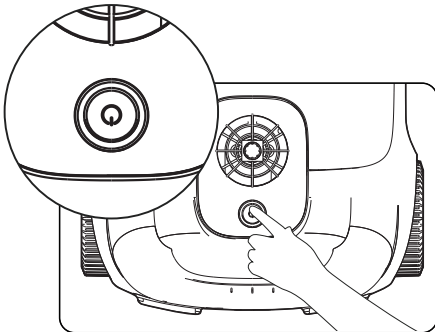
4. Using Your Aiper Pool Cleaner

a. This device is designed to clean swimming pools that have flat floors and no slopes up to 1100 sq.ft/100m².

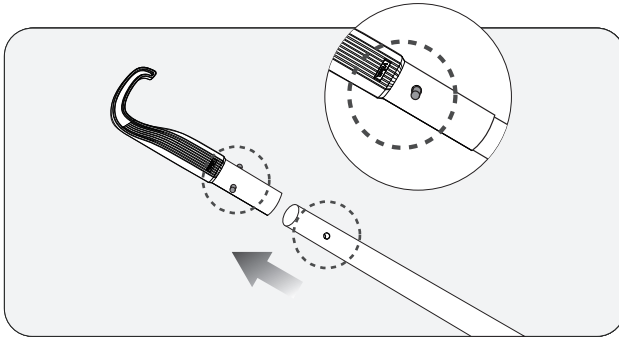


5. Operating Your Device

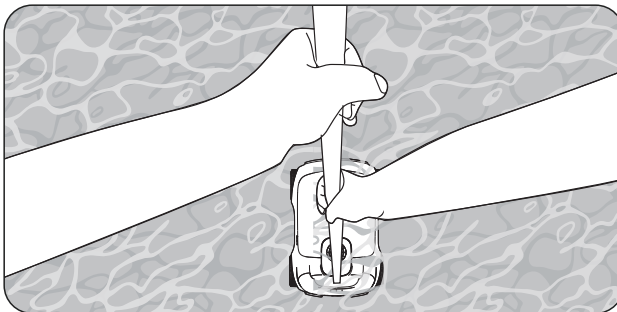
a. Press and hold the Power button for 2s to turn on/off the device.



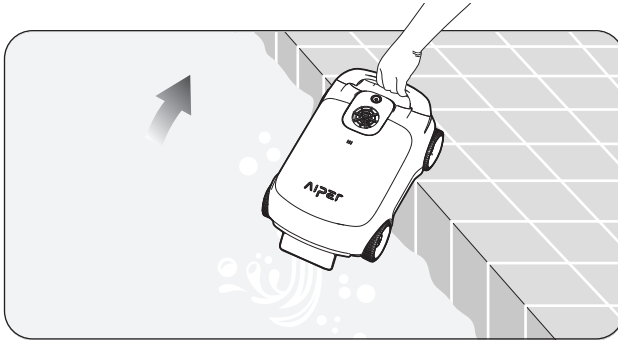
- b. Once turned on, the device will rotate its water pump for 1s every 10s, 3 times in total, to check if it has been put into the pool. If the device fails to detect water during this process, it will automatically shut down. The device will start cleaning soon after reaching the pool floor.
- c. When the battery level is low, the device will automatically dock by the pool and stop cleaning.
- d. Lift the device from the pool floor with a hook to prevent getting wet. Users can connect the hook to any standard pool cleaning rod (not included) to extend the reach of the hook.



- e. Hook the device's handle and lift the device out of the water.



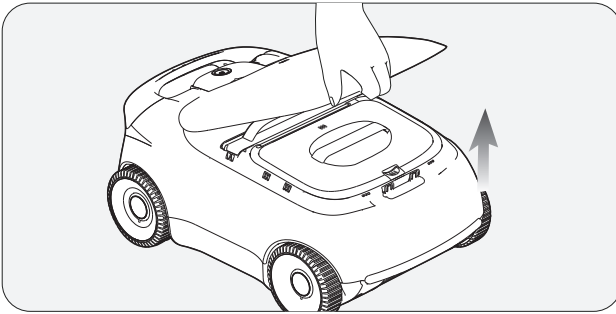
f. Hold the handle and allow the device to drain any stored water.



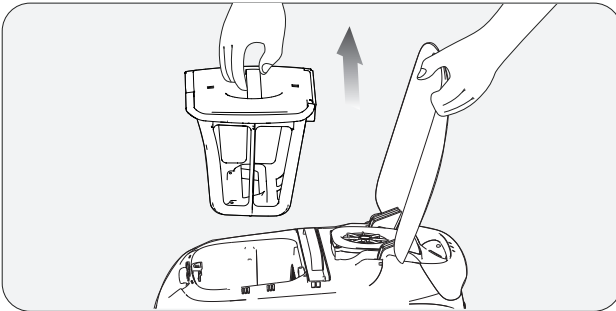
6. Disassembly and Cleaning

6.1 Cleaning the filter basket

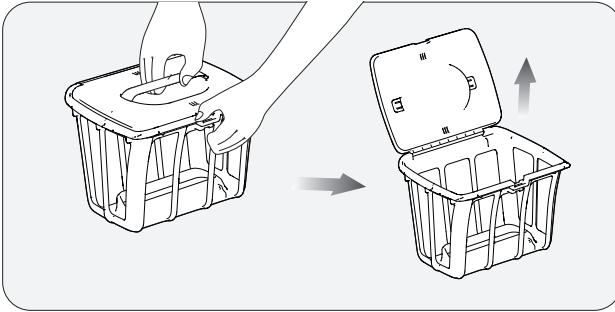
- Set aside the device in a safe, secure location and remove the top shell. Ensure the device is stable before removing the top shell.
 - Steady the machine lift the top shell to open it.



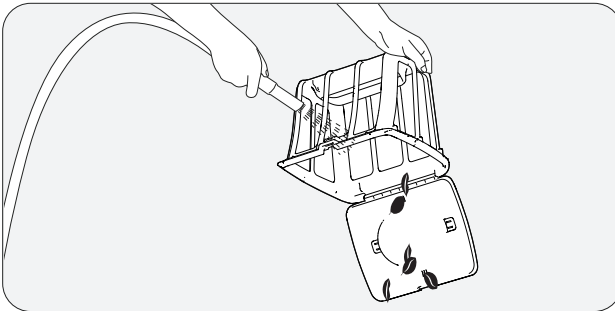
- Remove the filter basket by lifting its handle.



- c. Press the top shells latch of the filter basket and at the same time pull up on the top cover handle to open the filter basket.

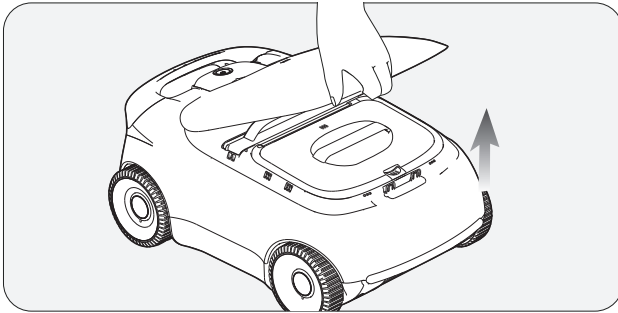


- d. Empty the filter basket, rinse, and replace the filter basket back into the device.

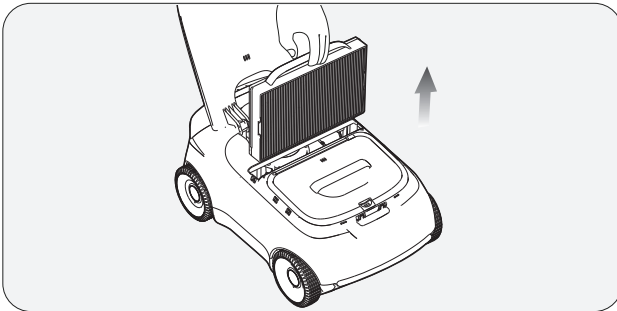


6.2 Cleaning the ultra-fine filter

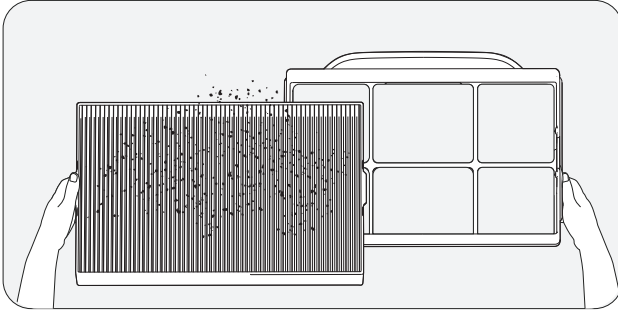
a. Set aside the device in a safe, secure location and open the top shell.



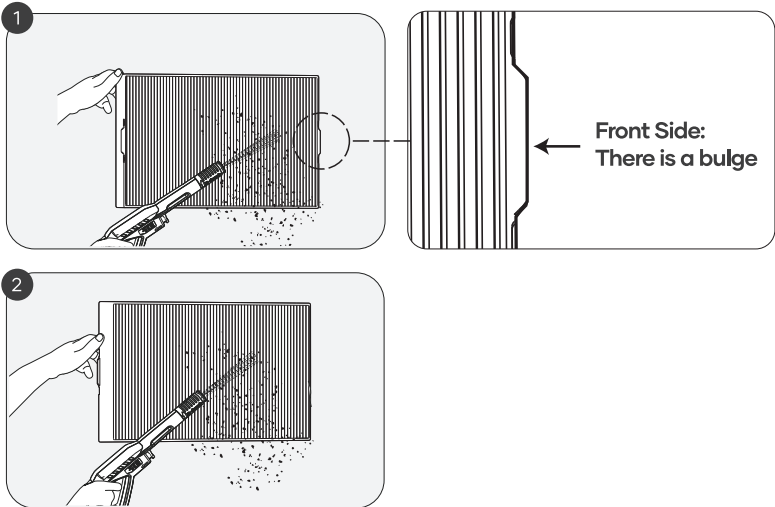
b. Then lift the handle of the ultra fine filter's frame to remove the ultra-fine filter assembly from the machine.



c. Remove the ultra-fine filter from its frame.



d. Place the ultra fine filter on the ground and rinse the front thoroughly and then the back with a high-pressure water gun. Ensure all folds and crevices are completely cleaned. After cleaning, let it air dry in a cool, ventilated spot to prevent mold and prepare it for future use.



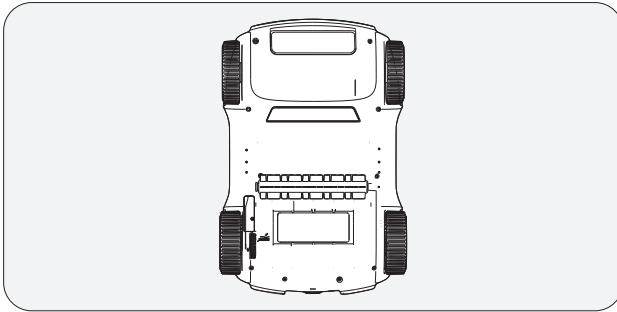
! Notes:

- a. Rinse cleans the ultra-fine filter after each use to prevent debris buildup and blockage.
- b. The ultra-fine filter can capture dust as small as 3 μm . Use it when there is little visible debris (such as stones, leaves, sand, fragments, and hair) but the water appears murky. Avoid using it when there is a lot of such debris.
- c. Lift the machine from the water after cleaning. Then, please rinse the ultra-fine filter promptly to avoid prolonged dirt accumulation which makes it hard to clean.
- d. Neutral detergents can be used for cleaning, but do not scrub the ultra-fine filter with a brush.
- e. Ultra-fine filter replacement schedule: As a consumable, it should be replaced every 4-6 weeks to ensure effective filtration.

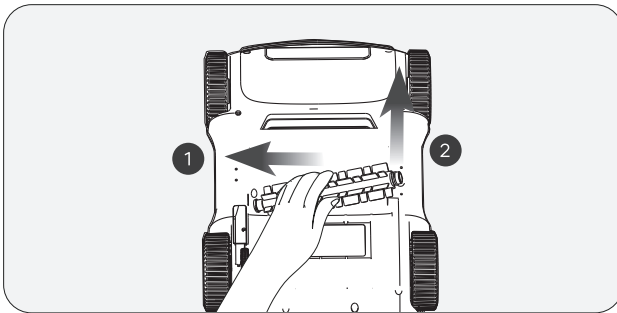
7. Maintenance

7.1 Cleaning/Replacing the bottom roller brush

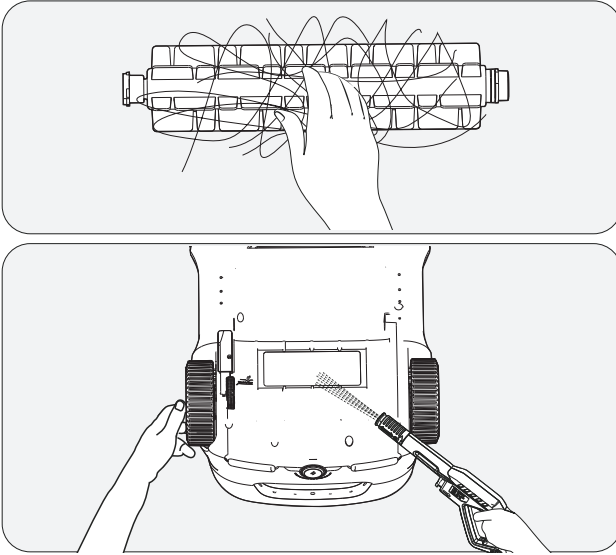
a. Position the device securely with its bottom facing upwards.



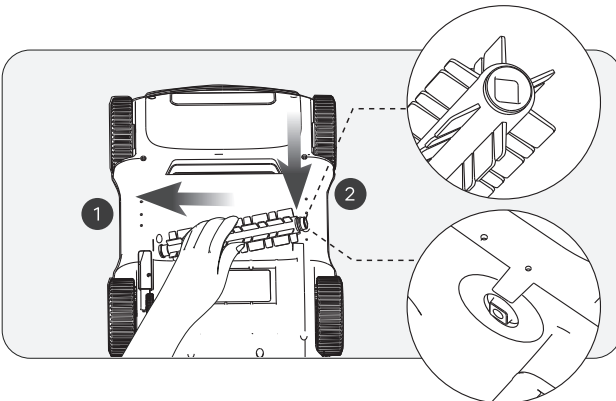
b. Hold the roller brush with one hand and support the machine with the other. Gently press down on the roller brush as indicated by the arrow in the diagram below and then lift to remove it.



- c. After removing the roller brush, clean any debris tangled in it and any residue left in the machine's brush compartment.



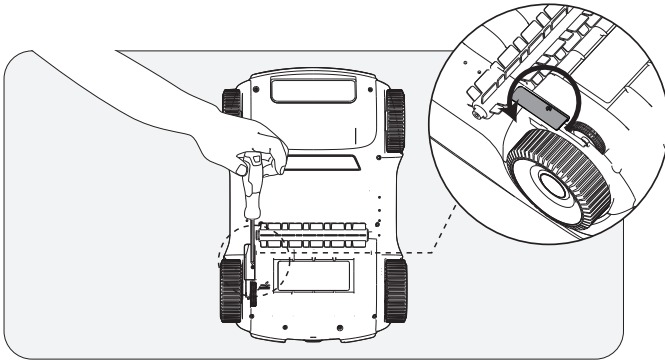
- d. After cleaning, reattach the roller brush. Check its secure fit by holding its center and pulling it outward. It should not detach if properly installed.



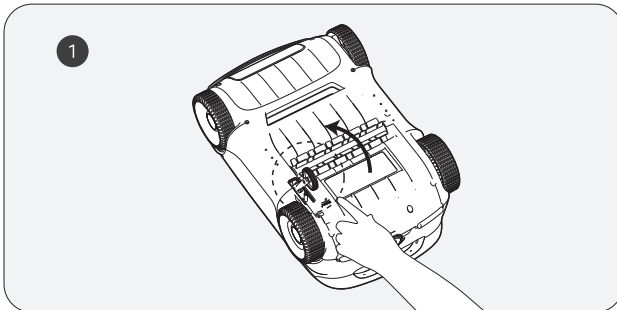
7.2 Cleaning/Replacing the bottom trolley wheels

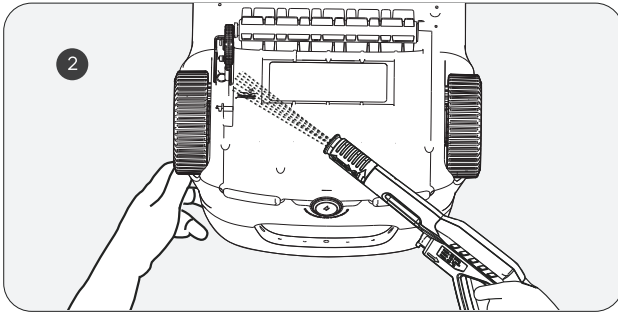
If the machine often changes direction unexpectedly, it may be due to the bottom trolley wheels being jammed. Please clean it as follows:

- a. Position the device securely with its bottom facing upwards.
- b. Unscrew the bottom trolley wheels.

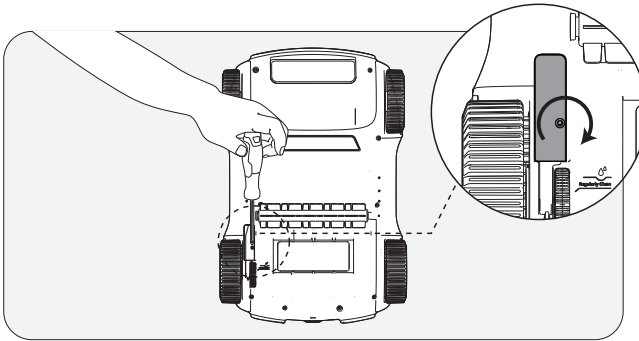


- c. Rinse away any dirt, sand, or debris from the inner crevices of the wheels. Be careful not to lose any internal parts, such as springs.



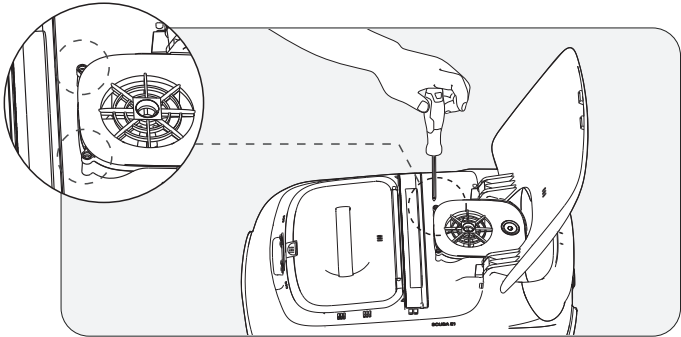


d. Reattach the wheels to the machine, ensuring the screws are tightly fastened.

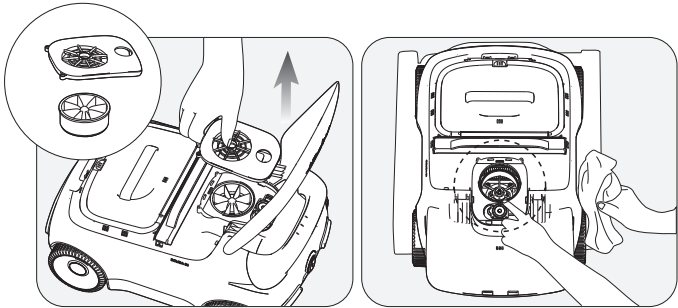


7.3 Cleaning the drain

a) Remove the screws and drain cover.



b. Remove any objects entangled in the drain's fan blades, and then re-install the drain cover and screws.



8. LED Indicator

Light Status	Device Status	Description	
Light is Pulsing	Charging	The LED colors indicate the battery level of the device.	Solid Blue Light: 100%
			Blue: > 50%
			Yellow: 50-15%
			Red: < 15%
Solid Light	Operating	The LED colors indicate the battery level of the device.	Blue: > 50%
			Yellow: 50-15%
			Red: < 15%
Red Light Flashes Rapidly	Device Malfunction	<ol style="list-style-type: none"> 1. The wheels, bottom brush, or drainage motor are jammed and need to be cleaned. 2. There is an anomaly in the motor. 	

9. Packing List

NO.	Name	Model	QTY(pc)
1	Cleaner	Aiper Scuba E1	1
2	Charger	/	1
3	Retrieval Hook	/	1
4	User Manual	/	1
5	Filter Basket	/	1
6	Ultra-fine Filter	/	1

10. Warranty

This product has passed all quality control and safety tests, conducted by the technical department of the factory.

1. This product comes with a warranty that covers your item's battery and motor from the date of purchase. The respective country's legal provisions for warranty conditions shall apply accordingly.
2. This warranty is voided if the product has been altered, misused, or has been repaired by unauthorized personnels.
3. The warranty extends only to manufacturing defects and does not cover any damage resulting from mishandling of the product by the owner.
4. The order number or record must be presented for any claim or repair during the warranty period.
5. This is an additional warranty offered by AIPER INTELLIGENT SARL. at 43-47 avenue de la Grande Armée, 75116 Paris, France. This warranty does not affect the free of charge remedies for lack of conformity that the consumer holds against the seller, according to law.
6. Warranty Email: service@aiper.com

Declaration of Conformity (CE)



Aiper hereby declares that this product complies with all the requirements of the applicable EU directives 2014/35/EU (LVD); 2014/30/EU (EMC); 2011/65/EU (RoHS) – You'll find the full text of the Declaration of Conformity, available at this QR code.



**ETICHETTATURA
AMBIENTALE
ENVIRONMENTAL
LABELLING**

The EU declaration of conformity can be requested via the address below:
AIPER INTELLIGENT SARL
43-47 avenue de la Grande Armée, 75116 Paris, France



Points de collecte sur www.quefairedesdechets.fr
Privilégiez la réparation ou le don de votre appareil !

Points de collecte sur www.quefairedesdechets.fr
Privilégiez la réparation ou le don de votre appareil !



This symbol indicates that this product shall not be treated as household waste. Instead it shall be handed over to the applicable collection point for the recycling of electrical and electronic equipment.

AIPER®

— bring vacation home —

www.aiper.com