

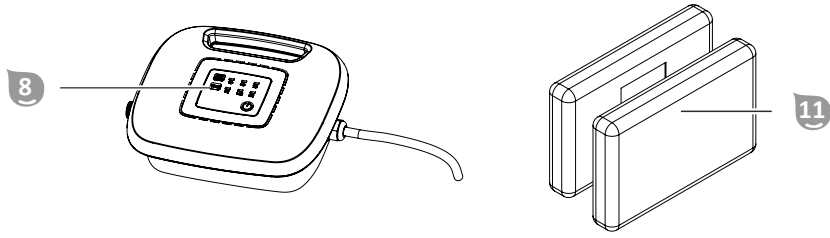
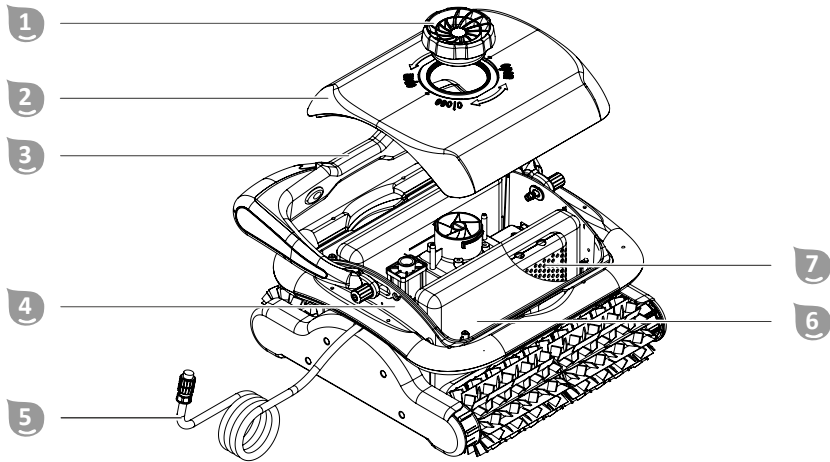
Originalbetriebsanleitung / Original owner's manual / Notice originale / Istruzioni originali / Manual original / Původní návod k používání / Eredeti használati utasítás / Izvirna navodila / Pôvodný návod na použitie / Instrukcja oryginalna / Instrucțiuni originale / Originalne upute / Оригинална инструкция / Oriđinal kullanim talimatları

Schwimmbadreiniger

Twin



de	Schwimmbadreiniger.....	4	en	Pool cleaner.....	28
fr	Nettoyeur de piscine.....	51	it	Pulitore per piscina.....	75
es	Limpiafondos de piscina.....	99	cs	Čistič bazénů.....	123
hu	Úszómedence tisztító.....	146	sl	Čistilnik bazena.....	170
sk	Čistič bazénu.....	193	pl	Odkurzacz basenowy.....	216
ro	Dispozitiv de curățare a piscinei.....	240	hr	Čistač bazena.....	264
bg	Уред за почистване на басейни.....	287	tr	Yüzme havuzu temizleyicisi.....	313



Package contents/ components

- 1 Fixing screw
 - 2 Top part
 - 3 Handle
 - 4 Bottom part
 - 5 Floating cable
 - 6 Plastic filter bag, 2x
 - 7 Filter unit, 2x
 - 8 Control unit
 - 9 Buoyancy aid, 4x
 - 10 Safety rope
 - 11 Fleece filter bag, 2x
- Operating instructions (without illustration)

Contents

Overview	2
Package contents/components	27
General Information	29
Explanation of Symbols	29
Safety	30
Unpacking and checking the package contents	33
Description	34
Description of the pool cleaner.....	34
Functions of the control unit.....	34
Operation	35
Cleaning the pool.....	35
Switching off the device.....	39
Cleaning	40
Cleaning the device.....	41
Storage	42
Troubleshooting	43
Technical data	46
Spare parts	47
Declaration of Conformity	49
Disposal	49

General Information

Read and keep the operating instructions



These operating instructions are part of the "Twin" pool cleaner (in the following also called "device"). It contains important information about startup and operation.

Read the operating instructions and especially the safety instructions carefully before using the device. Non-observance of these operating instructions can lead to severe injuries or damage to the device.

The operating instructions are based on the standards and regulations in effect in the European Union. Also observe country-specific directives and laws abroad.

Keep the operating instructions for further use. If you pass on the device to a third party, you must pass on these operating instructions as well.

Intended use

This device is exclusively designed to clean private pools. The device is not suited for pools with liners with a liner thickness of less than 0.4 mm. The device is not suited for overflow pools, stainless steel pools or tiled pools and also not for pools with an air ring. The device is not suited for pools with an installed ladder.

This product is exclusively intended for private use and not suited for the commercial sector. Only use the device as described in these operating instructions. Any other use is considered inappropriate and may lead to material damage or even injury. The device is not a toy.

The manufacturer or retailer will not assume any liability for damage caused by inappropriate or incorrect use.

Explanation of Symbols

The following symbols are used in these operating instructions, on the device or on the packaging.



This symbol provides you with useful additional information on handling and use.



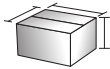
Products marked with this symbol meet all the applicable Community regulations of the European Economic Area.



Never use a sharp knife or other pointed object to open the packaging. You may damage the contents.



Weight of the packaging unit.



Dimensions of the packaging unit.

Safety

The following signal words are used in this user manual.

⚠ WARNING!

This signal symbol/word denotes a hazard with an average risk level that could lead to death or severe injury if it is not avoided.

⚠ CAUTION!

This signal symbol/word denotes a hazard with a low risk level that could lead to mild or moderate injury if it is not avoided.

NOTICE!

This signal word provides a warning about potential material damage.

General safety instructions

⚠ WARNING!

Risk of electric shock!

Faulty electric installation or excess mains voltage can cause an electric shock.

- Only connect the power cable if the mains voltage of the socket matches that on the type plate.
- Only connect the power cable to an easily accessible socket so that you can quickly disconnect it in the case of a fault.
- Only connect the power cable to a grounded socket.
- Only operate the device on a grounded socket secured with at least 16A.
- The device must be powered via a residual current device with a rated residual current of at most 30 mA.
- Do not operate the device if it shows visible damage or if the power cable is defective.

- Do not open the device; leave repairs to an expert. Contact the service address on the back of the instruction manual for this purpose. All liability and warranty claims will be void in the case of arbitrary repairs, improper connection or wrong operation.
- Never touch the power cable with wet hands.
- Never pull the power cable out of the socket by the cable; always hold it by the plug.
- Never use the power cable as a carrier handle.
- Keep the device and the power cable away from naked flames and hot surfaces.
- Do not place any objects on the power cable.
- Do not bury the power cable.
- Route the power cable such that no one can trip over it.
- Do not kink the power cable and do not place it over sharp edges.
- Do not use the device during a thunderstorm. Switch it off and pull the power cable out of the socket.
- Always switch off the device and disconnect it from the power supply if you are not using the device, when cleaning it or in the case of a fault.
- Only components that meet the original device data must be used for repair. There are electric and mechanical components in this device that are indispensable for hazard protection.
- Only use spare parts and accessory parts supplied or recommended by the manufacturer. All warranty claims will be void when using third-party components.
- Do not operate the device with an external timer or a separate remote system.

NOTICE!

- Only use the supplied control unit that matches your device.

- Never let the device run outside of the water as this can cause damage even after a short time.

Safety instructions for persons

⚠ WARNING!

Danger to children and persons with reduced physical, sensory or mental capacities (such as partially disabled persons/older persons with reduced physical and mental capacities) or persons lacking experience and knowledge (such as older children).

Improper handling of the device can lead to severe injury or damage to the device.

- Only allow others to access the device after they have read and comprehended the entire manual or have been instructed about the intended use and the associated risks.
- Never let persons with reduced physical, sensory or mental capacities (such as children or drunk people) or a lack of experience and knowledge unsupervised near the device.
- Never allow children and persons with limited physical, sensory or mental capacities or persons lacking the respective experience and knowledge to operate the device.
- Do not let children clean or service the device.
- Children are not allowed to play with the device or with the power cable.
- Do not operate the device under the influence of drugs, alcohol or medication or if you are tired.

⚠ WARNING!

Risk of injury through insufficient qualification!

Insufficient experience or skills for handling the required tools and insufficient knowledge of regional or normative regulations for the required work can lead to severe injuries or material damage.

- Assign all work whose risks you cannot estimate due to insufficient personal experience to a qualified expert.

Unpacking and checking the package contents

NOTICE!

Careless opening of the packaging, especially with the help of sharp or pointed objects, may cause damage to the device.

- Open the packaging very carefully.
- Do not penetrate the packaging with sharp or pointed objects.

⚠ WARNING!

Packaging materials pose a risk of suffocation!

Catching your head in the packaging foil or swallowing other packaging materials can cause death. There is a higher risk for children and mentally challenged persons who cannot estimate the hazard potential due to lack of knowledge and experience.

- Prevent children and mentally challenged persons from playing with the packaging materials.

NOTICE!

There is a higher risk of damage to the device if it is stored or transported without the packaging.

- Do not dispose of the packaging.
- In the case of damage, substitute the packaging with an at least similar box.

Checking the delivery for completeness and damage

1. Open the packaging carefully.
2. Take all parts out of the packaging.
3. Check the completeness of the delivery.
4. Check the delivery for damage.

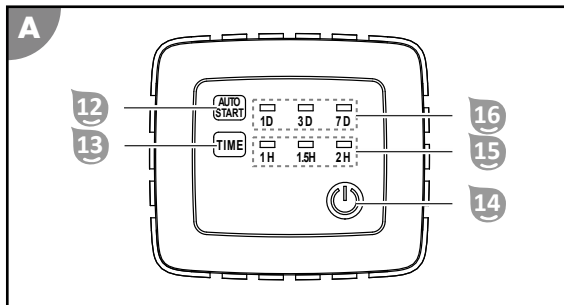
Description

Description of the pool cleaner

The device cleans the floor and the walls of the pool. The cleaning roller of the device removes biofilms in the pool but cannot remove any algae. Detached deposits and floating substances are filtered out of the pool water.

Functions of the control unit

The power adapter integrated in the control unit supplies the pool cleaner with 20 V DC.



Autostart function 12 16

Use this function to set the automatic start of operation.

Use the AUTOSTART button 12 to switch between the cleaning intervals. Before and after the start of operation, the lit LED 16 indicates the currently selected mode. If no cleaning interval is active, all LEDs blink or none of the LEDs of the LED display blink 16.

- 1D repeats cleaning daily.
- 3D repeats cleaning every 3 days.
- 7D repeats cleaning every 7 days.

Time function 13 15

Use this function to set the running time.

Use the TIME button **13** to switch between the running times. After the start of operation, the LED indicator **15** indicates the currently selected and active mode by blinking.

- 1H stops cleaning after 1 hour.
- 1.5H stops cleaning after 1.5 hours.
- 2H stops cleaning after 2 hours.

ON/OFF function **14**

Use this function to switch the device ON and OFF.

Use the ON/OFF button **14** to switch between the following functions:

- ON switches the device on and starts cleaning at the same time.
- OFF stops cleaning and switches the device off at the same time.

Operation

Check the following before each use:

- Is there visible damage on the device?
- Is there visible damage on the control elements?
- Do all individual parts function?
- Are the accessories in perfect condition?
- Are all cables in perfect condition?

Do not start up a damaged device or damaged accessories. Have them checked by the manufacturer or its customer service or a qualified service technician.

Cleaning the pool

Observe the following before cleaning your pool:

- We recommend thoroughly cleaning the device before using it for the first time.
- Remove any cover or film from the pool.
- Remove obstacles (such as a ladder) from the pool.
- Switch off the filter system at least one hour before the start of cleaning so that particles in the water can settle on the floor.
- Never let the device run outside of the water as this can cause damage even after a short time.

Proceed as follows to clean your pool:

1. Select the filter bags according to the type of soiling.
2. Insert the filter units.
3. Place the device in the pool.
4. Connect the control unit to the device and the power supply.

5. Select the desired autostart function. See section "Functions of the control unit".
6. Start the cleaning program and adapt the battery runtime to the size of your pool. See section "Functions of the control unit".

Selecting the filter bag

The device is supplied with filter bags with different degrees of fineness.

Select the right filter bag according to the degree of soiling or carry out a rough and then a fine cleaning.

coarse soiling

Plastic filter bag (black) **6** for insects and leaves

fine soiling

Fleece filter bag (white) **11** for pollen and sand

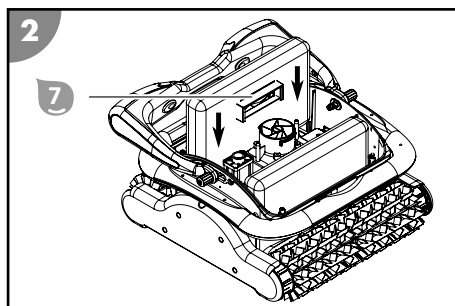
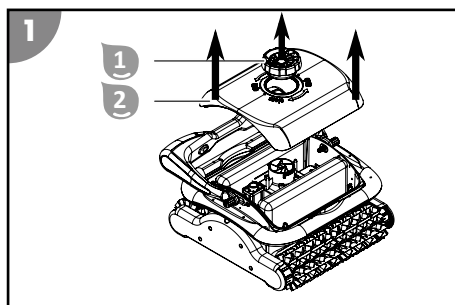
NOTICE!

Filter bags pulled on top of each other can lead to overheating of the motor.

- Never pull more than one filter bag over the filter unit.

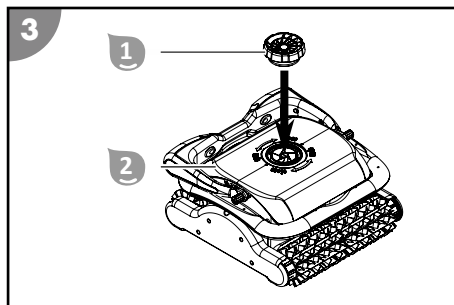
Inserting the filter units

1. Unscrew the fixing screw **1**.
2. Take the top part **2** off.
3. Slide the filter units **7** flush into the device along the guide rail.



4. Replace the top part **2** and screw it down again with the fixing screw **1**.

The filter units are inserted.



Placing the device in the pool

⚠ CAUTION!

Risk of injury!

The device can hurt persons in the pool.

- Make sure no one is in the pool while the device is in the water.

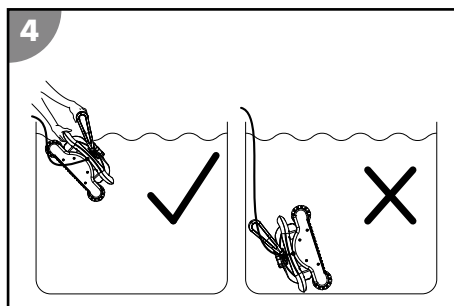
NOTICE!

A lawnmower can damage a cable placed on the ground.

- Route the cable so that it cannot be damaged by a lawnmower or similar device.

1. Completely unroll the floating cable **5** and place it next to the pool without twisting.
2. Hold the device by the handle **3** and lower it slowly and tilted slightly forward into the water until sufficient air has escaped and it sinks to the bottom. Slowly feed the floating cable **5** to control lowering. The device should run at a right angle to the pool wall.

The device is in the pool.



Connecting the control unit

⚠ WARNING!

Risk of electric shock!

Handling the power plug with wet hands can lead to an electric shock.

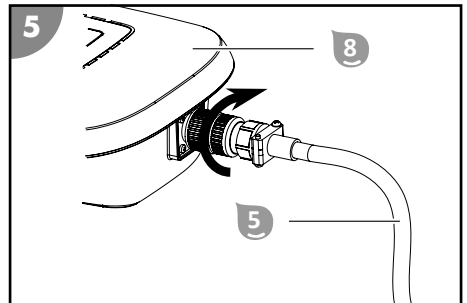
- Never touch the power plug with wet hands.

NOTICE!

High temperatures can damage the control unit.

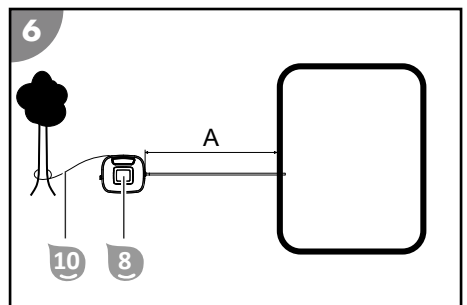
- Do not cover the control unit.
- Place the control unit in the shade, if possible.

1. Only let as much of the floating cable 5 into the water so that the device can reach all the spots in the pool.
2. Connect the plug of the floating cable 5 in the right position to the control unit 8 and screw the connection together.



3. Attach the control unit 8 at a distance of at least $A=3.5$ m to the pool with the safety rope 10 so that it cannot be pulled into the water.
4. Connect the power plug to a grounded socket.

The control unit is connected.



Starting cleaning

1. Press the AUTOSTART button on the control unit.

The indicator shows the setting of the last selected autostart function. All LEDs of the autostart function blink if periodical cleaning has not been selected.

2. Select your desired autostart function by pressing the AUTOSTART button.
3. Press the ON/OFF button on the control unit.

Adapt the cleaning time to your pool size if necessary.

Cleaning has started, the indicator indicates the settings of the last selected cleaning program and the battery runtime LED starts to blink.

Switching off the device

Proceed as follows to switch off the device:

1. Switch off the device after the end of the cleaning program.
2. Disconnect the control unit from the power supply and the device.
3. Lift the device out of the pool.
4. Clean the filter units and the device.
5. If you use the autostart function, place the device in the pool again and connect the control unit to the power supply.

Stopping cleaning

Cleaning stops automatically once the set running time has expired.

All cleaning time LEDs blink.

Terminating the cleaning early

1. Press the ON/OFF button.

The control unit is switched off, all LEDs are off.

Disconnecting the control unit

⚠ WARNING!

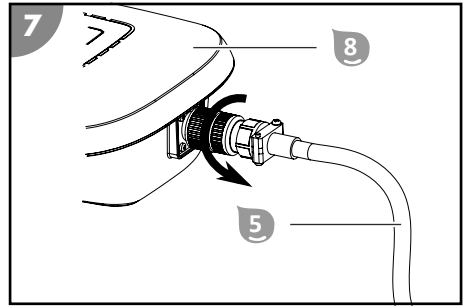
Risk of electric shock!

Handling the power plug with wet hands can lead to an electric shock.

- Never touch the power plug with wet hands.
1. Disconnect the power plug from the grounded socket.

2. Undo the screw fitting of the plug on the control unit **8** and pull of the floating cable **5**.

The control unit is disconnected.



Lifting the device out of the pool

⚠ WARNING!

Risk of electric shock!

Risk of electric shock if the control unit drops into the filled pool while it is connected to the power supply.

- Pull the power plug out of the socket before lifting the device out of the pool.
1. Slowly pull the device by the floating cable **5** towards the water surface until you can reach the handle **3**.
 2. Slowly lift the device out of the water by the handle **3** and hold it above the water surface for 10 to 15 seconds so that most of the water can flow back into the pool.
 3. Set down the device next to the pool.

The device is lifted out of the pool.



Clean the device after each use to ensure continued fault-free operation.

Cleaning

NOTICE!

Improper cleaning might damage the device.

- Clean the surface of the device with plain tap water after each use.
- Do not use any aggressive cleaning agents.

- Do not use any sharp or metal objects such as knives, hard scrapers or similar.
- Do not use any cleaning brushes.
- Do not use a high-pressure cleaner.

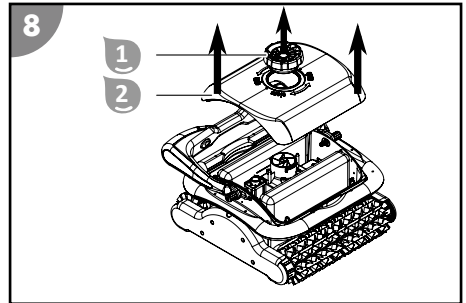
Cleaning the device

1. Remove and clean the filter units.
2. Rinse the device and the floating cable after each use with plain tap water inside and out.

The device is clean.

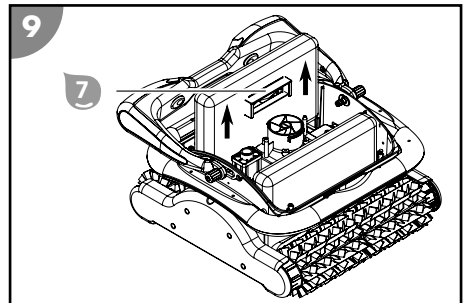
Removing the filter units

1. Unscrew the fixing screw ①.
2. Take the top part ② off.



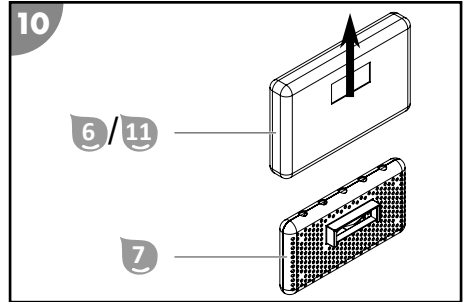
3. Pull the filter units ⑦ straight up and out of the device.

The filter units are removed.

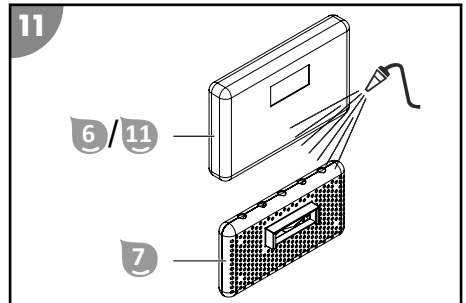


Cleaning the filter units

1. Open the Velcro strap of the filter bags 6 or 11 and pull these off the filter units 7.

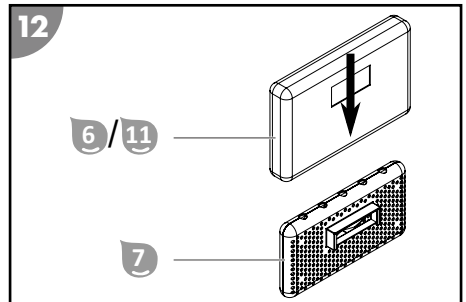


2. Thoroughly rinse the filter units 7 and the filter bags 6 or 11 with plain tap water.



3. Pull the cleaned filter bags 6 or 11 over the filter units 7 (note the position of the recess) and close the Velcro strap.

The filter units are cleaned.



Storage

1. Thoroughly clean the device (see section "Cleaning").
2. Let all parts dry completely.
3. Then store the device and its accessories in a dry and frost-free place ($\geq +5^\circ\text{C}$) without direct sunlight.

Troubleshooting

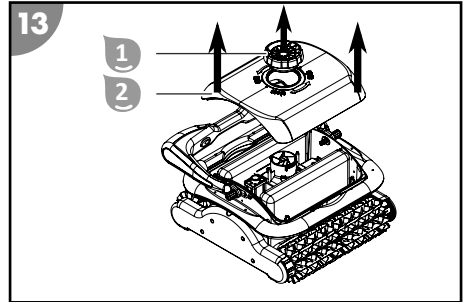
Fault description	Cause	Remedy
1H+1.5H blink and a signal sounds	The pump is overloaded.	Stop the device and check if the wheel is blocked by a foreign object.
1.5H+2H blink and a signal sounds	The drive motor is overloaded.	Check the drive belt.
1H+2H blink and a signal sounds	The device is out of the water.	Stop the device, immerse it in water and start the device again.
The cable is twisted or tangled.	The cable was not completely detached.	Switch off the device, disconnect the cable and untangle it.
	The cable in the water is too long.	Pull the excess cable length out of the water. The cable in the water should only be long enough so that the device can reach all spots in the pool.
	The device becomes stuck on the drain grate.	Switch off the filter system of the pool.
The device cannot reach all spots.	The control unit was wrongly positioned.	Position the control unit so that the device can easily access all spots.
	The water circulation of the pool is switched on.	Switch off the filter system of the pool.
	The cable is too short.	Let a sufficient length of cable into the pool so that the device can reach all spots in the pool. Observe the minimum distance of the control unit to the pool.

Fault description	Cause	Remedy
The device does not completely move up the wall.	The filter is clogged.	Clean the filters.
	Algae grows on the walls.	Clean the pool walls.
	The water temperature is too high or too low.	Operate the device at water operating temperature (see section "Technical data").
	The drive belt or the cleaning rollers are worn.	Check the drive belt and the cleaning roller for wear and replace them if necessary.
	The device is too light and topples.	Switch off the device and let all the air escape.
	The pH value and the chlorine quantity are not properly set.	Adjust the pH value and the chlorine value to the correct value (see section "Technical data").
	The device has too little buoyancy.	Attach additional buoyancy aids (part of the package contents, see section "Installing the buoyancy aids").
The device does not function.	The control unit is not completely plugged in.	Check the plug connection of the power cable and the control unit.
	The control unit needs a different voltage than the local one.	Contact customer service.
The device does not sink.	There is air in the device.	Switch off the device and let all the air escape.
	The salt content is too high and the device has more buoyancy.	Set the correct salt content. See section "Technical data".
The device rises to the surface.	The device climbs too high or there is air trapped in the device.	Switch off the device and let all the air escape.
	The salt content is too high and the device has more buoyancy.	Set the correct salt content. See section "Technical data".

Fault description	Cause	Remedy
The drive belt tears off.	There are foreign objects in the drive.	Contact customer service.
The device is defective.		Contact customer service.

Installing the buoyancy aids

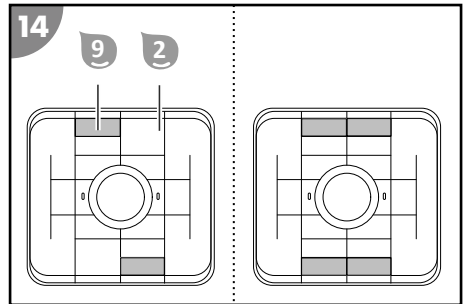
1. Unscrew the fixing screw **1**.
2. Take the top part **2** off.



3. Stick two of the self-adhesive buoyancy aids **9** diagonally opposite each other on the inside of the top part **2**.

Should the device still not float sufficiently, stick on two additional buoyancy aids **9** next to the ones already installed.

4. Replace the top part **2** and screw it down again with the fixing screw **1**.



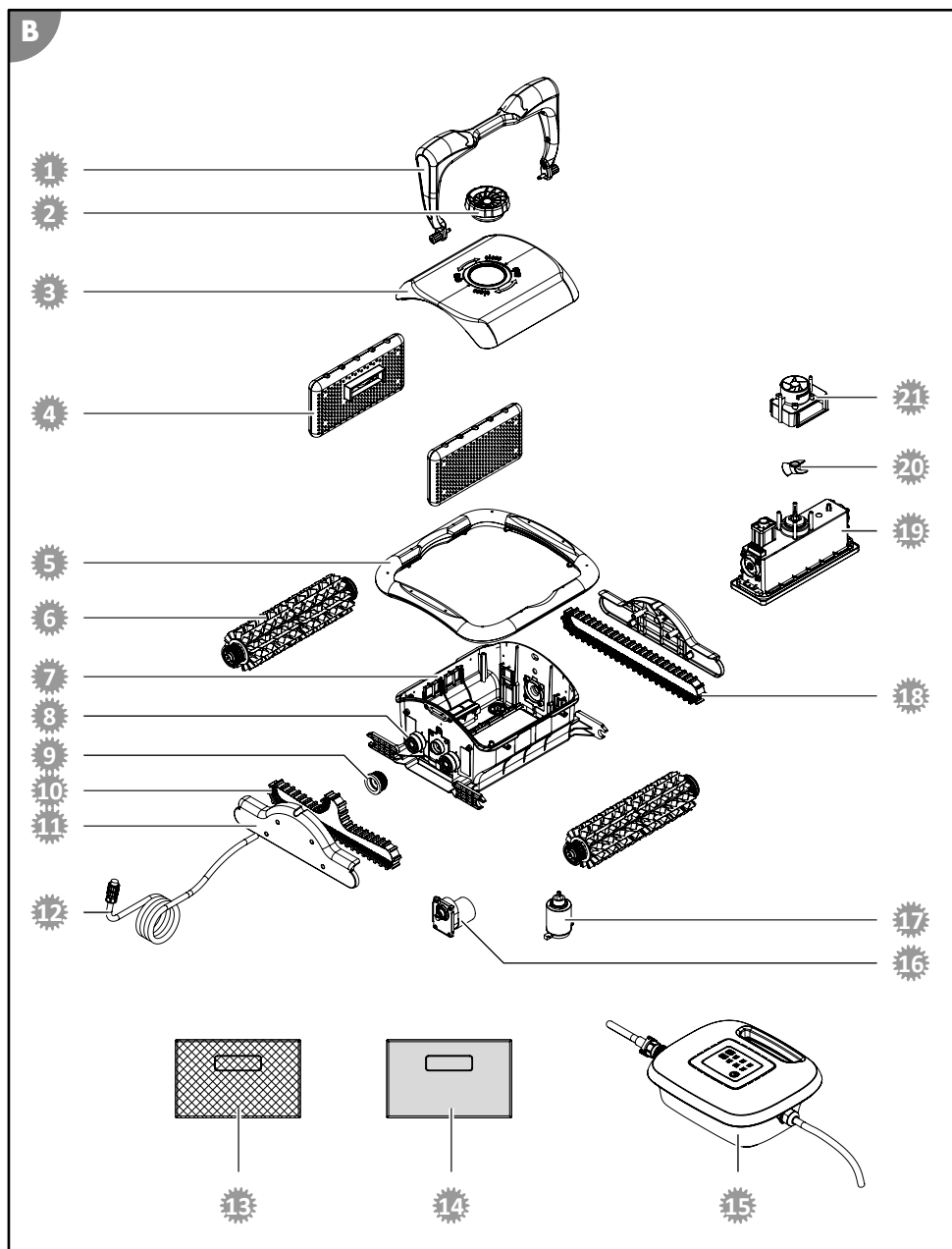
The buoyancy aids are installed.

If the problem cannot be solved, contact the customer service listed on the last page.

Technical data

Model	061025
Input voltage	20 V===
Ambient temperature	10 °C to 40 °C
Operating temperature (water)	10 °C to 35 °C
pH value	7.0 to 7.4
Chlorine value	0.3 - 0.6 mg/l
Salt content of water (salt electrolysis)	<0.5%
Safety class	IPX8
Cable length	18 m
Maximum cleaning surface in pool	200 m ²
Width of cleaning drum	361 mm
Crawl speed	12 m/min
Filter throughput	18 m ³ /h
Filter mesh	100 µm
Weight	12.0 kg (without cable)
Control unit	
Input voltage	220 (230) AC
Frequency	50 Hz
Output voltage	20 V===
Rated power	200 W
Safety class	IPX5

Spare parts



- 1 061955 - stabilizer handle
- 2 099117 - fixing screw
- 3 099118 - top part
- 4 099119 - filter unit
- 5 061954 - collision protection
- 6 099123 - cleaning roller
- 7 099124 - bottom part
- 8 099125 - bearing
- 9 099126 - drive wheel
- 10 099129 - L-shaped drive belt
- 11 099128 - side cover
- 12 099127 - cable
- 13 099134 - plastic filter bag, black
- 14 099135 - fleece filter bag, white
- 15 099133 - control unit for 061025
- 16 099131 - drive motor
- 17 099130 - filter pump
- 18 099132 - S-shaped drive belt
- 19 061976 - motor unit (061025)
- 20 099122 - propeller
- 21 099121 - water outlet

Declaration of Conformity



Steinbach International GmbH hereby declares that the device meets the following directives:

- 2014/35/EU (EN 60335-1:2012+A11:2014; EN 60335-2-41:2003+A1:2004+A2:2010; EN 62233:2008)
- 2014/30/EU (EN 55014-1:2006+A1:2009+A2:2011; EN 55014-2:2015; EN 61000-3-2:2014; EN 61000-3-3:2013)

You can request the complete text of the EU Declaration of Conformity from the address stated at the end of this instruction manual.

Disposal

Disposing of the packaging

Sort the packaging before you dispose of it. Dispose of paperboard and cardboard with the recycled paper service and wrappings with the appropriate collection service.

Disposing of used appliances



Used appliances do not belong in the household waste!

If the device can no longer be used, each consumer **is obligated by law to drop off used appliances separate from the household waste** at a municipal collection point. This ensures that used appliances are recycled properly and negative effects on the environment are avoided. Therefore

electrical appliances are marked with the above symbol.