

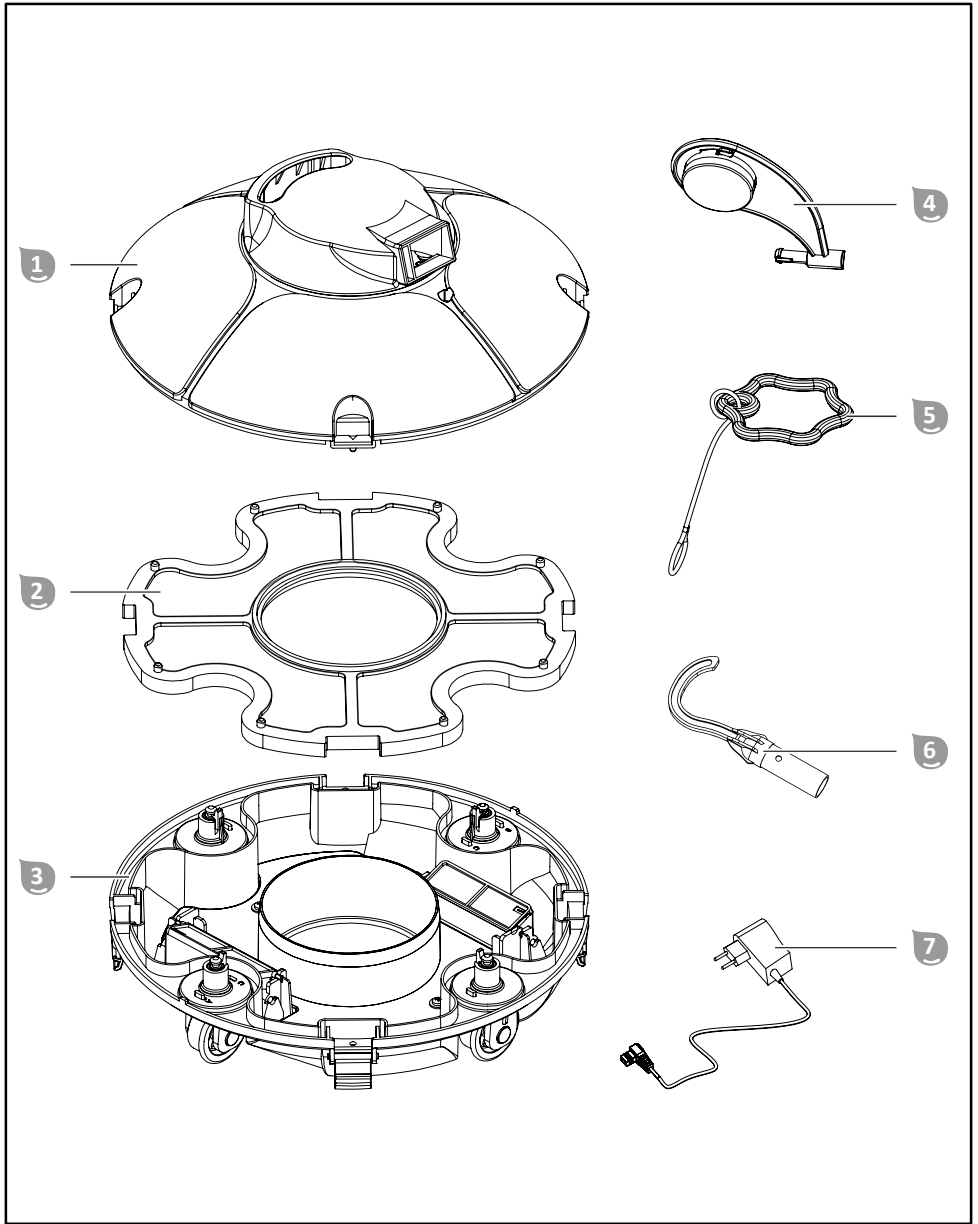
Originalbetriebsanleitung / Original owner's manual / Notice originale / Istruzioni originali / Manual original / Původní návod k používání / Eredeti használati utasítás / Izvirna navodila / Pôvodný návod na použitie / Instrukcja oryginalna / Instrucțiuni originale / Originalne upute / Оригинална инструкция / Oriđinal kullanim talimatları

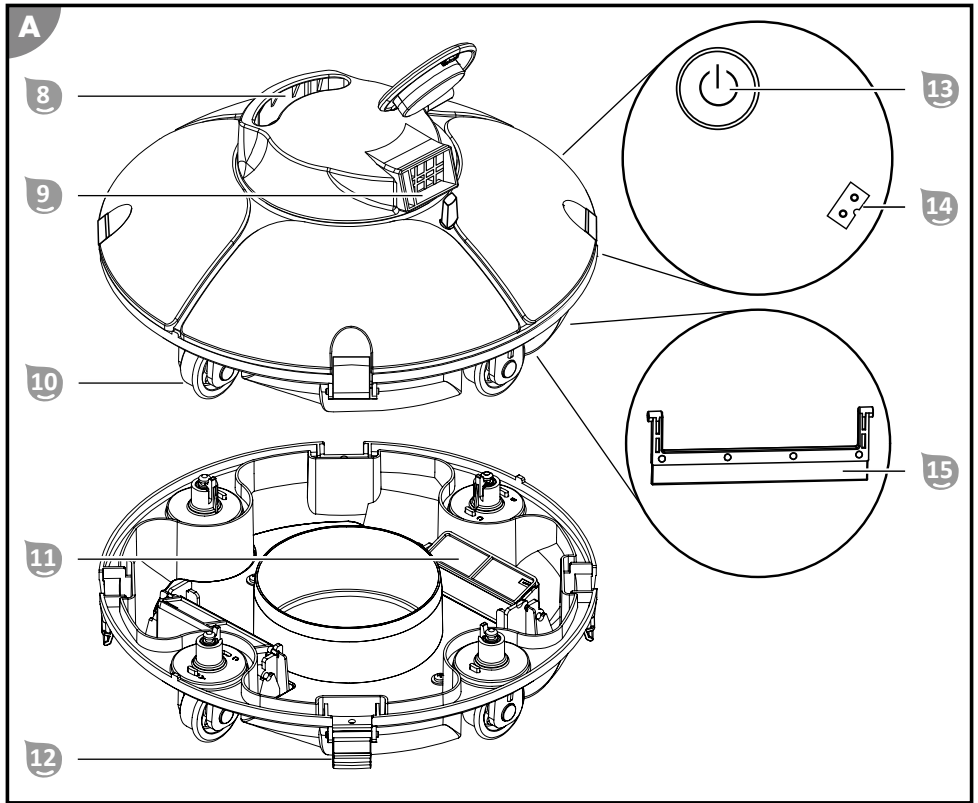
## Schwimmbadreiniger

Poolrunner Battery Basic



<b>de</b>	Schwimmbadreiniger.....	4	<b>en</b>	Pool cleaner.....	27
<b>fr</b>	Nettoyeur de piscine.....	49	<b>it</b>	Pulitore per piscina.....	72
<b>es</b>	Limpiafondos de piscina.....	95	<b>cs</b>	Čistič bazénů.....	118
<b>hu</b>	Úszómedence tisztító.....	140	<b>sl</b>	Čistilnik bazena.....	163
<b>sk</b>	Čistič bazénu.....	185	<b>pl</b>	Odkurzacz basenowy.....	207
<b>ro</b>	Dispozitiv de curățare a piscinei.....	230	<b>hr</b>	Čistač bazena.....	253
<b>bg</b>	Уред за почистване на басейни.....	275	<b>tr</b>	Yüzme havuzu temizleyicisi.....	298





## Lieferumfang/Geräteteile

- |                                  |                                    |
|----------------------------------|------------------------------------|
| 1 Oberteil                       | 9 Wasserauslassdüse                |
| 2 Filtereinheit                  | 10 Rad                             |
| 3 Unterteil                      | 11 Schutzklappe                    |
| 4 Segel                          | 12 Verschlussclip                  |
| 5 Schwimmgriff inkl. Nylonschnur | 13 Schalter ON/OFF                 |
| 6 Haken                          | 14 Ladebuchse                      |
| 7 Ladegerät                      | 15 Reinigungslippe                 |
| 8 Griff                          | Betriebsanleitung (ohne Abbildung) |

## Package contents/ components

- 1 Top part
  - 2 Filter unit
  - 3 Bottom part
  - 4 Sail
  - 5 Floating handle incl. nylon cord
  - 6 Hook
  - 7 Charger
  - 8 Handle
  - 9 Water discharge nozzle
  - 10 Wheel
  - 11 Dirt slot
  - 12 Clip
  - 13 ON/OFF switch
  - 14 Charging socket
  - 15 Cleaning strip
- Operating instructions (without illustration)

# Contents

<b>Overview</b> .....	<b>2</b>
<b>Package contents/components</b> .....	<b>26</b>
<b>General Information</b> .....	<b>28</b>
<b>Explanation of Symbols</b> .....	<b>28</b>
<b>Safety</b> .....	<b>29</b>
<b>Unpacking and checking the package contents</b> .....	<b>33</b>
<b>Description</b> .....	<b>33</b>
Description of the pool cleaner.....	33
<b>Basic settings</b> .....	<b>34</b>
Charging the rechargeable battery.....	34
Attaching the floating handle.....	34
Attaching the sail.....	35
Adjusting the wheels.....	35
Attaching the cleaning strips.....	36
Detaching the cleaning strips.....	37
<b>Operation</b> .....	<b>37</b>
Cleaning the pool.....	37
Switching off the device.....	39
<b>Cleaning</b> .....	<b>40</b>
<b>Storage</b> .....	<b>41</b>
<b>Troubleshooting</b> .....	<b>42</b>
<b>Technical data</b> .....	<b>44</b>
<b>Spare parts</b> .....	<b>45</b>
<b>Declaration of Conformity</b> .....	<b>47</b>
<b>Disposal</b> .....	<b>47</b>

# General Information

## Read and keep the operating instructions



These operating instructions are part of the Pool Runner Battery Basic pool cleaner (in the following also called "device"). It contains important information about startup and operation.

Read the operating instructions and especially the safety instructions carefully before using the device. Non-observance of these operating instructions can lead to severe injuries or damage to the device.

The operating instructions are based on the standards and regulations in effect in the European Union. Also observe country-specific directives and laws abroad.

Keep the operating instructions for further use. If you pass on the device to a third party, you must pass on these operating instructions as well.

### Intended use

This device is exclusively designed to clean private pools. The device is not suited for pools with liners with a liner thickness of less than 0.4 mm.

This product is exclusively intended for private use and not suited for the commercial sector. Only use the device as described in these operating instructions. Any other use is considered inappropriate and may lead to material damage or even injury. The device is not a toy.

The manufacturer or retailer will not assume any liability for damage caused by inappropriate or incorrect use.

## Explanation of Symbols

The following symbols are used in these operating instructions, on the device or on the packaging.



This symbol provides you with useful additional information on handling and use.



Products marked with this symbol meet all the applicable Community regulations of the European Economic Area.



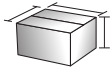
Never use a sharp knife or other pointed object to open the packaging. You may damage the contents.



Lithium ion batteries in equipment or lithium ion batteries packaged with equipment.



Weight of the packaging unit.



Dimensions of the packaging unit.



Only use the charger indoors



This symbol identifies devices that belong to the protection class II.

## Safety

The following signal words are used in this user manual.

**⚠ WARNING!**

This signal symbol/word denotes a hazard with an average risk level that could lead to death or severe injury if it is not avoided.

**⚠ CAUTION!**

This signal symbol/word denotes a hazard with a low risk level that could lead to mild or moderate injury if it is not avoided.

**NOTICE!**

This signal word provides a warning about potential material damage.

### General safety instructions

**⚠ WARNING!**

#### **Risk of electric shock!**

Faulty electric installation or excess mains voltage can cause an electric shock.

- Only connect the power cable if the mains voltage of the socket matches that on the type plate.

- Only connect the power cable to an easily accessible socket so that you can quickly disconnect it in the case of a fault.
- Only connect the power cable to a grounded socket.
- Only operate the device on a grounded socket secured with at least 16A.
- The device must be powered via a residual current device with a rated residual current of at most 30 mA.
- Do not operate the device if it shows visible damage or if the power cable is defective.
- Do not open the device; leave repairs to an expert. Contact the service address on the back of the instruction manual for this purpose. All liability and warranty claims will be void in the case of arbitrary repairs, improper connection or wrong operation.
- Never touch the power cable with wet hands.
- Never pull the power cable out of the socket by the cable; always hold it by the plug.
- Never use the power cable as a carrier handle.
- Keep the device and the power cable away from naked flames and hot surfaces.
- Do not place any objects on the power cable.
- Do not bury the power cable.
- Route the power cable such that no one can trip over it.
- Do not kink the power cable and do not place it over sharp edges.
- Do not use the device during a thunderstorm. Switch it off and pull the power cable out of the socket.
- Always switch off the device and disconnect it from the power supply if you are not using the device, when cleaning it or in the case of a fault.
- Only components that meet the original device data must be used for repair. There are electric and mechanical components in this device that are indispensable for hazard protection.



- Only use spare parts and accessory parts supplied or recommended by the manufacturer. All warranty claims will be void when using third-party components.
- Do not operate the device with an external timer or a separate remote system.

### NOTICE!

- Never let the device run outside of the water as this can cause damage even after a short time.

#### Safety instructions for persons

### WARNING!

**Danger to children and persons with reduced physical, sensory or mental capacities (such as partially disabled persons/older persons with reduced physical and mental capacities) or persons lacking experience and knowledge (such as older children).**

Improper handling of the device can lead to severe injury or damage to the device.

- Only allow others to access the device after they have read and comprehended the entire manual or have been instructed about the intended use and the associated risks.
- Never let persons with reduced physical, sensory or mental capacities (such as children or drunk people) or a lack of experience and knowledge unsupervised near the device.
- Never allow children and persons with limited physical, sensory or mental capacities or persons lacking the respective experience and knowledge to operate the device.
- Do not let children clean or service the device.
- Children are not allowed to play with the device or with the power cable.
- Do not operate the device under the influence of drugs, alcohol or medication or if you are tired.

## **⚠ WARNING!**

### **Risk of injury through insufficient qualification!**

Insufficient experience or skills for handling the required tools and insufficient knowledge of regional or normative regulations for the required work can lead to severe injuries or material damage.

- Assign all work whose risks you cannot estimate due to insufficient personal experience to a qualified expert.

### **Additional safety instructions for chargers**

#### **Use and handling of the charger**

- Only connect the charger if the mains voltage of the socket matches that on the type plate.
- Only connect the charger to an easily accessible socket so that you can quickly disconnect it in the case of a fault.
- Always ensure sufficient ventilation while charging the rechargeable battery. Gases might be released.
- Only use the charger to recharge rechargeable batteries approved by the manufacturer.
- Do not recharge non-rechargeable batteries.
- A cracked or otherwise damaged rechargeable battery must not be connected to the charger.
- Protect the charger from any kind of moisture.
- Only use the charger indoors. Never operate it in damp rooms or in the rain.
- Never use the charger in environments with explosive or flammable materials. Risk of fire and explosion.
- Do not place any objects on the charger and do not cover the charger.
- Do not install the charger close to a heat source.
- Regularly check the charger for damage.
- Do not use a damaged charger until it has been repaired.
- Do not take the charger apart. Repairs must only be carried out through a licensed technical customer service.
- Do not use the charger if it has been subjected to blows or knocks or if it was dropped.
- Disconnect the charger from the mains after each use.
- Disconnect the charger from the mains before cleaning, servicing, storing and transporting it and let it cool down completely.

## Unpacking and checking the package contents

### NOTICE!

Careless opening of the packaging, especially with the help of sharp or pointed objects, may cause damage to the device.

- Open the packaging very carefully.
- Do not penetrate the packaging with sharp or pointed objects.

### WARNING!

#### **Packaging materials pose a risk of suffocation!**

Catching your head in the packaging foil or swallowing other packaging materials can cause death. There is a higher risk for children and mentally challenged persons who cannot estimate the hazard potential due to lack of knowledge and experience.

- Prevent children and mentally challenged persons from playing with the packaging materials.

### NOTICE!

There is a higher risk of damage to the device if it is stored or transported without the packaging.

- Do not dispose of the packaging.
- In the case of damage, substitute the packaging with an at least similar box.

### **Checking the delivery for completeness and damage**

1. Open the packaging carefully.
2. Take all parts out of the packaging.
3. Check the completeness of the delivery.
4. Check the delivery for damage.

## Description

### **Description of the pool cleaner**

The battery-operated pool cleaner cleans your filled pool in automatic mode.

The sail **4** lets the pool cleaner turn automatically as soon as it touches the pool wall.

The positions of the wheels **10** influence the travel path of the pool cleaner.

The removable filter unit **2** filters the water and collects deposits in the pool.

The optional cleaning strips **15** can improve the cleaning result depending on the degree of soiling.

When the rechargeable battery is drained, the pool cleaner stops cleaning.

## Basic settings

### Charging the rechargeable battery

#### **⚠ WARNING!**

##### **Risk of fire!**

Charging at a temperature below 10 °C leads to chemical damage to the cell and can cause a fire.

- Charge the rechargeable battery at room temperature.

#### **NOTICE!**

The sail might become damaged if the device is stored on its head.

- Never set down the device on its head.

1. Switch off the device before charging.

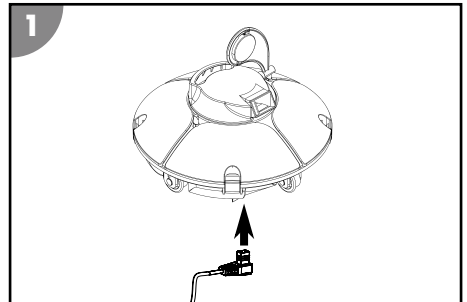
2. Connect the charger to the device.

3. Plug the charger into a socket.

*The charge control indicator is lit red.  
The rechargeable battery is charging.*

4. When the charge control indicator is lit green, disconnect the charger from the power supply and the device.

*The rechargeable battery is charged.*

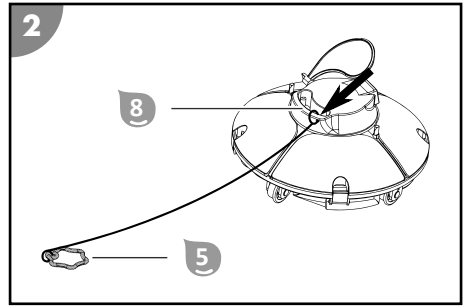


### Attaching the floating handle

Attach the floating handle so you can place the device in the pool and take it out of the pool in a controlled manner.

1. Guide the end of the nylon cord of the floating handle **5** through the eyelet on the handle **8**.
2. Shorten the nylon cord to a length that roughly corresponds to the depth of your pool and tie it in a knot.

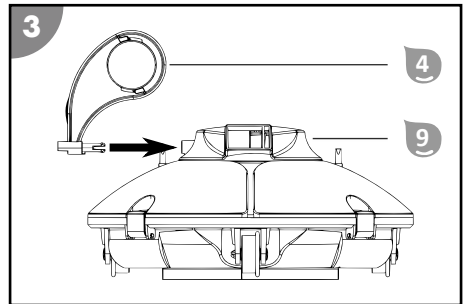
*The floating handle is attached.*



## Attaching the sail

1. Attach the sail **4** on the side of the water discharge nozzle **9**.

*The sail is installed.*



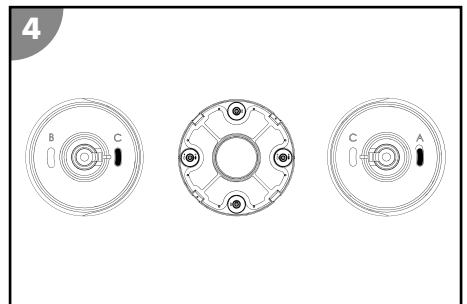
## Adjusting the wheels

You can adapt the working radius by adjusting the wheels.

We recommend the following settings:

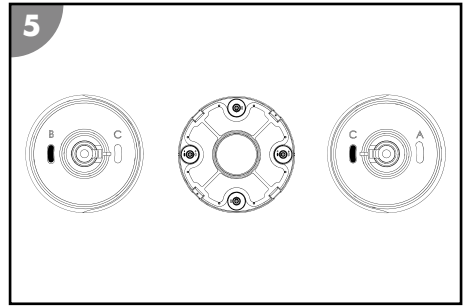
### C-A

(Setting for most pools (standard setting))



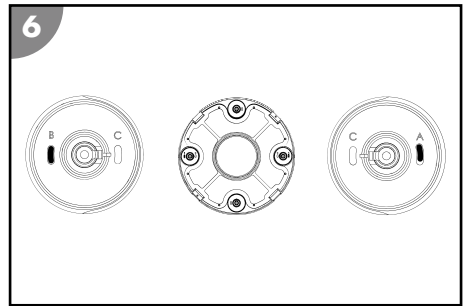
## B-C

(Setting for large pools)



## B-A

(Setting for small pools)



1. Press the retaining lugs away from the half axle and pull off the wheel.
2. Insert in the wheel with the catch so that it snaps into place at the respective letter for the selected setting.

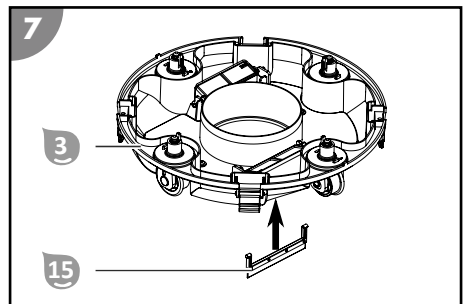
*The wheels are set.*

## Attaching the cleaning strips

Only attach the cleaning strips if they can assist cleaning (e.g. for removing a biofilm). In the case of an inclination, unevenness, too much dirt on the floor or cold water temperature, the cleaning strips might have an adverse effect on the cleaning result.

1. Insert the cleaning strips **15** into the suction channels on the bottom of the bottom part **3**.
2. Make sure that the cleaning strips **15** have properly engaged and have a tight fit.

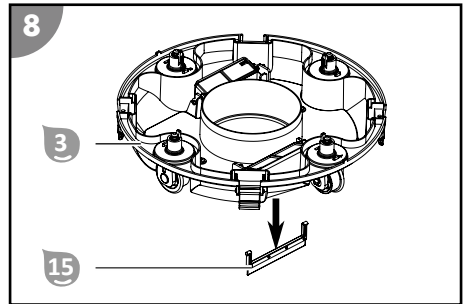
*The cleaning strips are attached.*



## Detaching the cleaning strips

1. Pull on the frames of the cleaning strips **15** and take them out of the bottom part **3**.

*The cleaning strips are detached.*



## Operation

Check the following before each use:

- Is there visible damage on the device?
- Is there visible damage on the control elements?
- Do all individual parts function?
- Are the accessories in perfect condition?
- Are all cables in perfect condition?

Do not start up a damaged device or damaged accessories. Have them checked by the manufacturer or its customer service or a qualified service technician.

## Cleaning the pool

Observe the following before cleaning your pool:

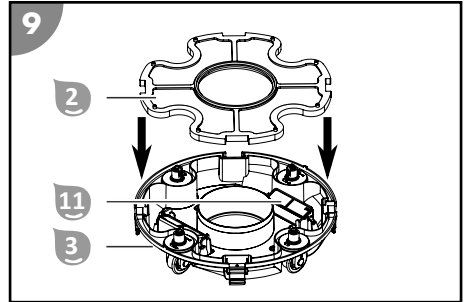
- We recommend thoroughly cleaning the device before using it for the first time.
- Remove any cover or film from the pool.
- Remove obstacles (such as a ladder) from the pool.
- Switch off the filter system at least one hour before the start of cleaning so that particles in the water can settle on the floor.
- Never let the device run outside of the water as this can cause damage even after a short time.

Proceed as follows to clean your pool:

1. Insert the filter unit.
2. Place the device in the pool and switch it on.

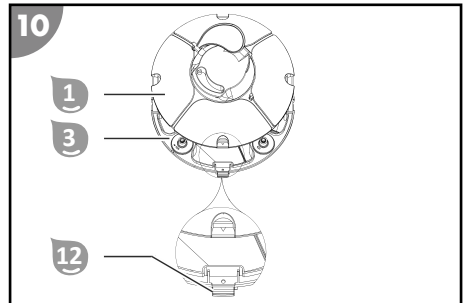
### Inserting the filter unit

1. Make sure that the dirt slots **11** are closed before inserting the filter unit.
2. Insert the filter unit **2** into the bottom part **3** in the correct position with the guide lugs pointing upwards.



3. Place the top part **1** in the correct position on the bottom part **3**. In doing so, pay attention to the guide lugs on the marked locking points.
4. Close all clips **12**.

*The filter unit is inserted.*



### Placing the device in the pool and starting cleaning

#### **⚠ CAUTION!**

#### **Risk of injury!**

The device can hurt persons in the pool.

- Make sure no one is in the pool while the device is in the water.

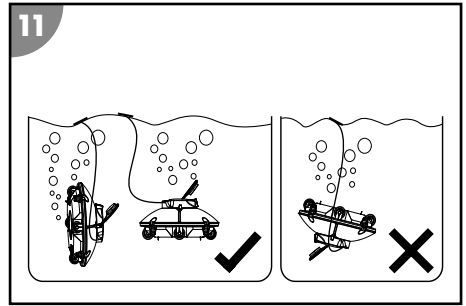
#### **NOTICE!**

The pump of the device can be damaged if it is switched on or off outside of the water.

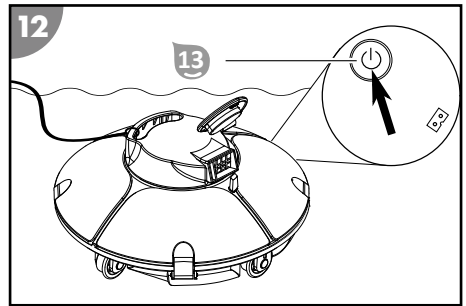
- Only switch the device on or off when it is located below the water surface.



1. Hold the device by the handle and lower it slowly into the water until all the air has escaped. The device should run at a right angle to the pool wall.



2. Press the ON/OFF switch **13** on the bottom until it snaps into place.



The device beeps if it is switched on outside of the water.

The device starts approximately 15 seconds after the switch has been pressed.

3. Afterwards, carefully lower the device on the nylon cord of the floating handle **5** to the bottom.

*The device is in the pool and starts cleaning with a time delay.*

*Cleaning stops automatically when the rechargeable battery is drained.*



Press the ON/OFF switch **13** to stop cleaning and switch the device off before the cleaning time is up.

## Switching off the device

Proceed as follows to switch off the device:

1. Lift the device out of the pool and switch it off.
2. Clean the filter unit and the device.

## Lifting the device out of the pool

### NOTICE!

The pump of the device can be damaged if it is switched on or off outside of the water.

- Only switch the device on or off when it is located below the water surface.
1. Slowly pull the device to the surface by the floating handle **5** and the nylon cord until you can reach the handle **8** and press the ON/OFF **13** switch on the bottom until it snaps into place.

If the floating handle is out of reach, use the supplied hook **6** together with an extensible rod (not part of the package contents).

*The device is switched off.*

2. Slowly lift the device out of the water by the handle and hold it above the water surface for 10 to 15 seconds so that most of the water can flow back into the pool.
3. Set down the device next to the pool.

*The device is lifted out of the pool.*



Clean the device after each use to ensure continued fault-free operation.

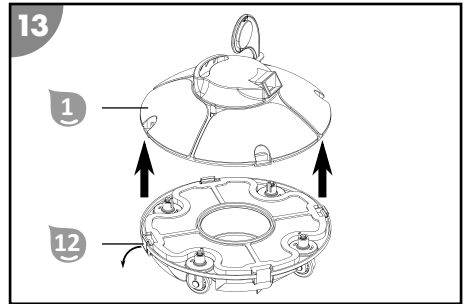
## Cleaning

### NOTICE!

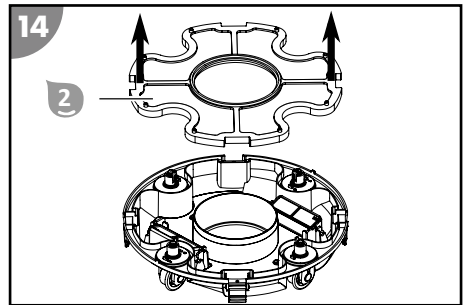
Improper cleaning might damage the device.

- Clean the surface of the device with plain tap water after each use.
- Do not use any aggressive cleaning agents.
- Do not use any sharp or metal objects such as knives, hard scrapers or similar.
- Do not use any cleaning brushes.
- Do not use a high-pressure cleaner.

1. Open all clips **12**.
2. Take the top part **1** off.

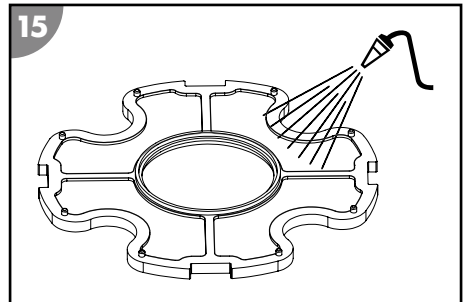


3. Remove the filter unit **2**.



4. Thoroughly rinse the filter unit with plain tap water.
5. Rinse the device after each use with plain tap water inside and out.

*The device is clean.*



## Storage

1. Thoroughly clean the device (see section "Cleaning").
2. Let all parts dry completely.
3. Fully charge the device.  
Recharging is required after at latest 3 months due to self-discharge.
4. Then store the device and its accessories in a dry and frost-free place ( $\geq +5\text{ }^{\circ}\text{C}$ ) without direct sunlight.

# Troubleshooting

Fault description	Cause	Remedy
The device cannot be switched on.	The rechargeable battery is drained.	Charge the rechargeable battery.
	The rechargeable battery is defective.	Contact customer service.
	It takes about 15 seconds after the ON/OFF switch is pressed before the device starts.	Wait approximately 15 seconds until the device starts.
The charge control indicator is not lit.	The charger is defective.	Contact customer service.
The device beeps.	The device is out of the water.	Place the device in the water.
The device continues beeping after it has been placed in the water.	The device is defective.	Contact customer service.
The device cannot reach all spots.	The wheel setting does not fit the pool size.	Adjust the wheels to fit the pool size.
	The pool has a special shape.	Adjust the wheels. Select the setting for small pools.
	The water circulation of the pool is switched on.	Switch off the filter system of the pool.
The device does not turn around at the pool wall.	The sail, the water discharge nozzle or the cleaning strip is stuck.	Remove the obstruction, remove the cleaning strips or contact customer service.
The device floats up or turns in a circle on the pool floor.	Too much air in the housing.	Let all air escape.
	The pH value and the chlorine quantity are not properly set.	Adjust the pH value to the correct value. See section "Technical data".
	The salt content is too high and the device has more buoyancy.	Set the correct salt content. See section "Technical data".

Fault description	Cause	Remedy
The rechargeable battery runtime is shorter than expected.	The water circulation of the pool is switched on.	Switch off the filter system of the pool.
	The water temperature is too low.	Only use the device under the permissible operating conditions. See section "Technical data".
	The rechargeable battery was not completely charged.	Charge the rechargeable battery completely.
	The pool floor is not level.	Only use the device in pools with a level floor.

If the problem cannot be solved, contact the customer service listed on the last page.

## Technical data

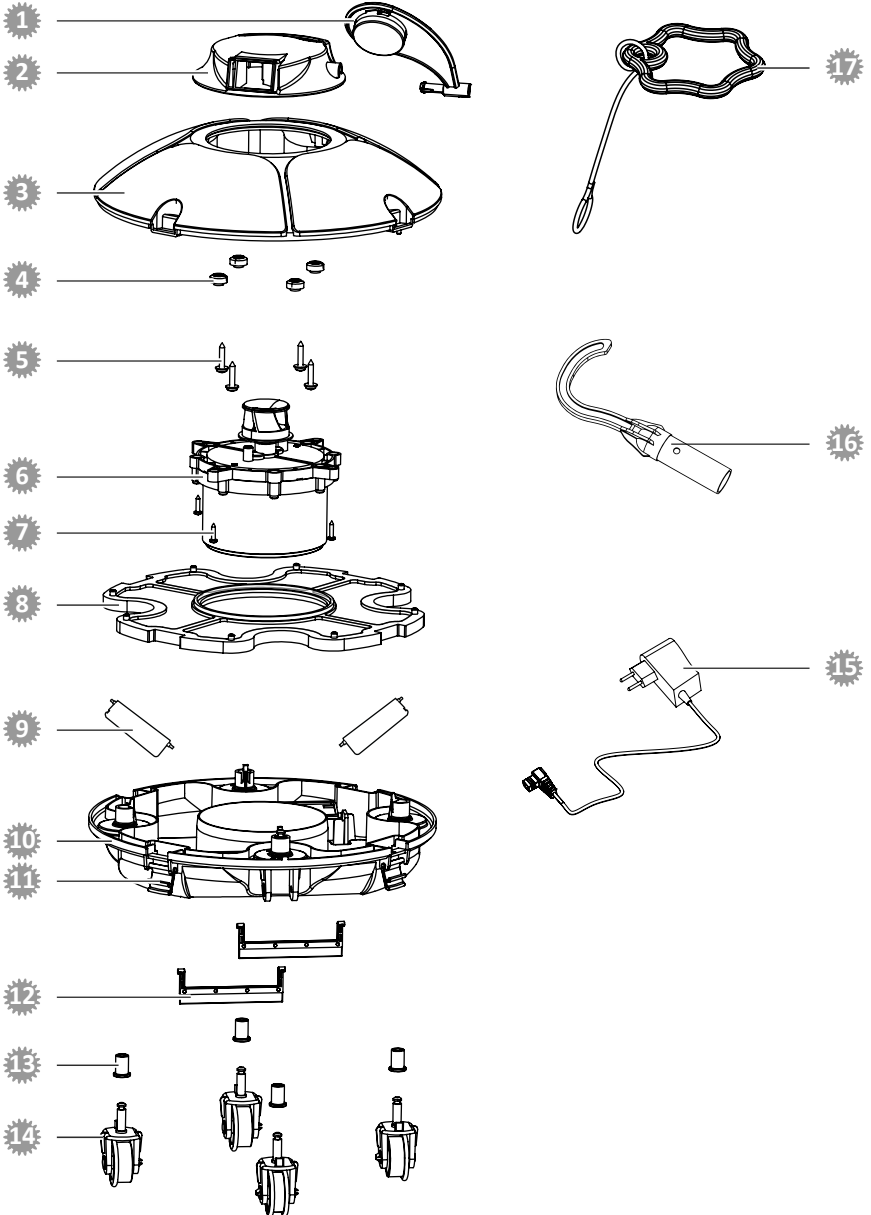
Model	061205
Type of rechargeable battery	Lithium ion
Rechargeable battery capacity	2600 mAh
Charging time	3 to 4 hours
Battery runtime	up to 60 min
Safety class	IPX8
Ambient temperature	10 °C to 40 °C
Operating temperature (water)	10 °C to 35 °C
pH value	7.0 to 7.4
Salt content of water (salt electrolysis)	<0.5%
Maximum cleaning surface in pool	25 m <sup>2</sup>
Maximum working depth	2.0 m
Motion speed	16 m/min
Filter throughput	2.5 m <sup>3</sup> /h
Filter mesh	180 µm

### Charger

Model	HT-A56-12610EB
Input voltage	100-240 V AC
Frequency	50/60 Hz
Output voltage	12.6 V===
Rated output current	1.0 A
Rated power	29 W
Safety class	IP20

# Spare parts

16



- 1 061280 - sail
- 2 061281 - water discharge nozzle
- 3 061282 - top part
- 4 061283 - washer
- 5 061284 - screw, 3.9 x 25
- 6 061285 - motor unit
- 7 061286 - screw, 3.9 x 16
- 8 061293 - filter insert
- 9 061294 - dirt slot
- 10 061287 - bottom part
- 11 061296 - clip
- 12 061288 - cleaning strip
- 13 061289 - wheel socket
- 14 061290 - wheel
- 15 061295 - charger
- 16 061292 - hook
- 17 061291 - floating handle incl. nylon cord



# Declaration of Conformity



Steinbach International GmbH hereby declares that the device meets the following directives:

- 2014/35/EU (EN 60335-1:2012+A11:2014+A13:2017; EN 60335-2-41:2003+A1:2004+A2:2010)
- 2014/30/EU (EN 55014-1:2017; EN 55014-2:2015; EN 61000-3-2:2014; EN 61000-3-3:2013)

You can request the complete text of the EU Declaration of Conformity from the address stated at the end of this instruction manual.

## Disposal

### Disposing of the packaging

Sort the packaging before you dispose of it. Dispose of paperboard and cardboard with the recycled paper service and wrappings with the appropriate collection service.

### Disposing of used appliances



**Used appliances do not belong in the household waste!**

If the device can no longer be used, each consumer **is obligated by law to drop off used appliances separate from the household waste** at a municipal collection point. This ensures that used appliances are recycled properly and negative effects on the environment are avoided. Therefore

electrical appliances are marked with the above symbol.