

Originalbetriebsanleitung / Original owner's manual / Notice originale / Istruzioni originali / Manual original / Původní návod k používání / Eredeti használati utasítás / Izvirna navodila / Pôvodný návod na použitie / Instrukcja oryginalna / Instrucțiuni originale / Originalne upute / Оригинална инструкция / Oriđinal kullanim talimatları

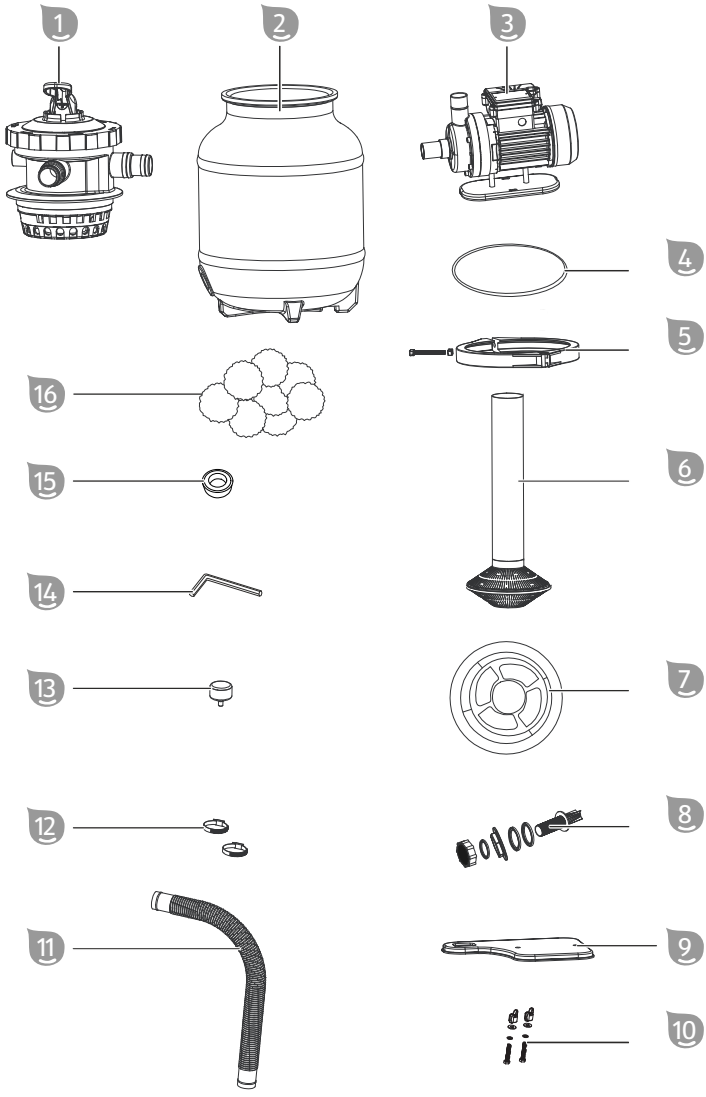
Filteranlage

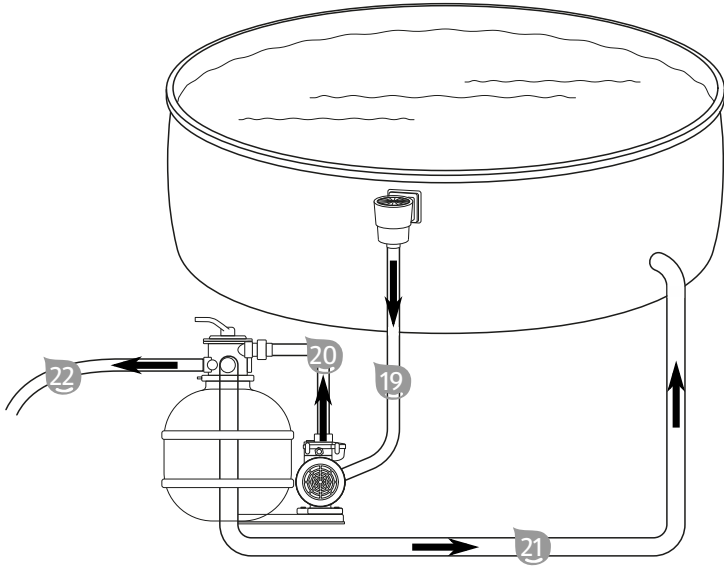
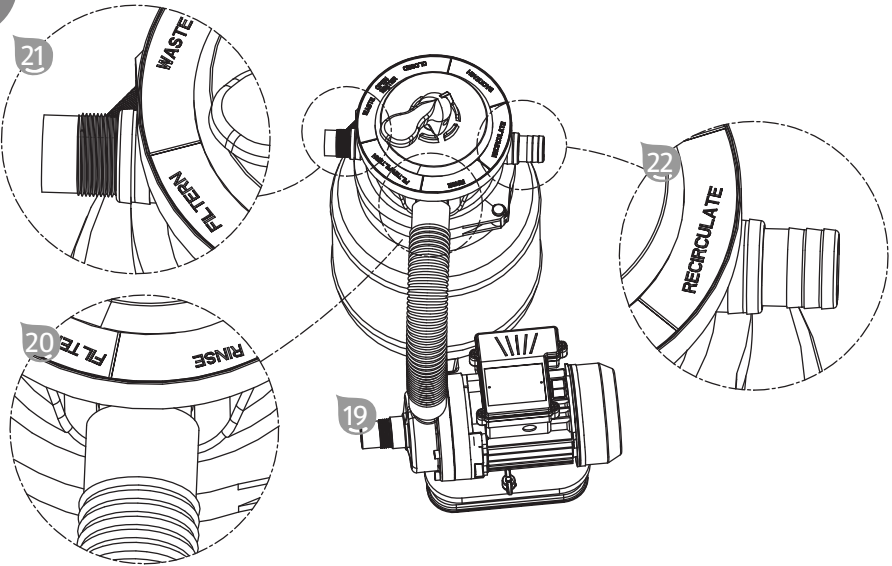
Classic 250N

Active Balls+



de	Filteranlage.....	5	en	Filter system.....	30
fr	Système de filtration.....	54	it	Impianto filtro.....	80
es	Instalación de filtrado.....	105	cs	Filtrační zařízení.....	131
hu	Szűrő berendezés.....	155	sl	Filrska naprava.....	180
sk	Filtračné zariadenie.....	205	pl	Urządzenie filtrujące.....	230
ro	Instalație de filtrare.....	255	hr	Sustav filtriranja.....	280
bg	Филтърна система.....	305	tr	Filtre sistemi.....	332



A**B**

Package contents/components

- | | |
|-----------------------|---|
| 1 Valve head | 9 Base plate |
| 2 Filter vessel | 10 Screw set for fastening the pump (2x) |
| 3 Pump | 11 Pressure hose |
| 4 Vessel seal | 12 Hose clamp (2x) |
| 5 Locking ring | 13 Manometer |
| 6 Screen | 14 Allen wrench |
| 7 Centering device | 15 Teflon tape |
| 8 Drainage screws set | 16 Filter balls (only with the Active Balls+ model) |
| | Operating instructions (without illustration) |

Operating elements

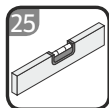
- | | |
|-------------------------|--------------------------|
| 17 Drainage opening | 21 Return line "RETURN" |
| 18 Bleeder screw | 22 Backwash line "WASTE" |
| 19 Suction line | 23 Valve lever |
| 20 Pressure line "PUMP" | |

Required tools not included in the package

- 24 Phillips screwdriver PH1



- 25 Spirit level



Optionally available accessories

- 26 Return line adapter INTEX Pools/Speed Clean; art. 040934

Contents

Overview	2
Package contents/components	29
General Information	31
Read and keep the operating instructions.....	31
Intended use.....	31
Explanation of Symbols	31
Safety	32
Unpacking and checking the package contents	35
Preparation	36
Initial cleaning of the device.....	36
Choosing the location.....	36
Filter shaft.....	37
Preparing the filter vessel.....	37
Mounting the pump on the base plate.....	39
Hose connections	40
Before First Use	41
Check the following before start-up.....	41
Preparing the filter system.....	41
Backflushing.....	42
Operation	42
Modes.....	42
Filtering time.....	44
Exchanging the filter medium.....	45
Winter storage.....	45
Operation with floor cleaner.....	46
Care instructions.....	46
Cleaning	46
Test	47
Storage	47
Troubleshooting	48
Technical data	49
Spare parts	50
Declaration of Conformity	51
Disposal	52
Disposing of the packaging.....	52
Disposing of used appliances.....	52

General Information

Read and keep the operating instructions



These operating instructions are a part of this filter system (in the following also called "device"). It contains important information about start-up and operation.

Read the operating instructions and especially the safety instructions carefully before using the device. Non-observance of these operating instructions can lead to severe injuries or damage to the device.

The operating instructions are based on the standards and regulations in effect in the European Union. Also observe country-specific directives and laws abroad.

Keep the operating instructions for further use. If you pass on the device to a third party, you must pass on these operating instructions as well.

Intended use

This device has been designed exclusively for cleaning pool water. It can be used in salt water as long as the salt content of the water is less than 0.5% (salt electrolysis). It removes visible dirt and is suited for all standard pools with a hose connection of \varnothing 32/38 mm.

The filter medium in the filter tank filters dirt particles out of the flowing water and serves as permanent dirt and floating debris filter for your pool water. The cleaned water flows back into the pool via the 7-way valve and the return line.

Use exclusively quartz filter sand that meets the DIN EN 12904 directive as filter medium. Alternatively, use Steinbach Filter Balls. Please refer to the section "Technical data" for the required quantities.

This product is exclusively intended for private use and not suited for the commercial sector. Only use the device as described in these operating instructions. Any other use is considered inappropriate and may lead to material damage or even injury. The device is not a toy.

The manufacturer or retailer will not assume any liability for damage caused by inappropriate or incorrect use.

Explanation of Symbols

The following symbols are used in these operating instructions, on the device or on the packaging.



This symbol provides you with useful additional information on handling and use.



Products marked with this symbol meet all the applicable Community regulations of the European Economic Area.



Never use a sharp knife or other pointed object to open the packaging. You may damage the contents.

Safety

The following signal words are used in these operating instructions.

⚠ WARNING!

This signal symbol/word denotes a hazard with an average risk level that could lead to death or severe injury if it is not avoided.

⚠ CAUTION!

This signal symbol/word denotes a hazard with a low risk level that could lead to mild or moderate injury if it is not avoided.

NOTICE!

This signal word provides a warning about potential material damage.

General safety instructions

⚠ WARNING!

Risk of electric shock!

Faulty electric installation or excess mains voltage can cause an electric shock.

- Only connect the power cable if the mains voltage of the socket matches that on the type plate.
- Only connect the power cable to an easily accessible socket so that you can quickly disconnect it in the case of a fault.
- Only operate the device on a grounded socket secured with at least 16A.
- The device must be powered via a residual current device with a rated residual current of at most 30 mA.
- Do not operate the device if it shows visible damage or if the power cable is defective.

- Do not open the device; leave repairs to an expert. Contact the service address on the back of the instruction manual for this purpose. All liability and warranty claims will be void in the case of arbitrary repairs, improper connection or wrong operation.
- Never touch the power cable with wet hands.
- Never pull the power cable out of the socket by the cable; always hold it by the plug.
- Never use the power cable as a carrier handle.
- Keep the device and the power cable away from naked flames and hot surfaces.
- Do not place any objects on the power cable.
- Do not bury the power cable.
- Route the power cable such that no one can trip over it.
- Do not kink the power cable and do not place it over sharp edges.
- Only use extension lines, if required, that are also suitable for outdoor use. Using an extension line that is suited for outdoor use reduces the risk of electric shock.
- Do not use the device during a thunderstorm. Switch it off and pull the power cable out of the socket.
- Always switch off the device and disconnect it from the power supply if you are not using the device, when cleaning it or in the case of a fault.
- Only components that meet the original device data must be used for repair. There are electric and mechanical components in this device that are indispensable for hazard protection.
- Only use spare parts and accessory parts supplied or recommended by the manufacturer. All warranty claims will be void when using third-party components.

⚠ WARNING!

Danger to children and persons with reduced physical, sensory or mental capacities (such as partially disabled persons/older persons with reduced physical and mental capacities) or persons lacking experience and knowledge (such as older children).

Improper handling of the device can lead to severe injury or damage to the device.

- Only allow others to access the device after they have read and comprehended the entire manual or have been instructed about the intended use and the associated risks.
- Never let persons with reduced physical, sensory or mental capacities (such as children or drunk people) or a lack of experience and knowledge unsupervised near the device.
- Never allow children and persons with limited physical, sensory or mental capacities or persons lacking the respective experience and knowledge to operate the device.
- Do not let children clean or service the device.
- Children are not allowed to play with the device or with the power cable.
- Install the filter system at a sufficient distance to the pool wall so that it cannot be used as an aid for entering the pool.

⚠ WARNING!

Risk of injury through insufficient qualification!

Insufficient experience or skills for handling the required tools and insufficient knowledge of regional or normative regulations for the required work can lead to severe injuries or material damage.

- Assign all work whose risks you cannot estimate due to insufficient personal experience to a qualified expert.

- Do not operate the device under the influence of drugs, alcohol or medication or if you are tired.

NOTICE!

Improper handling of the device can damage the device.

- Select a location for the device that is protected from the weather.
- Do not let the device run dry (without water).
- Before switching anything on the valve head, turn the filter pump off.
- Never place the device or parts of it in the pool.
- Do not use the device if there are persons in the water.

Unpacking and checking the package contents

NOTICE!

Careless opening of the packaging, especially with the help of sharp or pointed objects, may cause damage to the device.

- Open the packaging very carefully.
- Do not penetrate the packaging with sharp or pointed objects.

⚠ WARNING!

Packaging materials pose a risk of suffocation!

Catching your head in the packaging foil or swallowing other packaging materials can cause death. There is a higher risk for children and mentally challenged persons who cannot estimate the hazard potential due to lack of knowledge and experience.

- Prevent children and mentally challenged persons from playing with the packaging materials.

NOTICE!

There is a higher risk of damage to the device if it is stored or transported without the packaging.

- Do not dispose of the packaging.
- In the case of damage, substitute the packaging with an at least similar box.

Checking the delivery for completeness and damage

1. Open the packaging carefully.
2. Take all parts out of the packaging.
3. Check the completeness of the delivery.
4. Check the delivery for damage.

Preparation

Initial cleaning of the device


1. Remove the packaging materials and all protective foils if present.
2. Clean all parts of the package content as described in the "Cleaning" section.

The device has been cleaned and is ready for use.

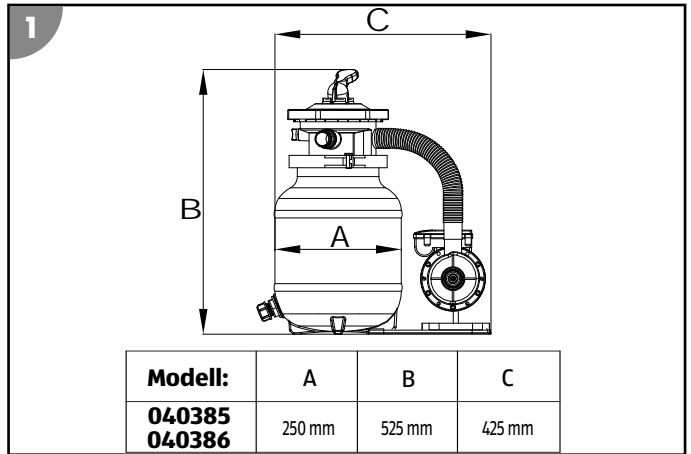
Choosing the location



The filter system is sufficiently protected from water penetration and foreign objects. We nonetheless recommend choosing a site that is protected from the weather.

- Position the filter system between the suction opening and the injection nozzle.
- Position the pump below the pool's water level.
- Ensure sufficient distance to the pool wall so that the filter system cannot be used as an aid for entering the pool.
- Make sure that the maximum distance of 2 meters to the pool is not exceeded.
- Install the filter system on a solid base such as a large concrete patio stone. Use a spirit level  to make sure it is level.

Product dimensions:



Filter shaft



A filter shaft is required if the pool is partially or entirely installed in the ground so you can place the pump of the filter system below the pool's water level.

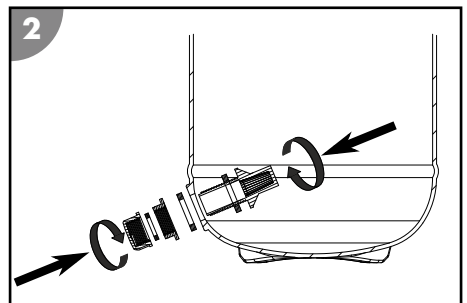
- Make sure that the filter shaft cannot be flooded and that ambient and rainwater can drain away easily.

You can do so by installing a gravel layer at the bottom of the shaft. An optional immersion pump with a float switch that is connected to a canal or drain additionally protects your filter system from rising water inside the shaft.

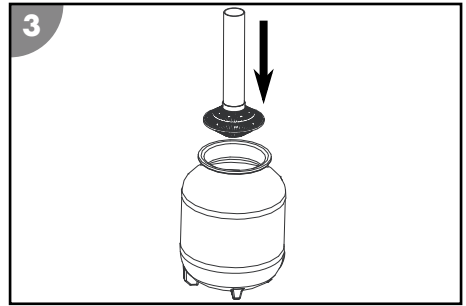
- Ensure sufficient natural ventilation of the shaft to prevent condensation.
- Design the size of the filter shaft so that you can carry out work on the filter system.

Preparing the filter vessel

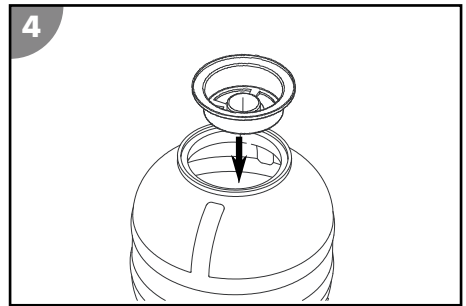
1. Undo the locking ring **5** by turning the screw counter-clockwise. Use the Allen wrench **14** for this purpose.
2. Put aside the locking ring and its screws.
3. Mount the drainage screws set **8** on the drainage opening **17**.



4. Insert the screen **6** in the filter vessel **2**.
5. Position the screen in the center of the filter vessel bottom.
6. Fill the filter vessel **2** approximately 1/3 with water.



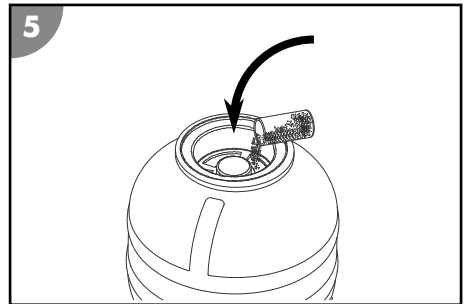
7. Attach the centering device **7** to the opening of the filter vessel so that it centers the pipe of the screen.



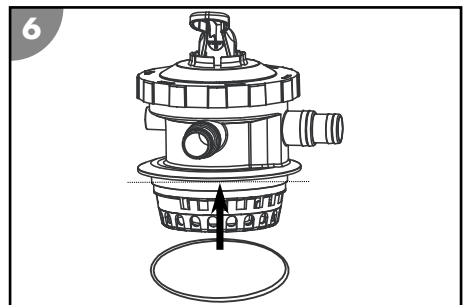
8. Fill the filter vessel with quartz filter sand or filter balls **16**.

Please refer to the section "Technical data" for the required quantities.

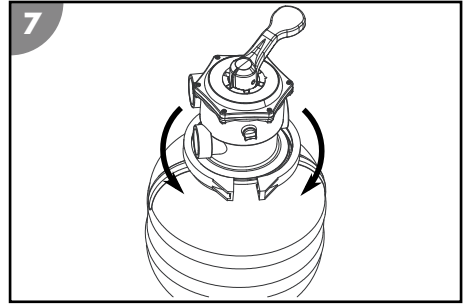
9. Remove the centering device from the opening of the filter vessel.
Store the centering device for the next filling.



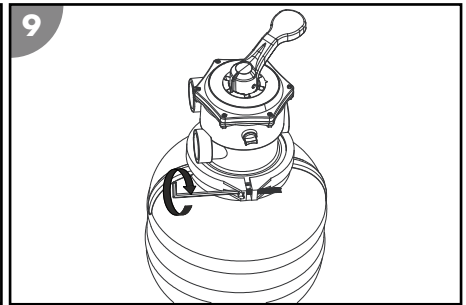
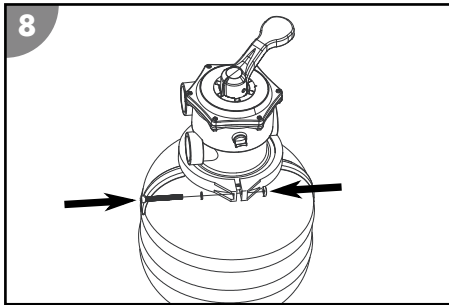
10. Guide the vessel seal **4** over the bottom of the valve head **1**.
11. Place the valve head on the filter vessel.
12. Align the valve head so that the "PUMP" connection points towards the future position of the pump (see illustration in the section "Mounting the pump on the base plate").



13. Place the locking ring **5** around the valve head and filter vessel connecting point.



14.



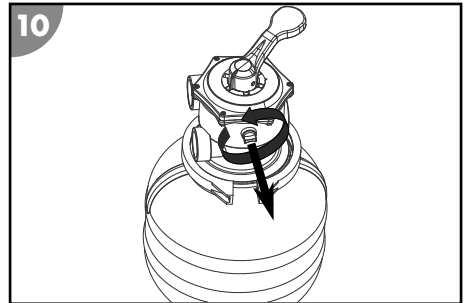
Insert the screws of the locking ring and tighten them clockwise.

15. Remove the bleeder screw **18** on the valve head by turning it counter-clockwise.

16. Wrap the manometer thread **13** with Teflon tape **15**.

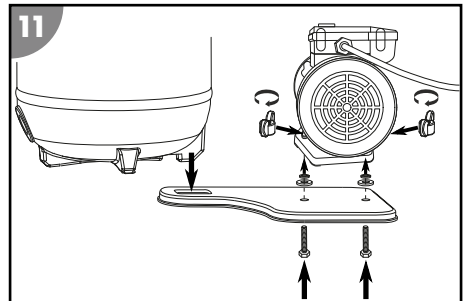
17. Screw in the manometer at the removal position of the bleeder screw by turning it clockwise.

The filter vessel is prepared.



Mounting the pump on the base plate

1. Insert the threaded screws of the screw set for fastening the pump **10** from below into the two hexagonal holes in the base plate **9**.
2. Place the pump **3** on the base plate **9** so that the threads protrude through the fastening opening in the pump base.
3. Push the washer and then the serrated lock washer over the screw thread.



- Put on one winged screw each and tighten it.

The pump is mounted on the base plate.

- Connect the base plate **9** to the filter vessel **2**.

The base plate is connected to the filter vessel.

Hose connections

- Fasten all attached hose connections with hose clamps to ensure that the system does not leak.

We recommend additionally sealing the hose connections with Teflon tape **15**.

- Use suitable pool hoses for the described connections.



Some hoses, such as the pressure hose, are very stiff. Place them in the sun before use so that the heat makes them more flexible.

Connecting the return line



You can use hoses with diameters of 32 or 38 mm or an INTEX Pools/Speed Clean **26** return line adapter.

- Press and hold down the valve lever **23** on the valve head **1**.
- Set the valve lever to the "CLOSED" position and release it.
- Connect one end of the hose to the "RETURN" connection on the valve head **1**.
 - Attach a hose with a 32 mm diameter to the "RETURN" connection and fasten it with a hose clamp.
 - Screw the INTEX Pools/Speed Clean **26** return line adapter clockwise onto the return line **21** on the valve head **1**.
 - Slide a hose with a 38 mm diameter over the thread up to the stop of the "RETURN" connection and fasten it with a hose clamp.
- Connect the second end to the connection on the injection nozzle of the pool.

*The return line **21** is connected.*

Connecting the pressure line

- Attach one end of the pressure hose **11** to the top pump connection **3**.
- Place a hose clamp **12** over the pressure hose. Using a Phillips screwdriver PH1 **24**, turn the screw on the hose clamp clockwise to tighten the hose clamp over the connection.
- Place the second hose clamp over the pressure hose.
- Attach the end of the pressure hose to the "PUMP" connection on the valve head **1**.

5. Position the hose clamp on the connection and tighten this one as well with a Phillips screwdriver.

*The pressure line **3** is connected.*

Connecting the suction line



You can use hoses with diameters of 32 or 38 mm.

1. Connect the suction line hose **19** with the front pump connection.

The suction line is connected.

Connecting the backwash line



A rubber stopper is inserted in the "WASTE" connection at the factory. You can leave this stopper in, if you are not using the backwash line (e.g. when using filter balls as filter medium), to protect the device from dirt and insects entering the system.

1. Pull the rubber stopper out of the "WASTE" connection in the valve head **1**.
2. Connect one end of the hose to the "WASTE" connection.
3. Guide the second hose end towards the channel connection.

*The backwash line **22** is connected.*

Before First Use

Check the following before start-up

1. Make sure that the pump's power cable is disconnected from the power supply.
2. Make sure that the device is located outside the pool and below the water level.
3. Make sure that all feed and drain lines are correctly connected and fastened in place.
4. Make sure that the pool's water level is at least 2.5 to 5 cm above the opening of the suction line. If this is not the case, top up the pool.
5. Remove the stopper on the suction line if applicable.
6. Open the shut-off valve on the suction line.

The filter system fills automatically with water because it is below the water level.

Preparing the filter system

1. Press and hold down the valve lever **23** on the valve head **1**.
2. Set the valve lever to the "BACKWASH" position and release it.
3. Allow the filter vessel **2** to fill with water until the water runs out of the "WASTE" backwash line **22**.

4. Check the filter system and the connections for leaks.
In the case of leaks, wrap extra Teflon tape **15** around the affected connections.
5. Backwash the system (see section "Backwashing").

Backflushing



Do not backwash when using Steinbach Filter Balls. If the filter throughput decreases, we recommend washing the filter balls by hand. If necessary, exchange the filter balls.

1. Switch the pump **3** off by pulling the power plug.
2. Connect the backwash line (see section "Connecting the backwash line").
3. Press and hold down the valve lever **23** on the valve head **1**.
4. Set the valve lever to the "BACKWASH" position and release it.
5. Connect the pump's power plug to the power supply.
6. Backwash the system until clean water emerges from the backwash line (max. 2 minutes).
7. Switch the pump **3** off by pulling the power plug.
8. Press and hold down the valve lever **23** on the valve head **1**.
9. Set the valve lever to the "RINSE" position and release it.
10. Connect the pump's power plug to the power supply.
11. Let the pump run for 20 to 30 seconds to remove any residue in the valve head.
12. Switch the pump **3** off by pulling the power plug.

The backwashing is completed.

Operation

CAUTION!

Risk of injury!

A damaged device or damaged accessories may cause injuries.

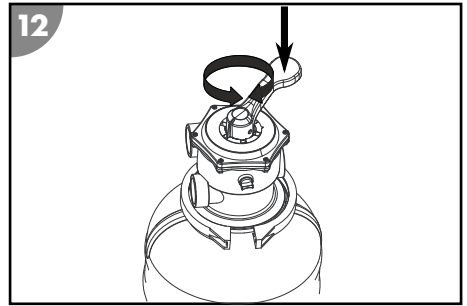
- Check the device and the accessories (see section "Testing").

Modes

To set the modes listed below, proceed as follows:

1. Switch the pump **3** off by pulling the power plug.
2. Press and hold down the valve lever **23** on the valve head **1**.
3. Turn the valve lever to the desired position and let go.

The desired mode is set.



FILTER

- Use this mode as the basic setting of your filter system.

The sucked-in pool water flows into the filter vessel through the top and flows through the filter medium. Dirt is filtered out in the process and the water is returned to the pool afterwards.

BACKWASH

Do not backwash when using Steinbach Filter Balls. If the filter throughput decreases, we recommend washing the filter balls by hand. If necessary, exchange the filter balls.

- Let the pump run in this mode for at most 2 minutes if starting it up for the first time or if new quartz filter sand was filled in, or if the manometer shows 0.3 to 0.6 bar above the normal operating pressure to clean the filter and the quartz filter sand.

The water is guided into the bottom part of the filter vessel and flows through the entire filter. Collected dirt is detached and flushed out via the backwash line.

RINSE

- Let the pump run for 20 to 30 seconds in this mode right after backwashing, refilling the quartz filter sand or after initial start-up.

The water is guided into the top part of the filter vessel and the valve head is rinsed. The water drains via the dirt line. The valve head is cleaned this way.

RECIRCULATE

- Run this mode after treating the water with chemicals.

The water is guided directly from the valve head to the pool without flowing through the filter. The filter medium does not come into contact with the applied chemicals this way.

CLOSED

NOTICE!

Risk of damage!

- Never switch on the pump in this mode!
- Use this mode to clean the prefilter (if available) or checking the system for leaks and sealing the affected spots.

The water flow in the pump and in the filter is blocked. Make sure that feed and drain hoses are filled with water and might have to be closed off with shut-off valves or plugs.

WASTE

NOTICE!

Risk of damage!

- The pool can only be drained up to the minimum water level at the height of the suction line. Make sure to switch the pump off once this level is reached to prevent the pump from running dry.
- Use this mode to clean the pool in the case of heavy soiling.

The water is guided past the filter and discharged directly via the backwash line.

WINTER

NOTICE!

Risk of damage!

- Never switch on the pump in this mode!
- Use this mode to store the filter system in the winter.

The valve lever is in an intermediate position which relieves the inner valve components.

Filtering time

The pool's water content should be turned over at least three to five times in 24 hours depending on the use and the size of the system. The operating time depends on the output of the filter system and the pool size.

Exchanging the filter medium



The applied filter medium (quartz filter sand or Steinbach Filter Balls) should be exchanged every 2 to 3 years, depending on the operating period and the degree of soiling of the device.

1. Switch the pump **3** off by pulling the power plug.
2. Close the shut-off valves or block the water flow to the pool's connecting hoses.
3. Open the screw cap on the drainage opening **17** by twisting it counter-clockwise.
4. Completely drain the water from the filter vessel **2** via the drainage opening.
5. Place the screw cap on the drainage opening and screw it down by turning it counter-clockwise.
6. Undo the locking ring **5** by turning the screw counter-clockwise. Use the Allen wrench **14** for this purpose.
7. Put aside the locking ring and its screws.
8. Slowly turn the filter vessel on its head and remove the quartz filter sand or the filter balls.
9. Remove the screen **6**.
10. Thoroughly rinse the screen under flowing water.
11. Rinse the filter vessel with plain water.
12. Carry out steps 4 to 12 as described in the "Preparing the filter vessel" section.

The filter medium is exchanged.

Winter storage

1. Switch the pump **3** off by pulling the power plug.
2. Close the shut-off valves or block the water flow to the pool's connecting hoses.
3. Uninstall the connecting lines to the pool and drain the hoses.
4. Lift the pump and drain it via the two connections.
5. Remove the filter medium. To do so, carry out steps 3 to 11 in the "Exchanging the filter medium" section.

If you are using filter balls, wash these by hand and let them dry completely.

6. Rinse the filter system with tap water.
7. Let the filter system dry completely.
8. Press and hold down the valve lever **23** on the valve head **1**.
9. Turn the valve lever to the "WINTER" position and let go.

The device can be stored over the winter.

Operation with floor cleaner






Use a skimmer with a screen basket or similar device if your filter system does not feature a prefilter to prevent foreign objects from damaging the device.

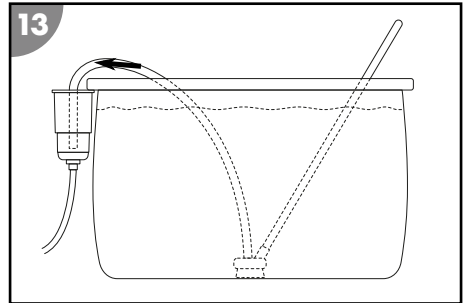


Observe the instruction manual notes of the floor cleaner. Air must not penetrate the filter system to prevent the system running dry and overheating.

You can connect the hose of the floor cleaner directly to the suction line of the filter system. The hose of the floor cleaner must be completely filled with water.

1. Switch the pump  off by pulling the power plug.
2. Press and hold down the valve lever  on the valve head .
3. Set the valve lever to the "FILTER" position and release it.

In the case of very dirty water, you can select the "WASTE" mode alternatively (see section "Modes").



The floor cleaner is connected to the filter system.

Care instructions

The filter system cannot filter out algae, bacteria and other microorganisms.

- Use special water care substances to prevent and remove these to ensure hygienically clean water.
- Consult an expert and observe the dosage.

Cleaning

NOTICE!

Improper cleaning might damage the device.

- Clean the surface of the device with plain water after each use.
- Do not use any aggressive cleaning agents.
- Do not use any sharp or metal objects such as knives, hard scrapers or similar.
- Do not use any cleaning brushes.
- Do not use a high-pressure cleaner.

Test

Check the following before each use:

- Is there visible damage on the device?
- Is there visible damage on the control elements?
- Are the accessories in perfect condition?
- Are all lines in perfect condition?
- Is the feed unblocked?
- Are the ventilation slots clear and clean?

Do not start up a damaged device or damaged accessories. Have them checked by the manufacturer or its customer service or a qualified service technician.

Storage

1. Thoroughly clean the device (see section "Cleaning").
2. Remove all lines, the pump and the filter vessel.
3. Let the device dry completely after cleaning.
4. Store the device in a dry and frost-free location ($\geq +5$ °C) without direct sunlight.

Troubleshooting

Problem	Possible cause	Remedy
The pressure on the manometer exceeds 1 bar.	The quartz filter sand is dirty.	Backwash the system (see section "Backwashing").
	The filter balls are dirty.	Remove and wash the filter balls by hand. Exchange the filter balls if necessary.
Air bubbles escape from the injection nozzle.	The filter pump sucks in air.	Check all hoses and seals for leaks. Retighten the hose clamps.
The filter pump is not getting enough water or the system pressure is too low.	The water level in the pool is too low.	Raise the water level in the pool.
	The prefilter basket (if available) is in place.	Empty the prefilter basket.
	The suction line is installed.	Clean the pressure line.
The filter pump does not start.	The pump has no power.	Connect the pump's power plug to the power supply. Check whether the fuse has triggered.
	The pump is defective.	Contact customer service.
There is quartz filter sand in the pool	The quartz filter sand was topped up.	Backwash the system until the water runs clear. See section "Backwashing".

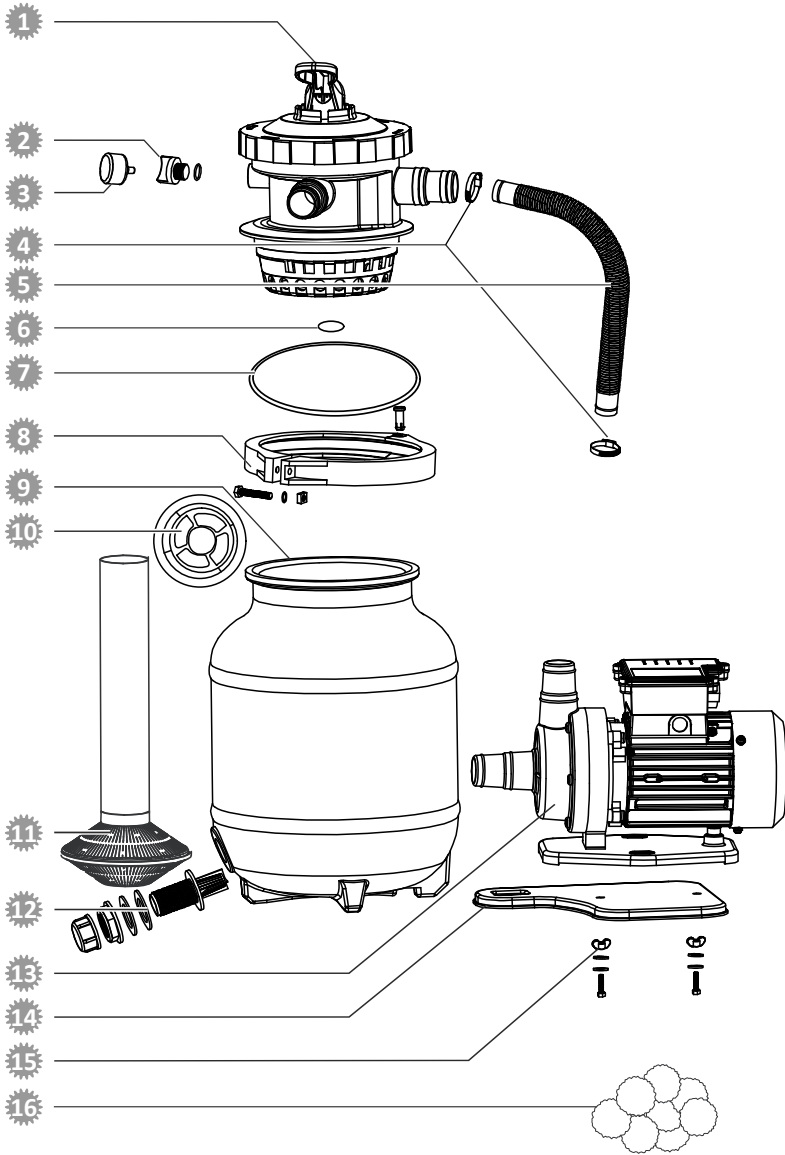
If the problem cannot be solved, contact the customer service listed on the last page.

Technical data

Model	040385 / 040386
Article number	040385 / 040386
Filter pump model	CPS 40-2; art. no. 040955
Turnover	3,800 l/h
Type of pump	not self-suctioning
max. water temperature	35°C
Power supply	220-240 V~ 50/60 Hz
Output	200 W
Design	7-way valve with manometer
Vessel Ø	250 mm
Connection	Ø 32/38 mm
Pump installation	on base plate
required quantity of filter balls	approx. 0.3 kg
required quantity of quartz filter sand	approx. 10 kg, DIN EN 12904
recommended grain size	0.7 to 1.2 mm
suited for pools up to	19,000 l water content
Optionally available	Steinbach container and Steinbach UV disinfection system

Spare parts

14



- 1 040866 - valve head
- 2 040842 - bleeder screw (incl. seal)
- 3 040952 - manometer
- 4 040946 - hose clamp (2x)
- 5 040869 - pressure hose
- 6 040843 - valve head seal
- 7 040829 - vessel seal
- 8 040845 - locking ring (incl. screw fitting)
- 9 040865 - filter vessel
- 10 040849 - centering device
- 11 040867 - screen
- 12 040852 - drainage screws set
- 13 040955 - pump
- 14 040868 - base plate
- 15 040978 - screw set for fastening pump (2x)
- 16 040050 - filter balls

Declaration of Conformity



Steinbach International GmbH hereby declares that the filter pump meets the following directives:

- EMC Directive (2014/30/EU)
- EN55014-1: 2017; EN55014-2: 2015; EN61000-3-2: 2014; EN61000-3-3: 2013
- AfPS GS 2019:01 PAK
- EN 60335-2-41: 2003 / A2:2010; EN 60335-1:2012 / A2: 2019; EN 62233:2008
- EC Directive (2014/35/EU)

You can request the complete text of the EU Declaration of Conformity from the address stated at the end of this instruction manual.

Disposal

Disposing of the packaging

Sort the packaging before you dispose of it. Dispose of paperboard and cardboard with the recycled paper service and wrappings with the appropriate collection service.

Disposing of used appliances



Used appliances do not belong in the household waste!

If the device can no longer be used, each consumer **is obligated by law to drop off used appliances separate from the household waste** at a municipal collection point. This ensures that used appliances are recycled properly and negative effects on the environment are avoided. Therefore electrical appliances are marked with the above symbol.