

Originalbetriebsanleitung / Original owner's manual / Notice originale / Istruzioni originali / Manual original / Původní návod k používání / Eredeti használati utasítás / Izvirna navodila / Pôvodný návod na použitie / Instrukcja oryginalna / Instrucțiuni originale / Originalne upute / Оригинална инструкция / Oriđinal kullanim talimatları

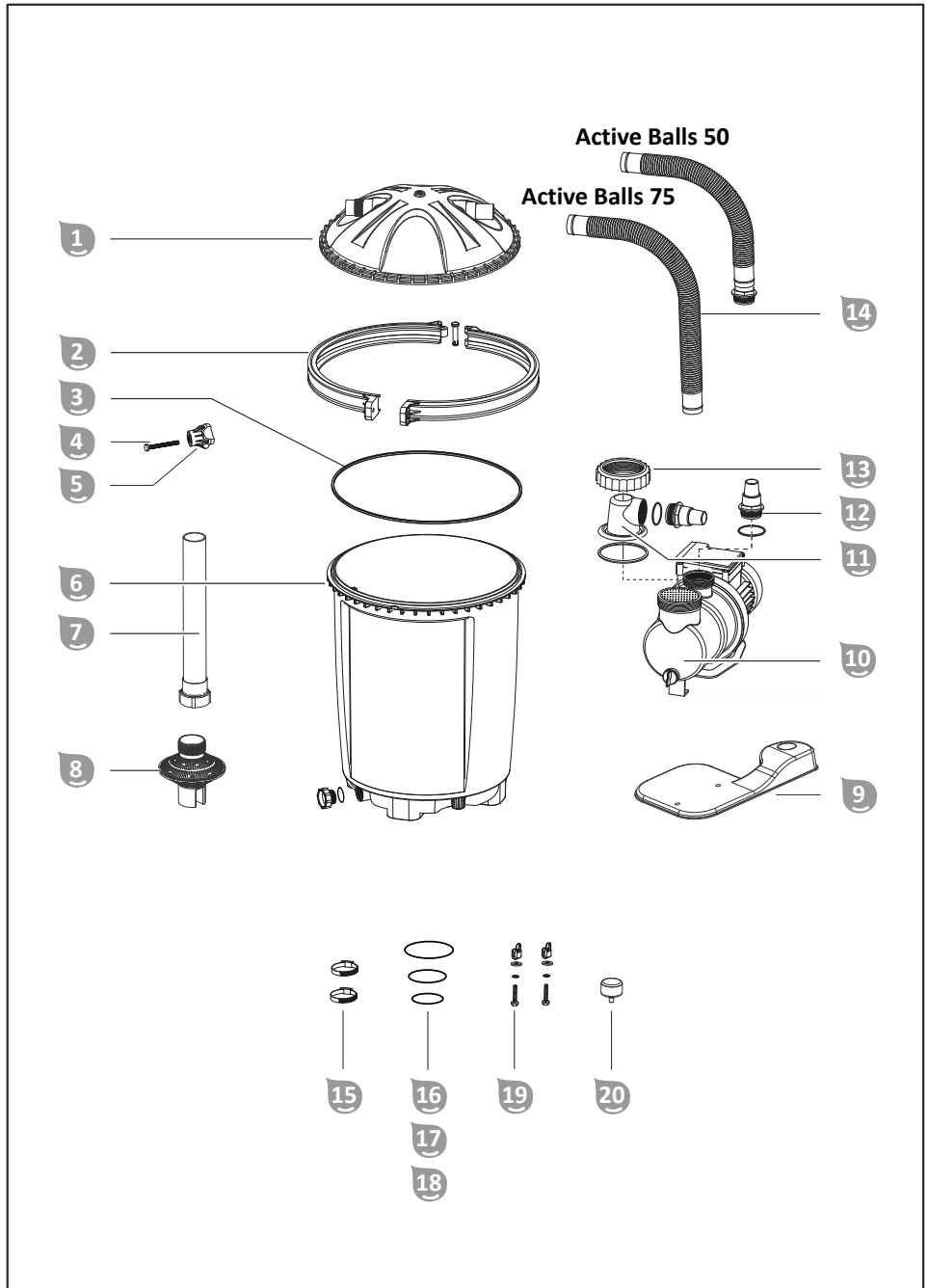
## Filteranlage

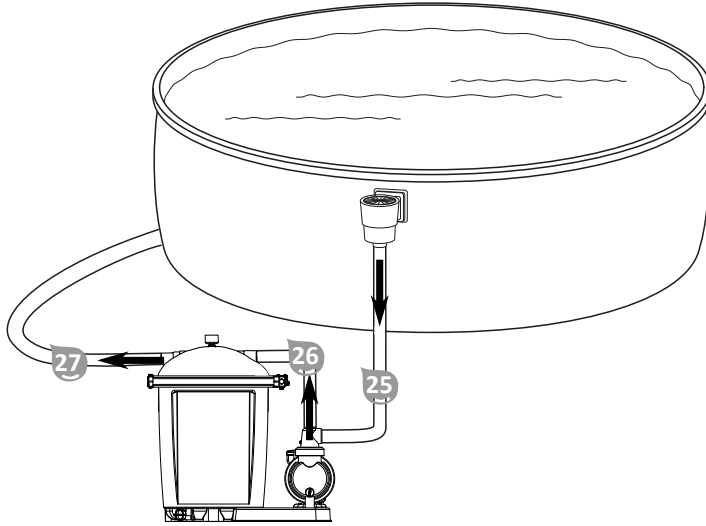
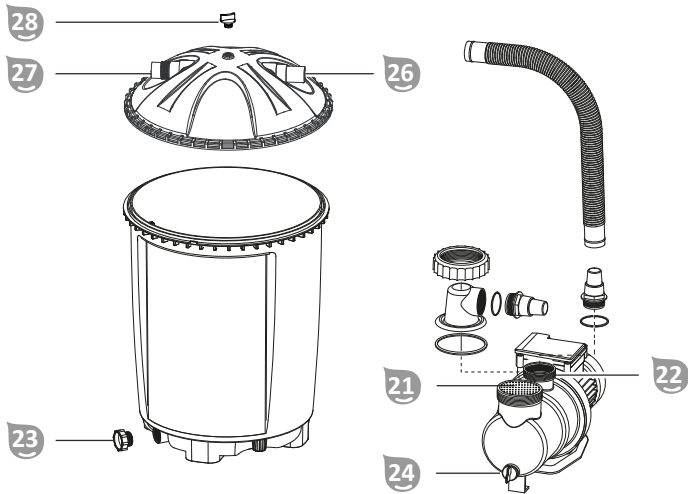
Active Balls 50

Active Balls 75



<b>de</b>	Filteranlage.....	5	<b>en</b>	Filter system.....	34
<b>fr</b>	Système de filtration.....	62	<b>it</b>	Impianto filtro.....	91
<b>es</b>	Instalación de filtrado.....	120	<b>cs</b>	Filtrační zařízení.....	149
<b>hu</b>	Szűrő berendezés.....	177	<b>sl</b>	Filrska naprava.....	206
<b>sk</b>	Filtračné zariadenie.....	234	<b>pl</b>	Urządzenie filtrujące.....	262
<b>ro</b>	Instalație de filtrare.....	291	<b>hr</b>	Sustav filtriranja.....	320
<b>bg</b>	Филтърна система.....	349	<b>tr</b>	Filtre sistemi.....	380



**A****B**

## Package contents/ components

- |                      |  |
|----------------------|--|
| 1 Filter cover       | 12 Hose adapter (2x)                     |
| 2 Locking ring       | 13 Threaded ring                         |
| 3 Filter vessel seal | 14 Pressure hose                         |
| 4 Locking ring bolt  | 15 Hose clamp (2x)                       |
| 5 Wing nut           | 16 O-ring seal, large (Ø 79 mm)          |
| 6 Filter vessel      | 17 O-ring seal, medium (Ø 54 mm)         |
| 7 Riser pipe         | 18 O-ring seal, small (Ø 45 mm)          |
| 8 Screen             | 19 Screw set for fastening the pump (2x) |
| 9 Base plate         | 20 Manometer                             |
| 10 Pump              | Teflon tape (no illustration)            |
| 11 Prefilter cover   | Instruction manual (no illustration)     |

## Components

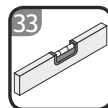
- |                     |                  |
|---------------------|------------------|
| 21 Prefilter        | 27 Return line   |
| 22 Pump outlet      | 28 Bleeder screw |
| 23 Drainage opening | 29 Timer         |
| 24 Drain screw      | 30 ON/OFF button |
| 25 Suction line     | 31 Timer button  |
| 26 Pressure line    |                  |

## Required tools not included in the package

- 32 Phillips screwdriver PH1



- 33 Spirit level



# Contents

<b>Overview</b> .....	<b>2</b>
<b>Package contents/components</b> .....	<b>33</b>
<b>General Information</b> .....	<b>36</b>
<b>Explanation of Symbols</b> .....	<b>36</b>
<b>Safety</b> .....	<b>37</b>
<b>Unpacking and checking the package contents</b> .....	<b>40</b>
<b>Preparation</b> .....	<b>41</b>
Initial cleaning of the device.....	41
Choosing the location.....	41
Filter shaft.....	42
<b>Description of the filter system</b> .....	<b>42</b>
Description of the filter system.....	42
How the timer works.....	43
Filtering time.....	44
Operation with floor cleaners.....	44
<b>Before First Use</b> .....	<b>44</b>
Check the following before start-up.....	44
Preparing the filter vessel.....	44
Initial start-up of the timer.....	46
Preparing the pump.....	46
Mounting the pump on the base plate.....	47
Hose connections .....	48
Preparing the filter system.....	49
<b>Operation</b> .....	<b>50</b>
Pump operation.....	50
Care instructions.....	50
<b>Maintenance</b> .....	<b>50</b>
Exchanging the filter medium.....	50
Replacing the timer battery.....	51
Winter storage.....	52
<b>Cleaning</b> .....	<b>52</b>
Cleaning the filter balls.....	52
<b>Test</b> .....	<b>53</b>
<b>Storage</b> .....	<b>53</b>
<b>Troubleshooting</b> .....	<b>53</b>
<b>Technical data</b> .....	<b>54</b>
Active Balls 50.....	54
Active Balls 75.....	54

<b>Spare parts</b> .....	<b>56</b>
Active Balls 50.....	56
Active Balls 75.....	58
<b>Declaration of Conformity</b> .....	<b>59</b>
<b>Disposal</b> .....	<b>59</b>

# General Information

## Read and keep the operating instructions



These operating instructions are a part of this filter system (in the following also called "device"). It contains important information about start-up and operation.

Read the operating instructions and especially the safety instructions carefully before using the device. Non-observance of these operating instructions can lead to severe injuries or damage to the device.

The operating instructions are based on the standards and regulations in effect in the European Union. Also observe country-specific directives and laws abroad.

Keep the operating instructions for further use. If you pass on the device to a third party, you must pass on these operating instructions as well.

## Intended use

This device has been designed exclusively for cleaning pool water. It can be used in salt water as long as the salt content of the water is less than 0.5% (salt electrolysis). It removes visible dirt and is suited for all standard pools with a hose connection of  $\varnothing$  32/38 mm.

The filter medium in the filter vessel filters dirt particles out of the flowing water and serves as a permanent dirt and floating debris filter for your pool water. The cleaned water flows through the filter cover in the return line back into the pool.

Only use Steinbach filter balls as a filter medium. Please refer to the section "Technical data" for the required quantities.

This product is exclusively intended for private use and not suited for the commercial sector. Only use the device as described in these operating instructions. Any other use is considered inappropriate and may lead to material damage or even injury. The device is not a toy.

The manufacturer or retailer will not assume any liability for damage caused by inappropriate or incorrect use.

## Explanation of Symbols

The following symbols are used in these operating instructions, on the device or on the packaging.



This symbol provides you with useful additional information on handling and use.



Products marked with this symbol meet all the applicable Community regulations of the European Economic Area.



Never use a sharp knife or other pointed object to open the packaging. You may damage the contents.

## Safety

The following signal words are used in these operating instructions.

### **WARNING!**

This signal symbol/word denotes a hazard with an average risk level that could lead to death or severe injury if it is not avoided.

### **CAUTION!**

This signal symbol/word denotes a hazard with a low risk level that could lead to mild or moderate injury if it is not avoided.

### **NOTICE!**

This signal word provides a warning about potential material damage.

## General safety instructions

### **WARNING!**

#### **Risk of electric shock!**

Faulty electric installation or excess mains voltage can cause an electric shock.

- Only connect the power cable if the mains voltage of the socket matches that on the type plate.
- Only connect the power cable to an easily accessible socket so that you can quickly disconnect it in the case of a fault.
- Only operate the device on a grounded socket secured with at least 16A.
- The device must be powered via a residual current device with a rated residual current of at most 30 mA.
- Do not operate the device if it shows visible damage or if the power cable is defective.



- Do not open the device; leave repairs to an expert. Contact the service address on the back of the instruction manual for this purpose. All liability and warranty claims will be void in the case of arbitrary repairs, improper connection or wrong operation.
- Never touch the power cable with wet hands.
- Never pull the power cable out of the socket by the cable; always hold it by the plug.
- Never use the power cable as a carrier handle.
- Keep the device and the power cable away from naked flames and hot surfaces.
- Do not place any objects on the power cable.
- Do not bury the power cable.
- Route the power cable such that no one can trip over it.
- Do not kink the power cable and do not place it over sharp edges.
- Only use extension lines, if required, that are also suitable for outdoor use. Using an extension line that is suited for outdoor use reduces the risk of electric shock.
- Do not use the device during a thunderstorm. Switch it off and pull the power cable out of the socket.
- Always switch off the device and disconnect it from the power supply if you are not using the device, when cleaning it or in the case of a fault.
- Only components that meet the original device data must be used for repair. There are electric and mechanical components in this device that are indispensable for hazard protection.
- Only use spare parts and accessory parts supplied or recommended by the manufacturer. All warranty claims will be void when using third-party components.

**⚠ WARNING!**

**Danger to children and persons with reduced physical, sensory or mental capacities (such as partially disabled persons/older persons with reduced physical and mental capacities) or persons lacking experience and knowledge (such as older children).**

Improper handling of the device can lead to severe injury or damage to the device.

- Only allow others to access the device after they have read and comprehended the entire manual or have been instructed about the intended use and the associated risks.
- Never let persons with reduced physical, sensory or mental capacities (such as children or drunk people) or a lack of experience and knowledge unsupervised near the device.
- Never allow children and persons with limited physical, sensory or mental capacities or persons lacking the respective experience and knowledge to operate the device.
- Do not let children clean or service the device.
- Children are not allowed to play with the device or with the power cable.
- Install the filter system at a sufficient distance to the pool wall so that it cannot be used as an aid for entering the pool.

**⚠ WARNING!**

**Risk of injury through insufficient qualification!**

Insufficient experience or skills for handling the required tools and insufficient knowledge of regional or normative regulations for the required work can lead to severe injuries or material damage.

- Assign all work whose risks you cannot estimate due to insufficient personal experience to a qualified expert.

- Do not operate the device under the influence of drugs, alcohol or medication or if you are tired.

### **NOTICE!**

Improper handling of the device can damage the device.

- Select a location for the device that is protected from the weather.
- Never place the filter system in a cavity or directly on the lawn as this poses the risk of flooding and overheating.
- Do not let the device run dry (without water).
- Never place the device or parts of it in the pool.
- Do not use the device if there are persons in the water.

## **Unpacking and checking the package contents**

### **NOTICE!**

Careless opening of the packaging, especially with the help of sharp or pointed objects, may cause damage to the device.

- Open the packaging very carefully.
- Do not penetrate the packaging with sharp or pointed objects.

### **⚠ WARNING!**

#### **Packaging materials pose a risk of suffocation!**

Catching your head in the packaging foil or swallowing other packaging materials can cause death. There is a higher risk for children and mentally challenged persons who cannot estimate the hazard potential due to lack of knowledge and experience.

- Prevent children and mentally challenged persons from playing with the packaging materials.

## NOTICE!

There is a higher risk of damage to the device if it is stored or transported without the packaging.

- Do not dispose of the packaging.
- In the case of damage, substitute the packaging with an at least similar box.

### Checking the delivery for completeness and damage

1. Open the packaging carefully.
2. Take all parts out of the packaging.
3. Check the completeness of the delivery.
4. Check the delivery for damage.

## Preparation

### Initial cleaning of the device


1. Remove the packaging materials and all protective foils if present.
2. Clean all parts of the package content as described in the "Cleaning" section.

*The device has been cleaned and is ready for use.*

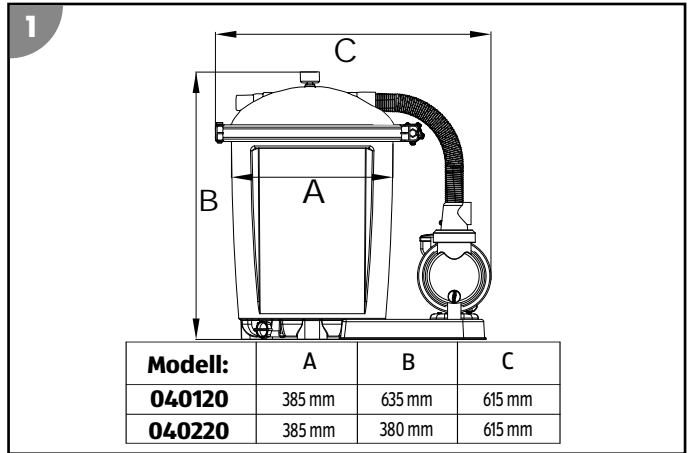
### Choosing the location



The filter system is sufficiently protected against the penetration of water and foreign objects. We nonetheless recommend choosing a site that is protected from the weather.

- Position the filter system between the suction opening and the injection nozzle.
- Ensure sufficient distance to the pool wall so that the filter system cannot be used as an aid for entering the pool.
- Make sure that the maximum distance of 3 meters to the pool is not exceeded.
- Install the filter system on a solid base such as a large concrete patio stone. Use a spirit level  to make sure it is level.

Product dimensions:



## Filter shaft



A filter shaft is required if the pool is partially or entirely installed in the ground so you can place the pump of the filter system below the pool's water level.

- Make sure that the filter shaft cannot be flooded and that ambient and rainwater can drain away easily.

*You can do so by installing a gravel layer at the bottom of the shaft. An optional immersion pump with a float switch that is connected to a canal or drain additionally protects your filter system from rising water inside the shaft.*

- Ensure sufficient natural ventilation of the shaft to prevent condensation.
- Design the size of the filter shaft so that you can carry out work on the filter system.

## Description of the filter system

### Description of the filter system

The filter balls in the filter vessel **6** serve as a dirt and floating debris filter. Contaminated pool water passes through the suction line **25** of the pool, through the filter pump **10** and the filter cover **1**, from the top into the filter vessel.

When the water flows through the filter balls, dirt particles are deposited and filtered out of the water.

The cleaned water flows through the filter cover in the return line **27** back into the pool.

If the manometer **20** on the filter cover rises above 1 bar, the filter balls are very dirty and must be cleaned.

## How the timer works

The pumps has an integrated timer.

When the desired filter pump running time is set (visible on the LED bar), the pump operates for the set time from the time of first start-up and stops for the rest of the time until 24 hours have passed. The colors of the LED display do not have any specific meaning.

Within a 24-hour period, you can only set one filter running time with the integrated timer. To set several intervals within a 24-hour period, you need an external timer (see example "External timer").

The timer has battery (see "Technical data"). If the power supply is disconnected or in case of a power outage, the start time and the running time are saved.

When the power supply to the pump is restored, the timer reactivates the pump at the set start time and for the set running time.




The ON/OFF button only stops the pump while it is running. The timer function can be deactivated only by disconnecting the pump from the power supply.

### Example: 6 hours running time

1. Connect the pump's power plug to the power supply.

*The running time display is lit.*

2. Press the timer button  several times, until the LED "6" is lit.

3. Press the ON/OFF button  to switch on the pump .

*The pump now runs for 6 hours nonstop. If you pressed the ON/OFF button at 12 PM, for instance, the filter system runs until 6 PM.*

*The timer activates the pump again at 12 PM.*

### Example: external timer

To use this mode a battery must be inserted and you need an external timer (not included in the package contents).

4. Connect the timer to the power supply and set the desired running times.

The timer must not supply power to the pump.

5. Connect the pump's power plug to the timer.

*The running time display is lit. If the display is not lit, the timer is inactive. Read the operating instructions of the timer.*

6. Press the timer button  several times, until the LED "24" is lit.

The 24-hour setting indicates continuous operation.

7. Press the ON/OFF button  to switch on the pump .

*The timer now controls the running times of the pump.*

## Filtering time

The pool's water content should be turned over at least three to five times in 24 hours depending on the use and the size of the system. The operating time depends on the output of the filter system and the pool size.

## Operation with floor cleaners

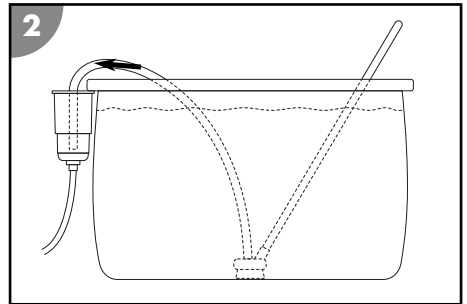


Use a skimmer with a screen basket or similar device if your filter system does not feature a prefilter to prevent foreign objects from damaging the device.



Observe the instruction manual notes of the floor cleaner. Air must not penetrate the filter system to prevent the system running dry and overheating.

You can connect the hose of the floor cleaner directly to the suction line of the filter system. The hose of the floor cleaner must be completely filled with water.



## Before First Use

### Check the following before start-up

1. Make sure that the pump's power cable is disconnected from the power supply.
2. Make sure that the device is located outside the pool and below the water level.
3. Make sure that all feed and drain lines are correctly connected and fastened in place.
4. Make sure that the pool's water level is at least 2.5 to 5 cm above the opening of the suction line. If this is not the case, fill the pool.

### Preparing the filter vessel

1. Remove the locking ring **2** by unscrewing the wing nut **5** counterclockwise.
2. Put aside the locking ring and its wing nut.
3. Screw the riser pipe **7** onto the screen **8**.

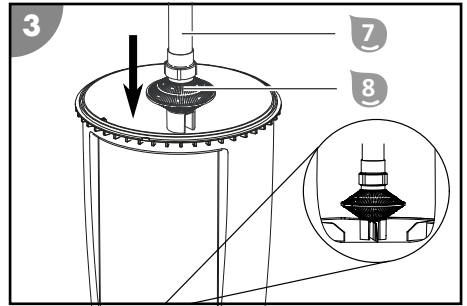
4. Position the riser pipe including screen **8** in the middle of the filter vessel bottom.

Make sure that the protrusion in the middle of the filter vessel bottom fits into the recess of the screen.

5. Fill the filter vessel **6** with Steinbach filter balls.

Please refer to the section "Technical data" for the required quantities.

6. Insert the vessel seal **3**. Check for any foreign objects in the groove and make sure that the seal is fitted correctly.



7. Align the notch on the outer edge of the filter cover **1** with the adjustment lug of the filter vessel.

8. Place the filter cover on the filter vessel.

Make sure that the riser pipe **7** is inserted into the recess at the bottom of the filter cover.

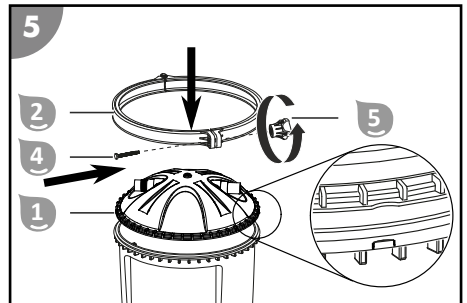
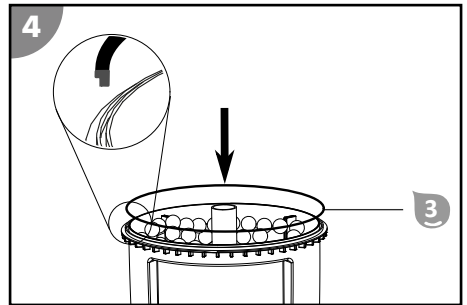
9. Place the locking ring **2** around the filter cover and filter vessel connecting point.

10. Insert the locking ring bolt **4** into the hexagon socket of the locking ring.

11. Pass the locking ring bolt through the hole on the opposite side of the clamping ring.

12. Place the wing nut **5** onto the thread and turn it clockwise to tighten it.

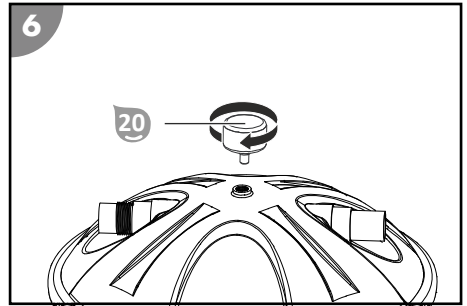
13. Remove the bleeder screw **28** on the filter cover by turning it counterclockwise.





14. Wrap the manometer thread 20 with Teflon tape.
15. Screw in the manometer at the removal position of the bleeder screw by turning it clockwise.

*The filter vessel is prepared.*



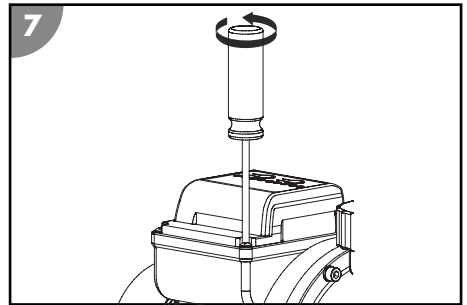
### Initial start-up of the timer



The timer is going to function flawlessly even if you do not perform the steps described below. However, should the power supply be interrupted, the saved filter running times will be lost.

1. Make sure that the pump's power cable is disconnected from the power supply.
2. Use a Phillips PH1 screwdriver to remove the screws of the timer cover (turn counterclockwise).
3. Remove the cover.
4. Pull out the strip of plastic from underneath the battery.
5. Replace the cover.
6. Screw in the screws clockwise.

*The timer's memory backup function is activated.*



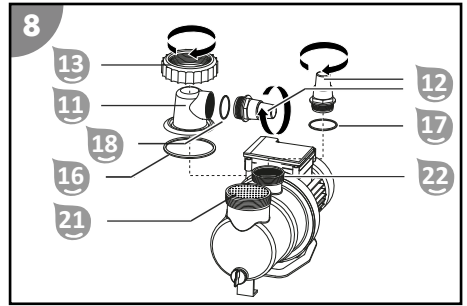
### Preparing the pump

At the time of delivery, the pump is only partially assembled.



Only hand-tighten all screw connections. Excessive tightening of the screw connections damages seals and plastic components. Do not use any tools. You can use Teflon tape to seal screw connections with minor leakage.

1. Loosen the threaded ring **13** on the prefilter cover **11** by turning it counterclockwise.
2. Lift the prefilter cover **11** with the threaded ring off the pump housing.
3. Insert the large O-ring seal **16** into the groove on the pump housing.
4. Insert the prefilter **21** into the pump.



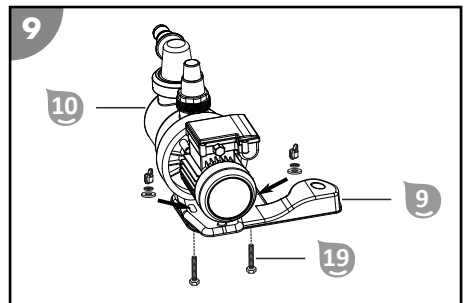
5. Check the O-ring seal for dirt or damage. Replace the seal if necessary.
6. Place the prefilter cover **11** on the pump housing.
7. Guide the threaded ring over the prefilter cover.
8. Turn the threaded ring clockwise until it is hand-tight.
9. Insert the small O-ring seal **18** into the prefilter cover.
10. Screw the hose connection clockwise into the prefilter cover until it is hand-tight.
11. Place the medium O-ring seal **17** into the recess of the pump outlet **22**.
12. Screw a hose adapter **12** clockwise into the pump outlet until hand-tight.

The Active Balls 50 filter system has the hose adapter assembled on the pressure hose.

*The pump is ready for operation. You can now connect it to the lines.*

## Mounting the pump on the base plate

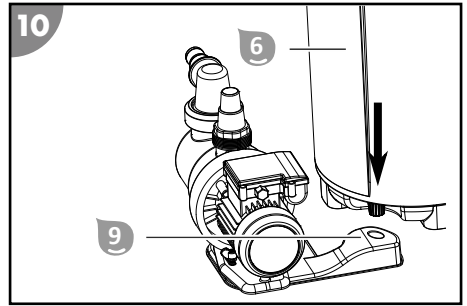
1. Insert the threaded screws of the screw set for fastening the pump **19** from below into the two hexagonal holes in the base plate **9**.
2. Place the pump **10** on the base plate **9** so that the threads protrude through the fastening opening in the pump base.
3. Push the washer and then the serrated lock washer over the screw thread.
4. Put on one winged screw each and tighten it.



The pump is mounted on the base plate.

5. Connect the base plate **9** to the filter vessel **6**.

The base plate is connected to the filter vessel.



## Hose connections

- Fasten all attached hose connections with hose clamps to ensure that the system does not leak.

We recommend additionally sealing the hose connections with Teflon tape.

- Use suitable pool hoses for the described connections.

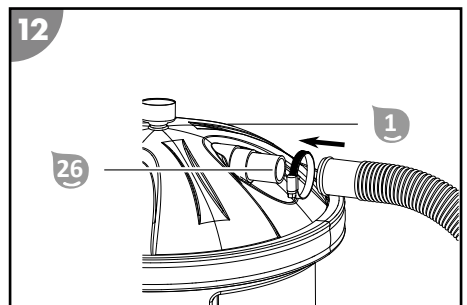
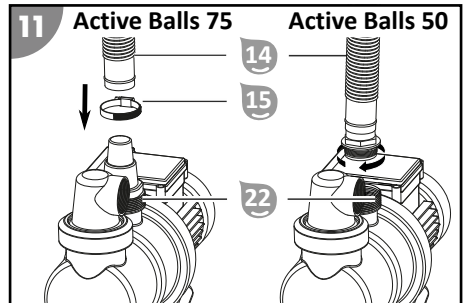


Some hoses, such as the pressure hose, are very stiff. Place them in the sun before use so that the heat makes them more flexible.

## Connecting the pressure line

1. Push or screw one end of the pressure hose **14** onto the pump outlet **22**.
2. Place a hose clamp **15** over the pressure hose. Using a Phillips screwdriver PH1 **32**, turn the screw on the hose clamp clockwise to tighten the hose clamp over the connection.
3. Place the second hose clamp over the pressure hose.
4. Push the end of the pressure hose onto the pressure line **26** connection on the filter cover **1**.
5. Position the hose clamp on the connection and tighten this one as well with a Phillips screwdriver.

The pressure line **26** is connected.

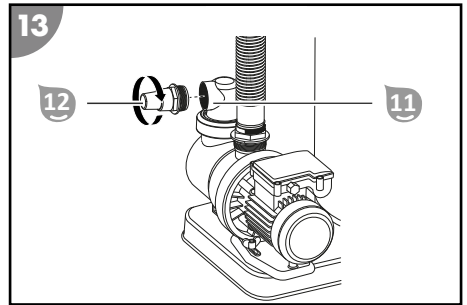


## Connecting the suction line

Connecting the suction line with the self-fastening hose

- When using self-fastening hoses  $\varnothing$  32 / 38 mm.

1. Screw a hose adapter **12** clockwise onto the prefilter cover **11**.
2. Make sure that water from the supply or drain line does not flow into the pool.
3. Push the hose end onto the hose adapter and use the hose clamps to fix the hose in place.



*The suction line is connected.*

## Connecting the return line

Connecting the return line



When using push-on hoses.

1. Push one hose end onto the connection for the return line **27** on the filter cover **1**.
2. Connect the second end to the connection on the injection nozzle of the pool.

*The return line **27** is connected.*

## Preparing the filter system

1. Remove the stopper on the suction line if applicable.
2. Check that the suction line is free and then open the shut-off valve on the suction line.

*The filter system fills automatically with water because it is below the water level.*

3. Let the filter vessel fill completely with water.
4. Bleed the filter system. Open the prefilter cover **11** on the pump slightly by loosening the threaded ring **13** until water flows from the prefilter cover.

5. Let the prefilter cover fill completely with water.

6. Check the filter system and the connections for leaks.

In the case of leaks, wrap extra Teflon tape around the affected connections.

# Operation

## CAUTION!

### Risk of injury!

A damaged device or damaged accessories may cause injuries.

- Check the device and the accessories (see section "Testing").




### Pump operation

Information on how the timer function works can be found in the "How the timer works" section

#### Starting the pump operation

1. Connect the pump's power plug to the power supply.


*The running time display is lit. If a battery is inserted, the last selected running time is displayed.*

2. Press the timer button  several times until the LED of the desired running time is lit.
3. Press the ON/OFF button  to switch on the pump .

The pump will now run nonstop for the selected running time. The timer function activates the pump again at the same time on the following day.

*The pump is running. Listen to the pump to check for any unusual noises. If there is air in the system, bleed it again.*

#### Stopping the pump operation

To stop the pump operation, press the ON/OFF button . The timer function can be deactivated only by disconnecting the pump from the power supply.

### Care instructions

The filter system cannot filter out algae, bacteria and other microorganisms.

- Use special water care substances to prevent and remove these to ensure hygienically clean water.
- Consult an expert and observe the dosage.

# Maintenance

### Exchanging the filter medium



The Steinbach filter balls should be exchanged every 2 to 3 years, depending on the operating period and the amount of dirt on the device.

1. Press the ON/OFF button **30** to switch off the pump **10**.
2. Pull the power plug of the pump **10**.
3. Close the shut-off valves or block the water flow to the pool's connecting hoses.
4. Open the screw cap on the drainage opening **23** by twisting it counter-clockwise.
5. Completely drain the water from the filter vessel **6** via the drainage opening.
6. Place the screw cap on the drainage opening and screw it down by turning it counter-clockwise.
7. Remove the locking ring **2** by unscrewing the wing nut **5** counterclockwise.
8. Put aside the locking ring and its screws.
9. Remove the filter cover.
10. Slowly turn the filter vessel on its head and empty out the filter balls.
11. Remove the riser pipe **7** with the screen **8**.
12. Thoroughly rinse the riser pipe and screen under flowing water.
13. Rinse the filter vessel with clean water.
14. Carry out the steps described in the "Preparing the filter vessel" section.

*The filter medium is exchanged.*

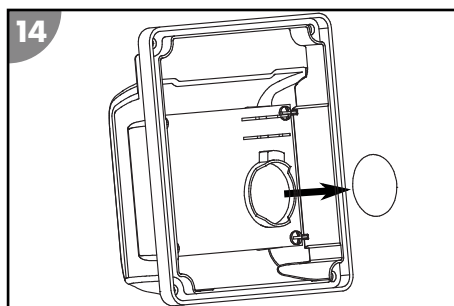
## Replacing the timer battery

1. Make sure that the pump's power cable is disconnected from the power supply.
2. Use a Phillips PH1 screwdriver to remove the screws of the timer cover (turn counterclockwise).
3. Remove the cover.
4. Lightly push down on one edge of the battery to loosen it.
5. Remove the battery.
6. Replace the battery.

You can find the battery type needed in the "Technical data" section.

7. Replace the cover.
8. Screw in the screws clockwise.





*The timer battery is exchanged.*



## Winter storage



Always store the dried filter medium separately from the filter vessel in the winter.

1. Press the ON/OFF button  to switch off the pump .
2. Pull the power plug of the pump .
3. Close the shut-off valves or block the water flow to the pool's connecting hoses.
4. Uninstall the connecting lines to the pool and drain the hoses.
5. Loosen the drain screw  on the pump housing and completely empty the pump.
6. Remove the filter medium (see the "Exchanging the filter medium" section).  
If you are using filter balls, wash them by hand and let them dry completely.
7. Rinse the filter system with tap water.
8. Let the filter system dry completely.

*The device can be stored over the winter.*

## Cleaning

### NOTICE!

Improper cleaning might damage the device.

- Clean the surface of the device with plain water after each use.
- Do not use any aggressive cleaning agents.
- Do not use any sharp or metal objects such as knives, hard scrapers or similar.
- Do not use any cleaning brushes.
- Do not use a high-pressure cleaner.

### Cleaning the filter balls



Never clean the filter balls in the washing machine or tumble dryer!

Clean the filter balls in the sink under running water or use a garden hose.

If the cleaned filter balls no longer clean the pool water sufficiently, exchange the filter balls.

## Test

Check the following before each use:

- Is there visible damage on the device?
- Is there visible damage on the control elements?
- Are the accessories in flawless condition?
- Are all lines in flawless condition?
- Are the ventilation slots unobstructed and clean?

Do not start up a damaged device or damaged accessories. Have them checked by the manufacturer or its customer service or a qualified service technician.

## Storage

1. Thoroughly clean the device (see section "Cleaning").
2. Let the device dry completely after cleaning.
3. Store the device in a dry and frost-free location ( $\geq +5$  °C) without direct sunlight.

## Troubleshooting

Problem	Possible cause	Remedy
The pressure on the manometer exceeds 1 bar.	The filter balls are dirty.	Remove and wash the filter balls by hand. Exchange the filter balls if necessary.
Air bubbles escape from the injection nozzle.	The pump is sucking in air.	Check all hoses and seals for leaks. Retighten the hose clamps.
The pump is not getting enough water or the system pressure is too low.	The water level in the pool is too low.	Raise the water level in the pool.
	The prefilter basket (if present) is clogged.	Empty the prefilter basket.
	The suction line is clogged.	Clean the pressure line.
The pump does not start up.	The pump has no power.	Connect the pump's power plug to the power supply. Check whether the fuse has tripped.
	The pump is defective.	Contact customer service.

If the problem cannot be solved, contact the customer service listed on the last page.



# Technical data

## Active Balls 50

Model	Active Balls 50
Article number	040220
Pump model	SPS 75-1 T; item no. 040916
Battery for timer	Button battery lithium 3V CR 2032
Circulation rate	5,500 l/h
Max. pumping height	9.0 m
Type of pump	Self-priming with prefilter and integrated timer
Max. water temperature	35 °C
Power supply	230 V~ 50/60 Hz
Output	450 W
Vessel	Ø 400 mm
Connection	Ø 32/38 mm
Pump installation	On base plate
Required quantity of filter balls	Approx. 545 g
Suitable for pools up to	22,000 l of water content

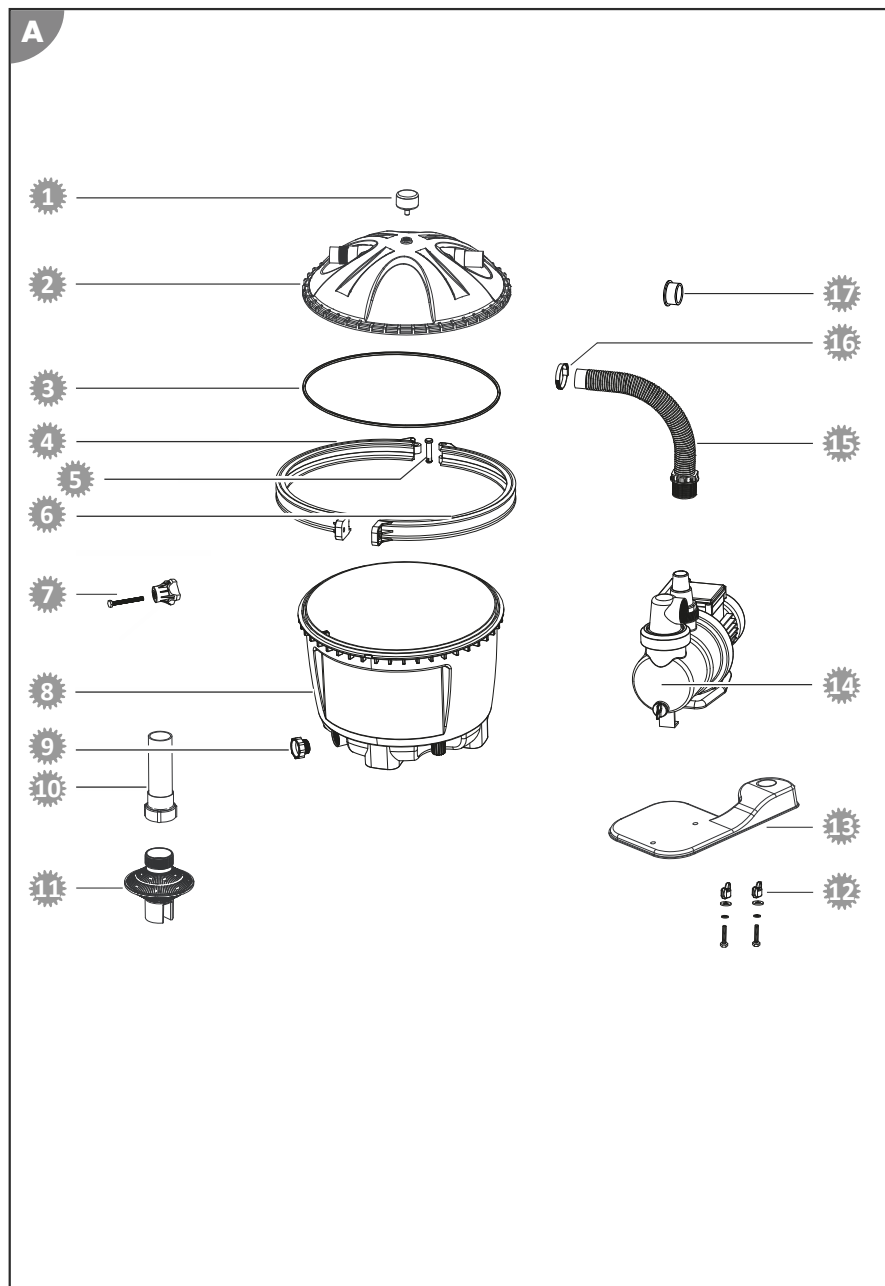
## Active Balls 75

Model	Active Balls 75
Article number	040120
Pump model	SPS 100-1 T; item no. 040917
Battery for timer	Button battery lithium 3V CR 2032
Circulation rate	6,500 l/h
Max. pumping height	10.0 m
Type of pump	Self-priming with prefilter and integrated timer
Max. water temperature	35 °C
Power supply	230 V~ 50/60 Hz
Output	550 W
Vessel	Ø 400 mm

Connection	Ø 32/38 mm
Pump installation	On base plate
Required quantity of filter balls	Approx. 1150 g
Suitable for pools up to	26,000 l of water content

# Spare parts

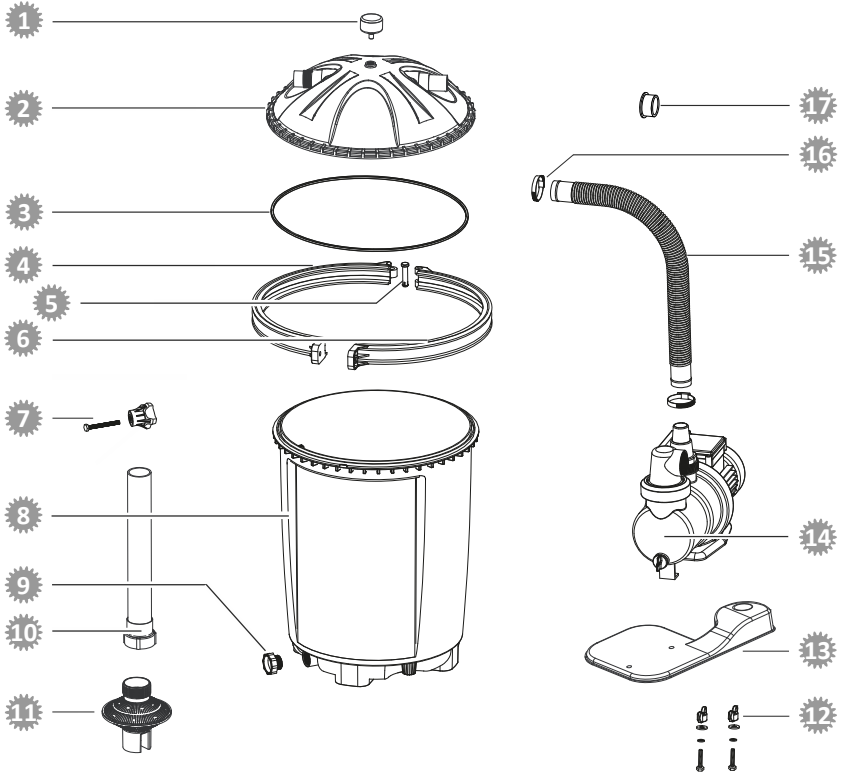
## Active Balls 50



- 1 040952 - manometer
- 2 040823 - filter cover
- 3 040814 - filter vessel seal
- 4 040813 - right locking ring
- 5 040811 - pin
- 6 040812 - left locking ring
- 7 040810 - wing nut
- 8 040804 - filter vessel
- 9 040802 - drain screw for filter vessel, blue
- 10 040832 - riser pipe
- 11 040831 - screen
- 12 040978 - attachment set for filter pumps
- 13 040807 - base plate
- 14 040916 - filter pump SPS 75-1T
- 15 040936 - connection hose L = 25 cm, Ø 38 mm
- 16 040946 - hose clamp Ø 30 – 50 mm
- 17 040834 - hose reducer

# Active Balls 75

15



- 1 040952 - manometer
- 2 040823 - filter cover
- 3 040814 - filter vessel seal
- 4 040813 - right locking ring
- 5 040811 - pin
- 6 040812 - left locking ring
- 7 040810 - wing nut
- 8 040803 - filter vessel
- 9 040802 - drain screw for filter vessel, blue
- 10 040833 - riser pipe
- 11 040831 - screen
- 12 040978 - attachment set for filter pumps
- 13 040807 - base plate
- 14 040917 - filter pump SPS 100-1T
- 15 040923 - connection hose L = 48 cm, Ø 38 mm
- 16 040946 - hose clamp Ø 30 – 50 mm
- 17 040834 - hose reducer

## Declaration of Conformity



Steinbach International GmbH hereby declares that the filter pump meets the following directives:

- EMC Directive (2014/30/EU)
- EN55014-1: 2017; EN55014-2: 2015; EN61000-3-2: 2014; EN61000-3-3: 2013
- AfPS GS 2019:01 PAK
- EN 60335-2-41: 2003 / A2:2010; EN 60335-1:2012 / A2: 2019; EN 62233:2008
- EC Directive (2014/35/EU)

You can request the complete text of the EU Declaration of Conformity from the address stated at the end of this instruction manual.

## Disposal

### Disposing of the packaging

Sort the packaging before you dispose of it. Dispose of paperboard and cardboard with the recycled paper service and wrappings with the appropriate collection service.

## Disposing of used appliances



**Used appliances do not belong in the household waste!**

If the device can no longer be used, each consumer **is obligated by law to drop off used appliances separate from the household waste** at a municipal collection point. This ensures that used appliances are recycled properly and negative effects on the environment are avoided. Therefore electrical appliances are marked with the above symbol.