

Vertrieben durch



Steinbach International GmbH

L. Steinbach Platz 1,
AT-4311 Schwertberg



helpdesk.steinbach.at



Produktinformationen/ Product information/ Informations relatives au produit/ Informazioni sul prodotto/ Informacje o izdelku/ Informații despre produs/ Informace o výrobku/ Informacje o proizvodu/ Termékinformáció/ Informácie o výrobku/ Продуктова информация/ Ürün bilgileri/ Informacje o produkcie/ Información sobre el producto

steinbach-group.com



Pool Control App



Ersatzteile/ Spare parts/ Pièces de rechange/ Parti di ricambio/ Nadomestni deli/ Piese de schimb/ Náhradní díly/ Zamjenski dijelovi/ Pótalkatrészek/ Náhradné diely/ Резервни части/ Yedek parçalar/ Części zamiennie/ Piezas de recambio

steinbach-group.com/de/ersatzteile

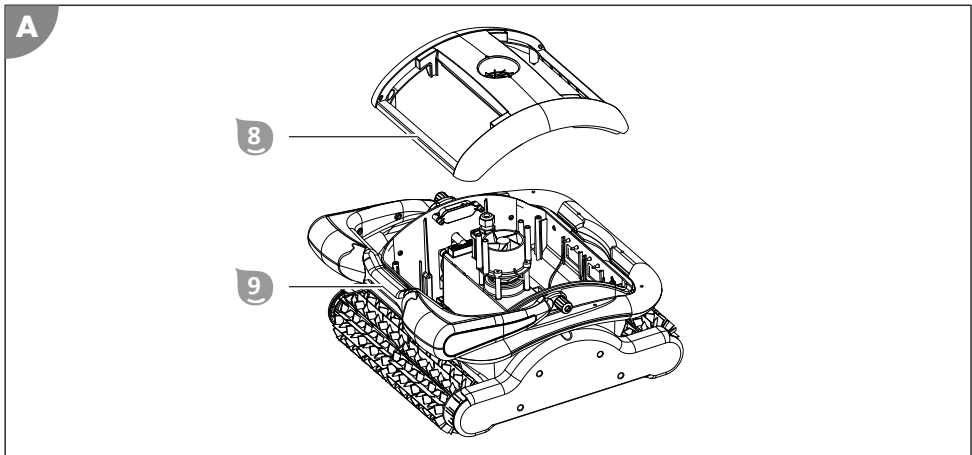
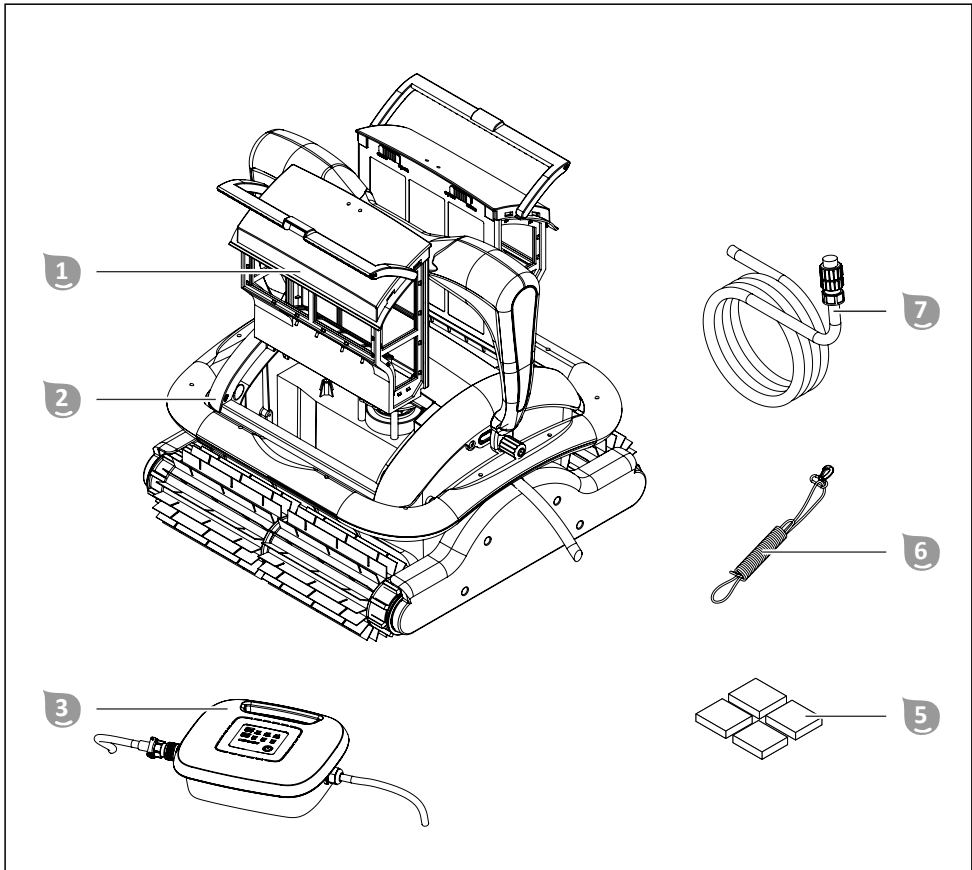
Schwimmbadreiniger

Poolrunner APPcontrol



de	Schwimmbadreiniger.....	5	en	Pool cleaner.....	27
fr	Nettoyeur de piscine.....	48	it	Pulitore per piscina.....	70
es	Limpiafondos de piscina.....	92	cs	Čistič bazénů.....	114
hu	Úszómedence tisztító.....	135	sl	Čistilnik bazena.....	157
sk	Čistič bazénu.....	179	pl	Odkurzacz basenowy.....	201
ro	Dispozitiv de curățare a piscinei.....	223	hr/bs	Čistač bazena.....	245
bg	Уред за почистване на басейни.....	267	tr	Yüzme havuzu temizleyicisi.....	289





Package contents/components

- 1 Filter unit, 2x
- 2 Cleaner
- 3 Control unit
- 5 Buoyancy aid, 4x
- 6 Safety rope
- 7 Floating cable
- Instruction manual (not shown)

Components

- 8 Top part
- 9 Handle

Contents

- Overview..... 3**
- Package contents/components..... 26**
- General Information..... 28**
- Explanation of Symbols..... 28**
- Safety..... 28**
- Unpacking and checking the package contents..... 30**
- Description..... 30**
 - Description of the pool cleaner..... 30
 - Functions of the control unit..... 30
 - Functions of the app control via Bluetooth (optional)..... 31
- Preparation..... 35**
 - Installing the app..... 35
- Operation..... 35**
 - Cleaning the pool..... 36
 - Connecting the app to the device..... 38
 - Switching off the device..... 38
- Cleaning..... 39**
- Storage..... 41**
- Troubleshooting..... 41**
- Technical data..... 44**
- Spare parts..... 45**
- Declaration of Conformity..... 46**
- Disposal..... 46**

General Information

Read and keep the operating instructions



These operating instructions are part of the APPcontrol pool cleaner (in the following also called "device"). It contains important information about startup and operation.

Read the operating instructions and especially the safety instructions carefully before using the device. Non-observance of these operating instructions can lead to severe injuries or damage to the device.

Keep the operating instructions for further use. If you pass on the device to a third party, you must pass on these operating instructions as well.

Intended use

This device is exclusively designed to keep private pools clean. The device is not suited for pools with liners with a liner thickness of less than 0.4 mm. The device is not suited for overflow pools, stainless steel pools or tiled pools and also not for pools with an air ring.

The device is not suited for pools with an installed ladder.

When used in pools made of glass fiber reinforced plastic, it may not be possible to fully clean the walls.

This product is exclusively intended for private use and not suited for the commercial sector. Only use the device as described in these operating instructions. Any other use is considered inappropriate and may lead to material damage or even injury. The device is not a toy.

The manufacturer or retailer will not assume any liability for damage caused by inappropriate or incorrect use.

Explanation of Symbols

The following symbols are used in these operating instructions, on the device or on the packaging.



Here you will find useful additional information.



Risk of damage!
Do not open the packaging with sharp or pointed objects, such as cutters

Safety

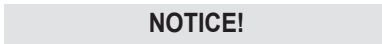
The following signal words are used in these operating instructions.



This signal symbol/word denotes a hazard with an average risk level that could lead to death or severe injury if it is not avoided.



This signal symbol/word denotes a hazard with a low risk level that could lead to mild or moderate injury if it is not avoided.



This signal word provides a warning about potential material damage.

General safety instructions



Risk of electric shock!

Faulty electric installation or excess mains voltage can cause an electric shock.

- Only connect the power cable if the mains voltage of the socket matches that on the type plate.

- Only connect the power cable to an easily accessible socket so that you can quickly disconnect it in the case of a fault.
- Only connect the power cable to a grounded socket.
- Operate the device only at an outlet with a protective contact and a fuse with max. 16A.
- The device must be powered via a residual current device with a rated residual current of at most 30 mA.
- Do not operate the device if it shows visible damage or if the power cable is defective.
- Do not open the device; leave repairs to an expert. Contact the service address on the back of the instruction manual for this purpose. All liability and warranty claims will be void in the case of arbitrary repairs, improper connection or wrong operation.
- Never touch the power cable with wet hands.
- Never pull the power cable out of the socket by the cable; always hold it by the plug.
- Never use the power cable as a carrier handle.
- Keep the device and the power cable away from naked flames and hot surfaces.
- Do not place any objects on the power cable.
- Do not bury the power cable.
- Route the power cable such that no one can trip over it.
- Do not kink the power cable and do not place it over sharp edges.
- Do not use the device during a thunderstorm. Switch it off and pull the power cable out of the socket.
- Always switch off the device and disconnect it from the power supply if you are not using the device, when cleaning it or in the case of a fault.
- Only components that meet the original device data must be used for repair. There are electric and mechanical components in this device that are indispensable for hazard protection.
- Only use spare parts and accessory parts supplied or recommended by the manufacturer. All warranty claims will be void when using third-party components.
- Do not operate the device with an external timer or a separate remote system.

NOTICE!

- Only use the supplied control unit that matches your device.
- Never let the device run outside of the water as this can cause damage even after a short time.

Safety instructions for persons

WARNING!

Danger to children and persons with reduced physical, sensory or mental capacities (such as partially disabled persons/older persons with reduced physical and mental capacities) or persons lacking experience and knowledge (such as older children).

Improper handling of the device can lead to severe injury or damage to the device.

- Only allow others to access the device after they have read and comprehended the entire manual or have been instructed about the intended use and the associated risks.
- Never let persons with reduced physical, sensory or mental capacities (such as children or drunk people) or a lack of experience and knowledge unsupervised near the device.
- Never allow children and persons with limited physical, sensory or mental capacities or persons lacking the respective experience and knowledge to operate the device.
- Do not let children clean or service the device.
- Children are not allowed to play with the device or with the power cable.
- Do not operate the device when impaired (e.g. under the influence of drugs, alcohol or medication).

⚠ WARNING!

Risk of injury through insufficient qualification!

Insufficient experience or skills for handling the required tools and insufficient knowledge of regional or normative regulations for the required work can lead to severe injuries or material damage.

- Assign all work whose risks you cannot estimate due to insufficient personal experience to a qualified expert.

Unpacking and checking the package contents

⚠ WARNING!

Packaging materials pose a risk of suffocation!

Catching your head in the packaging foil or swallowing other packaging materials can cause death. There is a higher risk for children and mentally challenged persons who cannot estimate the hazard potential due to lack of knowledge and experience.

- Prevent children and mentally challenged persons from playing with the packaging materials.

Description

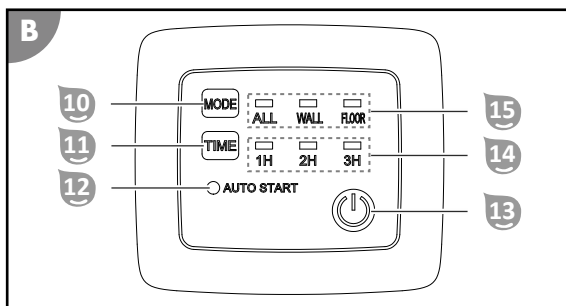
Description of the pool cleaner

The battery-operated pool cleaner cleans the bottom and the walls of your pool for maintenance. Cleaning rollers dislodge the accumulated biofilm.

The removable filter unit **1** filters suspended deposits and floating substances out of the water.

Functions of the control unit

The power adapter integrated in the control unit supplies the pool cleaner with 24 V DC.



Mode function **10** **15**

Use this function to set the type of cleaning.

Use the MODE button **10** to switch between the types of cleaning. Before the start of operation and during operation, the lit LED **15** indicates the currently selected mode.

- ALL cleans the floor and the wall once.
- WALL only cleans the wall.
- FLOOR only cleans the floor.
- ALL & FLOOR cleans the floor three times and the wall once.

Time function **11** **14**

Use this function to set the running time.

The TIME button **11** alternates between the running times. Before the start of operation, the lit LED **14** indicates the currently selected mode.

- 1H stops the cleaning process after one hour.
- 2H stops the cleaning process after two hours.
- 3H stops the cleaning process after three hours.

Autostart function **12**

Use this function to set the automatic start of operation.

The function can only be set via the app. The lit LED **12** indicates activated autostart function. The LED indicator blinks to indicate a cleaning program that was started by the autostart function.

ON/OFF function **13**

Use this function to switch the control unit on or off and to start operation.

Use the ON/OFF button **13** to switch between the following functions:

- ON (switches the control unit on).
- START (starts the cleaning program set with the Mode and Time functions);
- and OFF (stops all active cleaning programs and switches the control unit off).

Functions of the app control via Bluetooth (optional)

Start menu

Connection status **1**

Indicates the connection status.

- **connected** indicates that the app is connected to the control unit.
- **not connected** indicates that the app is not connected to the control unit.

Device detection **2**

Connecting an available and compatible Bluetooth device.

Language **3**

Selection of the display language.

Automatic mode **4**

Set the type of cleaning and start the cleaning program.

Manual mode **5**

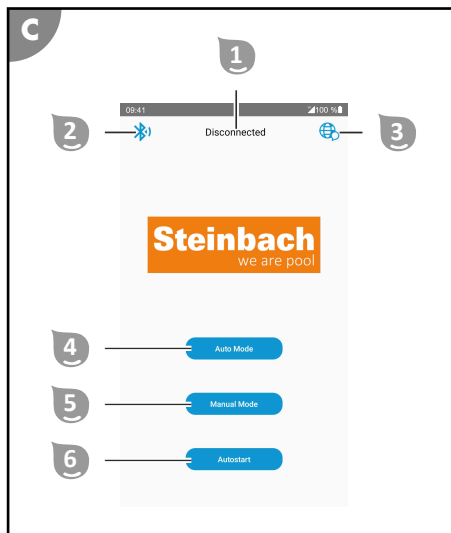
Manual device control.

Autostart **6**

Configuration of the autostart function.

Automatic mode

Automatic mode lets you select the type of cleaning and start the cleaning program.



Connection status 1

See "Start menu".

Start menu 2

Return to the start menu.

Type of cleaning 3

Selection of the type of cleaning.

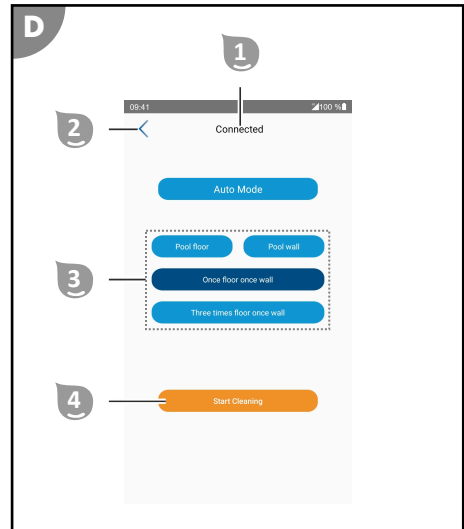
The prominent button indicates the currently selected mode before the start of operation and during operation.

- **Pool floor** only cleans the floor.
- **Pool wall** only cleans the wall.
- **Floor once, wall once** cleans the floor and the wall once.
- **Floor three times, wall once** cleans the floor three times and the wall once.

Start/Stop 4

Starts or stops operation.

- **Start** starts cleaning with the set type of cleaning.
- **Stop** stops automatic cleaning.



Manual mode

The manual mode is used to manually control the movements of the device. Movement starts with a delay because the pump has to start up first.

Connection status 1

See "Start menu".

Start menu 2

Return to the start menu.

Forward 3

Moves the device forwards until another button is pressed.

The LED indicator of the Mode function on the control unit blinks from left to right.

Left 4

Turns the device counter-clockwise for as long as the button is pressed.

The LED indicator of the Time function on the control unit blinks from right to left.

Reverse 5

Moves the device backwards until another button is pressed.

The LED indicator of the Mode function on the control unit blinks from right to left.

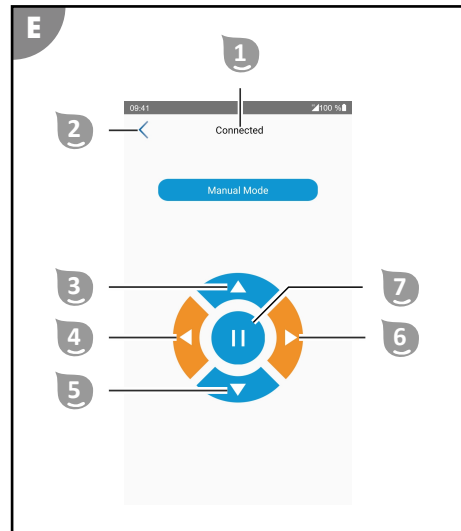
Right 6

Turns the device clockwise for as long as the button is pressed.

The LED indicator of the Time function on the control unit blinks from left to right.

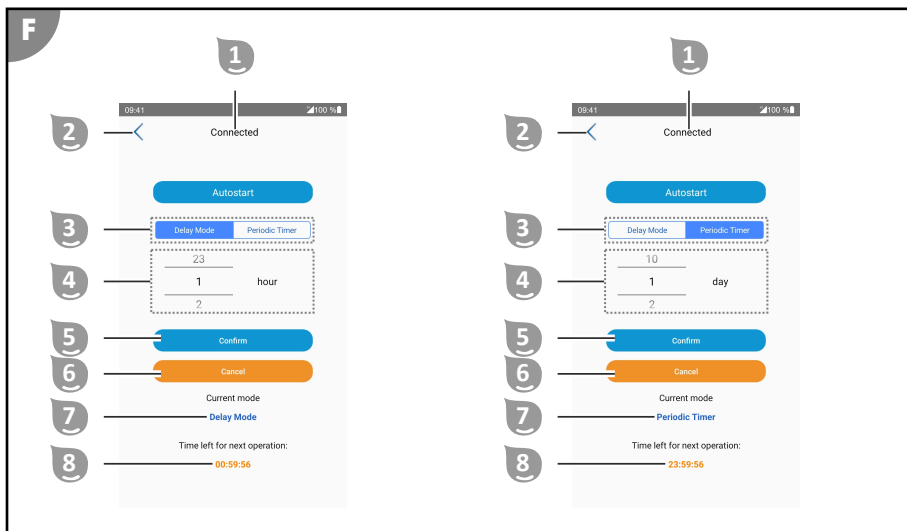
Stop 7

Stops the movement.



Autostart mode

The Autostart mode lets you configure the autostart function.



Connection status 1

See "Start menu".

Start menu 2

Return to the start menu.

Autostart mode 3

Selects autostart mode.

- **Single cleaning** starts the cleaning process once after the set delay.
- **Periodical cleaning** starts the cleaning process immediately and repeats it at the same time at the set interval.

Delay/Interval 4

Depending on the autostart mode, the selection field alternates between hours and days.

- **Single cleaning** defines the delay until cleaning starts (1 to 23 hours).
- **Periodical cleaning** defines the interval of periodical cleaning (1 to 10 days).

Confirm 5

Transmits the settings to the control unit.

Delete 6

Deletes the settings in the control unit.

Current mode 7

Indicates the current mode.

Time until next cleaning 8

Indicates the time until the automatic start of the next cleaning. Is only displayed if the autostart function is active.

Preparation

Installing the app

You have to install the app to use all functions of the device.

iOS



Android



or look in the Apple App Store for "Steinbach APPcontrol"

or look in the Google Play Store for "Steinbach APPcontrol"



Install updates at regular intervals to keep the app up to date. This is the only way to guarantee fault-free operation of the control via Bluetooth.

Operation

⚠ WARNING!

Do not operate while swimming! Mortal danger!

Hair or clothing can be sucked in or trapped by the cleaning element, hold persons under water and, in extreme cases, prevent them from resurfacing.

- Never operate the device while there are persons in the pool.
- Prevent any access to the pool as long as the device is in operation.

⚠ WARNING!

Risk of electric shock!

Risk of electric shock if the control unit drops into the filled pool while it is connected to the power supply.

- Pull the power plug out of the socket before lifting the device out of the pool.

⚠ WARNING!

Risk of electric shock!

Handling the power plug with wet hands can lead to an electric shock.

- Never touch the power plug with wet hands.

NOTICE!

A lawnmower can damage a cable placed on the ground.

- Route the cable so that it cannot be damaged by a lawnmower or similar device.

NOTICE!

High temperatures can damage the control unit.

- Do not cover the control unit.
- Place the control unit in the shade, if possible.

Check the following before each use:

- Is there visible damage on the device?
- Is there visible damage on the control elements?
- Do all individual parts function?
- Are the accessories in perfect condition?
- Are all cables in perfect condition?

Do not start up a damaged device or damaged accessories. Have them checked by the manufacturer or its customer service or a qualified service technician.

Cleaning the pool

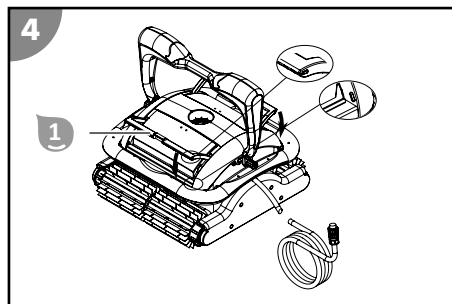
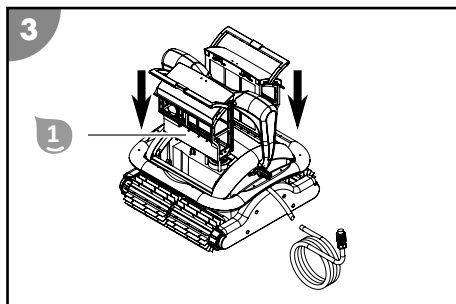
Observe the following before cleaning your pool:

- Remove any cover or film from the pool.
- Remove obstacles (such as a ladder) from the pool.
- Switch off the filter system at least one hour before the start of cleaning so that particles in the water can settle on the floor.
- Never let the device run outside of the water as this can cause damage even after a short time.

Proceed as follows to clean your pool:

1. Insert the filter units.
2. Place the device in the pool.
3. Connect the control unit to the device and the power supply.
4. Switch the device on, select the desired type of cleaning and adapt the running time to the size of your pool. See section "Functions of the control unit".
5. Start the cleaning program.

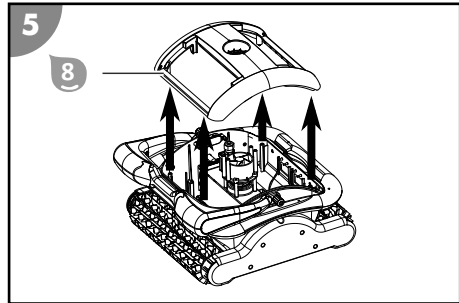
Inserting the filter units



1. Slide the filter units **1** flush into the device along the guide rail.
 2. Press down the handle of the filter units **1** until it has snapped into place on both sides.
- The filter units are inserted.*

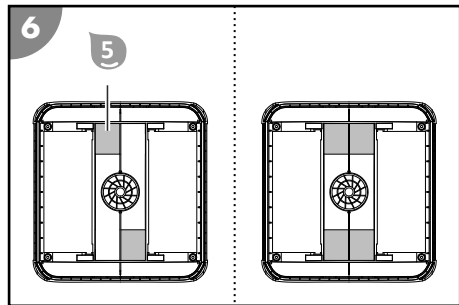
Installing the buoyancy aids

1. Remove the filters.
2. Remove the four screws on the top part 8.
3. Take the top part 8 off.



4. Stick two of the self-adhesive buoyancy aids 5 diagonally opposite each other on the inside of the top part 8. Should the device still not float sufficiently, stick on two additional buoyancy aids next to the ones already installed.
5. Replace the top part 8 and screw it down again with the four screws.
6. Now reinsert the filters.

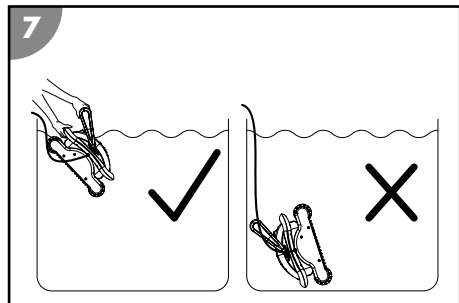
The buoyancy aids are installed.



Placing the device in the pool

1. Completely unroll the floating cable 7 and place it next to the pool without twisting.
2. Hold the device by the handle 9 and lower it slowly into the water (tipped slightly forward) until all the air has escaped.
3. Let the device sink to the bottom while you slowly feed more floating cable 7 to lower the device in a controlled manner. Make sure that the device lands on the bottom of the pool on its underside and that cleaning can start without obstruction towards the center of the pool.

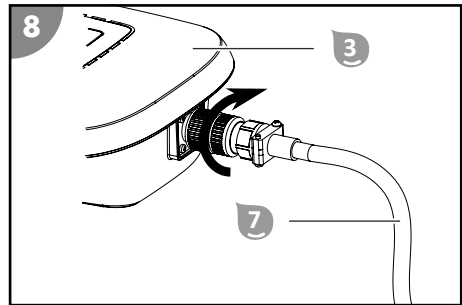
The device is in the pool.



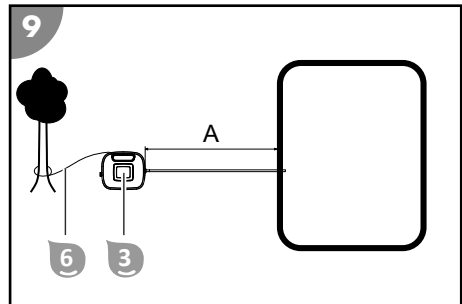
Connecting the control unit

1. Only let as much of the floating cable 7 into the water so that the device can reach all the spots in the pool.

2. Connect the plug of the floating cable **7** in the right position to the control unit **3** and screw the connection together.



3. Attach the control unit **3** at a distance of at least $A=3.5$ m to the pool with the safety rope **6** so that it cannot be pulled into the water.
4. Connect the power plug to a grounded socket.
The control unit is connected.



Starting cleaning

1. Press the ON/OFF button on the control unit.
The display indicates the settings of the last selected cleaning program.
2. Select the desired type of cleaning and adapt the running time to the size of your pool.
3. Press the ON/OFF button again to start the set cleaning program.
Cleaning starts and the running time LED starts to blink.

Connecting the app to the device

1. Activate Bluetooth.
If you use an android device, you might have to activate GPS as well.
2. Start the "Steinbach APPcontrol" app.
3. Start the device detection.
4. Tip on the displayed device to connect it to the app.
Once the connection has been successfully established, the connection status indicates "connected".

The app is connected to the device.

Switching off the device

Proceed as follows to switch off the device:

1. Switch off the device after the end of the cleaning program.
2. Disconnect the control unit from the power supply and the device.
3. Lift the device out of the pool.
4. Clean the filter units and the device.
5. If you use the autostart function, place the device in the pool again and connect the control unit to the power supply.

Stopping cleaning

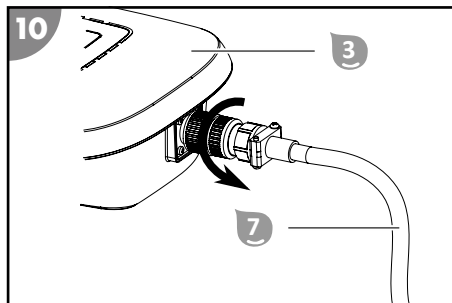
The device stops cleaning automatically as soon as the set runtime has expired; all LEDs of the cleaning type and running time indicators start to blink.

To stop cleaning before the set running time has expired, deactivate the control unit 3 by pressing the ON/OFF button.

Disconnecting the control unit

1. Disconnect the power plug from the grounded socket.
2. Undo the screw fitting of the plug on the control unit 3 and pull of the floating cable 7.

The control unit is disconnected.



Lifting the device out of the pool

1. Slowly pull the device by the floating cable 7 towards the water surface until you can reach the handle 9.
2. Slowly lift the device out of the water and hold it above the water surface. After 10 to 15 seconds, most of the water that has collected in the housing has drained back into the pool.
3. Set down the device next to the pool.

The device is lifted out of the pool.



Clean the device after each use to ensure continued trouble-free operation.

Cleaning

Only clean the device with a standard bathroom cleaner, clear tap water and a lint-free cloth. Aggressive cleaning agents can damage the device. Dry the product with a lint-free cloth.

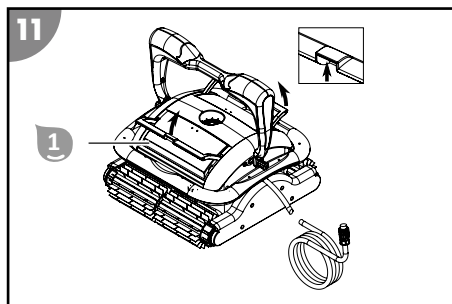
Cleaning the device

1. Remove and clean the filter units.
2. Rinse the device and the floating cable after each use with plain tap water inside and out.

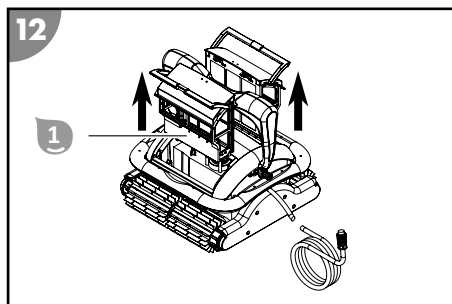
The device is clean.

Removing the filter units

1. Lift the handle of the filter units 1.

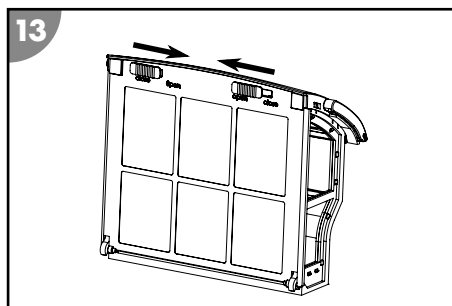


2. Use the handle to pull the filter units straight up and out of the device.
The filter units are removed.

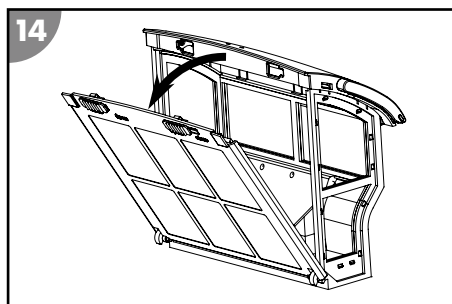


Cleaning the filter units

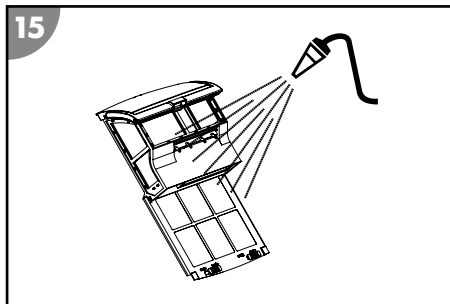
1. Slide the latches into the "Open" position.



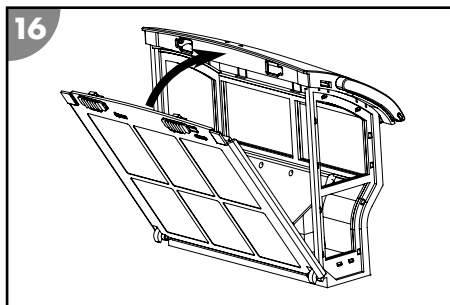
2. Open up the rear cover.



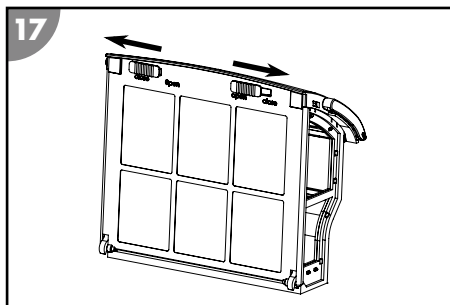
3. Thoroughly rinse the filter unit with plain tap water.



4. Close the rear cover.



5. Slide the latch into the "Closed" position.
The filter units are cleaned.



Storage

1. Thoroughly clean the device (see section "Cleaning").
2. Let all parts dry completely.
3. Then store the device and its accessories in a dry and frost-free place ($\geq +5\text{ }^{\circ}\text{C}$) without direct sunlight.

Troubleshooting

Fault description	Cause	Remedy
1H blinks rapidly and an alarm is heard	The device is no longer in the water.	Place the device in the water again or wait until the device restarts automatically.
All LEDs blink rapidly and a buzzing sound is heard	Mains adapter is overloaded.	Contact customer service.

Fault description	Cause	Remedy
1H+2H+3H blink rapidly and a buzzing sound is heard	Seal of the motor unit is not leak-tight.	Stop the device and contact customer service.
ALL+1H blink rapidly and an alarm is heard	Pump is overloaded.	Stop the device and check the wheel and the pump.
WALL+2H blink rapidly and a buzzing sound is heard	Drive motor 1 is overloaded.	Check the drive belt.
FLOOR+3H blink rapidly and a buzzing sound is heard	Drive motor 2 is overloaded.	Check the drive belt.
ALL+WALL+1H+2H blink rapidly and an alarm is heard	There is abnormal voltage in the device.	Stop the device and contact customer service.
WALL+FLOOR+2H+3H blink rapidly and a buzzing sound is heard	Device is out of the water.	Stop the device, immerse it in water and start the device again.
WALL+FLOOR+2H+3H blink rapidly and an alarm is heard	Device is out of the water and could not be restarted.	Stop the device, immerse it in water and start the device again.
WALL blinks rapidly and an alarm is heard	Device has toppled over.	Manually set the device straight again.
The cable is twisted or tangled.	The cable was not completely detached.	Switch off the device, disconnect the cable and untangle it.
	The cable in the water is too long.	Pull the excess cable length out of the water. The cable in the water should only be long enough so that the device can reach all spots in the pool.
	The device becomes stuck on the drain grate.	Switch off the filter system of the pool.
The device cannot reach all spots.	The control unit was wrongly positioned.	Position the control unit so that the device can easily access all spots.
	The water circulation of the pool is switched on.	Switch off the filter system of the pool.
	The cable is too short.	Let a sufficient length of cable into the pool so that the device can reach all spots in the pool. Observe the minimum distance of the control unit to the pool.

Fault description	Cause	Remedy
The device does not completely move up the wall.	The filter is clogged.	Clean the filters.
	Algae grows on the walls.	Clean the pool walls.
	The water temperature is too high or too low.	Operate the device at water operating temperature (see section "Technical data").
	The drive belt or the cleaning rollers are worn.	Check the drive belt and cleaning rollers for wear and replace them if necessary.
	The device is too light and topples.	Switch off the device and let all the air escape.
	The pH value and the chlorine quantity are not properly set.	Adjust the pH value and the chlorine value to the correct value (see section "Technical data").
	The device has too little buoyancy.	Attach additional buoyancy aids (part of the package contents). See "Installing the buoyancy aids".
The app does not show any available devices.	Inactive services or missing authorizations.	<ul style="list-style-type: none"> - Activate Bluetooth and, with Android, GPS as well. - Allow the app to obtain the device's location.
The device does not function.	The control unit is not completely plugged in.	Check the plug connection of the power cable and the control unit.
	The control unit needs a different voltage than the local one.	Contact customer service.
The device does not sink.	There is air in the device.	Switch off the device and let all the air escape.
	The salt content is too high and the device has more buoyancy.	Set the correct salt content. See section "Technical data".
The device rises to the surface.	The device climbs too high or there is air trapped in the device.	Switch off the device and let all the air escape.
	The salt content is too high and the device has more buoyancy.	Set the correct salt content. See section "Technical data".
The drive belt tears off.	There are foreign objects in the drive.	Contact customer service.

If the problem cannot be solved, contact the customer service listed on the last page.

Technical data

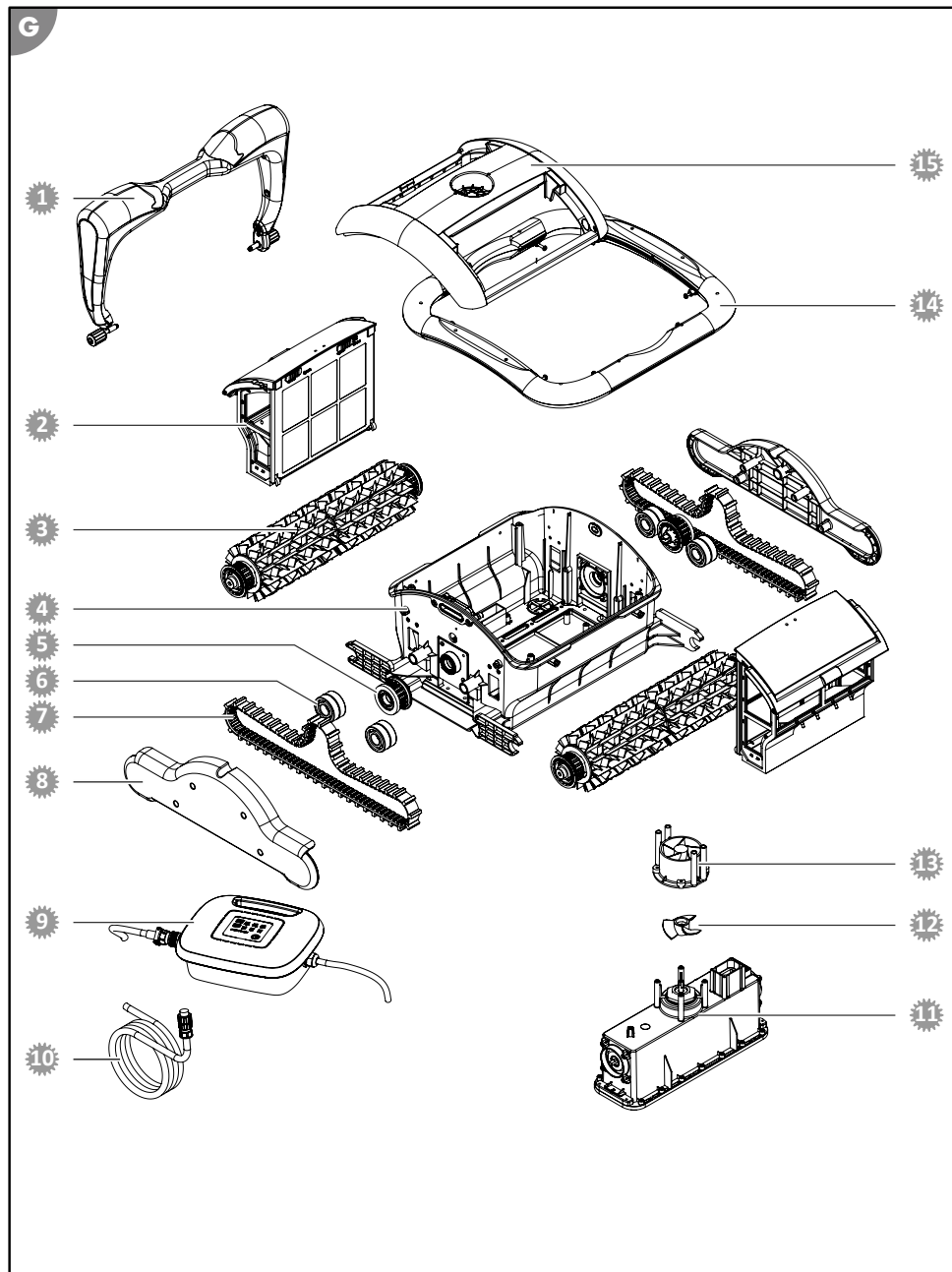
POOL CLEANER

Model:	HJ3012
Item number:	061023
Width of cleaning element:	361 mm (14 inches)
Speed:	max. 12 m/min (39 ft/min)
Immersion depth:	max. 2.0 m (6.5 ft)
Filter mesh:	75 µm
Safety class:	IPX8
App control	Steinbach APPcontrol
Ambient temperature:	10 °C to 40 °C (50 °F to 104 °F)

CONTROL UNIT

Cable length to the device:	18 m
Rated power:	200 W
Operating voltage and frequency:	220-240 V~, 50 Hz
Output voltage:	24 V ===
Safety class:	IPX5
POOL	
Pool size - floor area:	max. 206 m ² (2,217 ft ²)
Salt content in water (salt electrolysis):	<0.5%
Water temperature:	10 °C to 35 °C (50 °F to 95 °F)

Spare parts



en

- | | |
|--|---|
|  061955 - handle |  061964 - side cover |
|  061978 - filter unit |  061969A - control unit |
|  061959 - cleaning roller |  061965 - floating cable |
|  061960 - bottom part |  061977 - motor unit |
|  061961 - drive wheel |  061958 - propeller |
|  061962 - bearing |  061957 - water outlet |
|  061963 - drive belt |  061954 - collision protection |
| |  061953 - top part of cleaner |

Declaration of Conformity



Steinbach International GmbH hereby declares that the device meets the following directives:

- 2014/35/EU (EN 60335-1:2012+A11:2014; EN 60335-2-41:2003+A1:2004+A2:2010; EN 62233:2008)
- 2014/30/EU (EN 55014-1:2006+A1:2009+A2:2011; EN 55014-2:2015; EN 61000-3-2:2014; EN 61000-3-3:2013)
- 2014/53/EU (EN 62479; EN 300 328; EN 301 489)

You can request the complete text of the EU Declaration of Conformity from the address stated at the end of this instruction manual.

Disposal

Disposing of the packaging

Sort the packaging before you dispose of it. Dispose of paperboard and cardboard with the recycled paper service and wrappings with the appropriate collection service.

Disposing of used appliances



Used appliances do not belong in the household waste!

If the device can no longer be used, each consumer **is obligated by law to drop off used appliances separate from the household waste** at a municipal collection point. This ensures that used appliances are recycled properly and negative effects on the environment are avoided. Therefore electrical appliances are marked with the above symbol.