

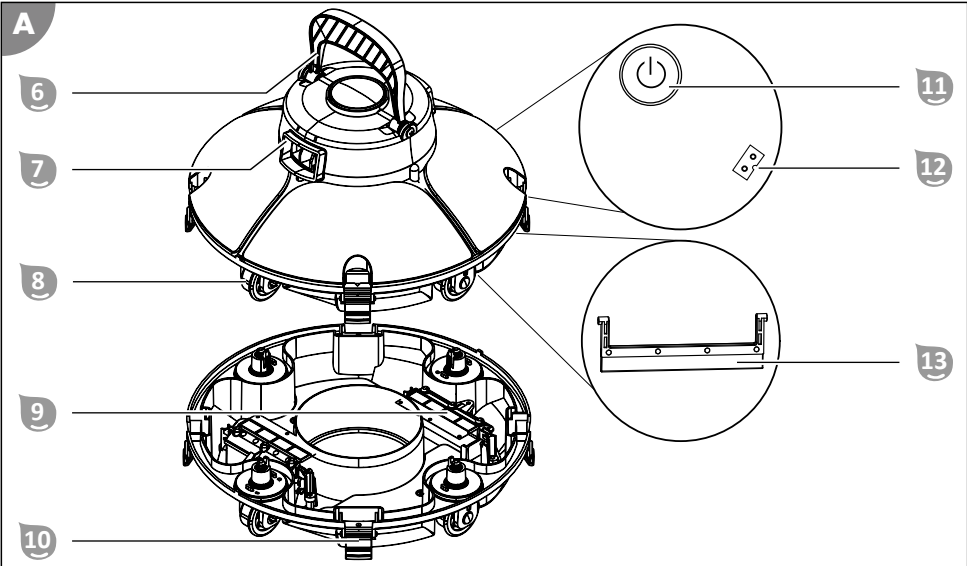
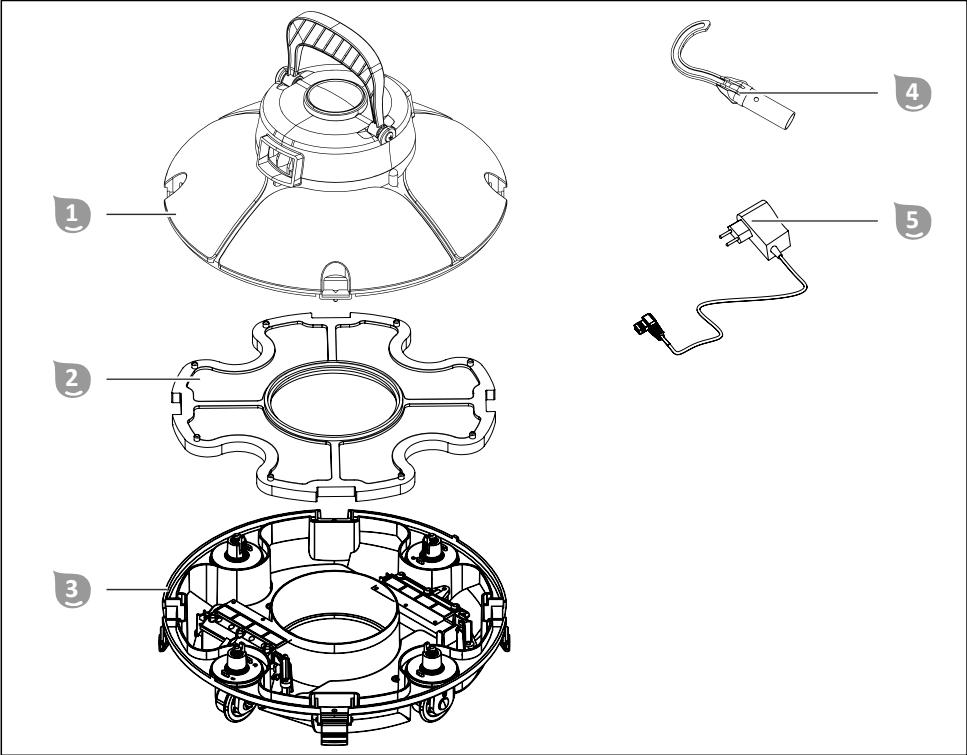
Originalbetriebsanleitung / Original owner's manual / Notice originale / Istruzioni originali / Manual original / Původní návod k používání / Eredeti használati utasítás / Izvirna navodila / Pôvodný návod na použitie / Instrukcija oryginalna / Instrucțiuni originale / Originalne upute / Оригинална инструкция / Orijinal kullanım talimatları

Schwimmbadreiniger

Poolrunner Battery Basic



de	Schwimmbadreiniger.....	4	en	Pool cleaner.....	18
fr	Nettoyeur de piscine.....	32	it	Pulitore per piscina.....	46
es	Limpiafondos de piscina.....	60	cs	Čistič bazénů.....	74
hu	Úszómedence tisztító.....	88	sl	Čistilnik bazena.....	102
sk	Čistič bazénu.....	116	pl	Odkurzacz basenowy.....	130
ro	Dispozitiv de curățare a piscinei.....	144	hr/bs	Čistač bazena.....	158
bg	Уред за почистване на басейни.....	172	tr	Yüzme havuzu temizleyicisi.....	186



Package contents/components

- 1 Top part
 - 2 Filter unit
 - 3 Bottom part
 - 4 Hook
 - 5 Charger
- Instruction manual (not shown)

Components

- 6 Handle
- 7 Water discharge nozzle
- 8 Wheel
- 9 Dirt flap
- 10 Locking clip
- 11 ON/OFF switch
- 12 Charging socket
- 13 Cleaning strip

Contents

Overview	2
Package contents/components	17
General Information	19
Explanation of Symbols	19
Safety	20
Unpacking and checking the package contents	21
Description	22
Description of the pool cleaner.....	22
Preparation	22
Charging the rechargeable battery.....	22
Basic settings.....	23
Operation	24
Cleaning the pool.....	24
Switching off the device.....	25
Cleaning	26
Cleaning the device.....	26
Storage	26
Troubleshooting	27
Technical data	28
Spare parts	29
Declaration of Conformity	30
Disposal	30

General Information

Read and keep the operating instructions



These operating instructions are part of the Pool Runner Battery Basic pool cleaner (in the following also called "device"). It contains important information about startup and operation. Read the operating instructions and especially the safety instructions carefully before using the device. Non-observance of these operating instructions can lead to severe injuries or damage to the device.

Keep the operating instructions for further use. If you pass on the device to a third party, you must pass on these operating instructions as well.

Intended use

This device is exclusively intended for the maintenance cleaning of private foil pools with a foil thickness of <0.4 mm and a smooth and level floor without any obstacles (such as folds, floor drains, steps or stairs).

The cleaning performance may be limited in pools made of alternative materials (such as GFK, stainless steel or tiles) due to the surface structure.

The device is not suitable for the removal of large sediment quantities that occur in pools with biological water treatment (such as eco swimming pools or natural pools).

This product is exclusively intended for private use and not suited for the commercial sector. Only use the device as described in these operating instructions. Any other use is considered inappropriate and may lead to material damage or even injury. The device is not a toy.

The manufacturer or retailer will not assume any liability for damage caused by inappropriate or incorrect use.

Explanation of Symbols

The following symbols are used in these operating instructions, on the device or on the packaging.



Here you will find useful additional information.



Risk of damage!
Do not open the packaging with sharp or pointed objects, such as cutters



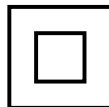
Lithium-ion batteries in equipment or lithium-ion batteries packaged with equipment. Pool cleaner



This symbol provides information about the energy efficiency of external power adapters.



Only use the charger indoors



Electrical device with double insulated housing (protection class II)

Safety

The following signal words are used in these operating instructions.



This signal symbol/word denotes a hazard with an average risk level that could lead to death or severe injury if it is not avoided.



This signal symbol/word denotes a hazard with a low risk level that could lead to mild or moderate injury if it is not avoided.

NOTICE!

This signal word provides a warning about potential material damage.

General safety instructions

Safety instructions for persons



Danger to children and persons with reduced physical, sensory or mental capacities (such as partially disabled persons/older persons with reduced physical and mental capacities) or persons lacking experience and knowledge (such as older children).

Improper handling of the device can lead to severe injury or damage to the device.

- Only allow others to access the device after they have read and comprehended the entire manual or have been instructed about the intended use and the associated risks.
- Never let persons with reduced physical, sensory or mental capacities (such as children or drunk people) or a lack of experience and knowledge unsupervised near the device.
- Never allow children and persons with limited physical, sensory or mental capacities or persons lacking the respective experience and knowledge to operate the device.
- Do not let children clean or service the device.
- Children are not allowed to play with the device or with the power cable.
- Do not operate the device when impaired (e.g. under the influence of drugs, alcohol or medication).



Risk of injury through insufficient qualification!

Insufficient experience or skills for handling the required tools and insufficient knowledge of regional or normative regulations for the required work can lead to severe injuries or material damage.

- Assign all work whose risks you cannot estimate due to insufficient personal experience to a qualified expert.

Additional safety instructions for chargers

Use and handling of the charger

- Only connect the charger if the mains voltage of the socket matches that on the type plate.
- Only connect the charger to an easily accessible socket so that you can quickly disconnect it in the case of a fault.
- Always ensure sufficient ventilation while charging the rechargeable battery. Gases might be released.
- Only use the charger to recharge rechargeable batteries approved by the manufacturer.
- Do not recharge non-rechargeable batteries.

- A cracked or otherwise damaged rechargeable battery must not be connected to the charger.
- Protect the charger from any kind of moisture.
- Only use the charger indoors. Never operate it in damp rooms or in the rain.
- Never use the charger in environments with explosive or flammable materials. Risk of fire and explosion.
- Do not place any objects on the charger and do not cover the charger.
- Do not install the charger close to a heat source.
- Regularly check the charger for damage.
- Do not use a damaged charger until it has been repaired.
- Do not take the charger apart. Repairs must only be carried out through a licensed technical customer service.
- Do not use the charger if it has been subjected to blows or knocks or if it was dropped.
- Disconnect the charger from the mains after each use.
- Disconnect the charger from the mains before cleaning, servicing, storing and transporting it and let it cool down completely.
- **Only charge the rechargeable battery with chargers recommended by the manufacturer. A charger that is suited for a certain type of rechargeable battery poses a risk of fire if it is used with other types of rechargeable batteries.**

Unpacking and checking the package contents



Packaging materials pose a risk of suffocation!

Catching your head in the packaging foil or swallowing other packaging materials can cause death. There is a higher risk for children and mentally challenged persons who cannot estimate the hazard potential due to lack of knowledge and experience.

- Prevent children and mentally challenged persons from playing with the packaging materials.

Description

Description of the pool cleaner

The battery-operated pool cleaner cleans your filled pool in automatic mode to keep it clean.

Strongly curved transitions from the floor to the wall of the pool can affect the autonomous functioning of the robot, depending on the radius and angle of impact as well as the speed of the robot.

The positions of the wheels **8** influence the travel path of the pool cleaner.

The removable filter unit **2** filters the water and collects deposits in the pool.

The optional cleaning strips **13** can improve the cleaning result depending on the degree of soiling.

When the rechargeable battery is drained, the pool cleaner stops cleaning.

Preparation

Charging the rechargeable battery

WARNING!

Risk of fire!

Charging at a temperature below 10 °C leads to chemical damage to the cell and can cause a fire.

- Charge the rechargeable battery at room temperature.

NOTICE!

Incorrect charging and discharging can significantly impair the performance of the rechargeable battery.

- Charge the rechargeable battery completely before using the device for the first time.
- Recharge the drained rechargeable battery completely within 12 hours.
- Fully recharge the rechargeable battery at least once every three months, even if the device was not used during this time.

NOTICE!

Charging the rechargeable battery in a wet or moist charging socket leads to corrosion of the contacts.

- Only connect the charger to the device if the charging socket is dry.

NOTICE!

The handle might become damaged if the device is stored on its head.

- Never set down the device on its head.

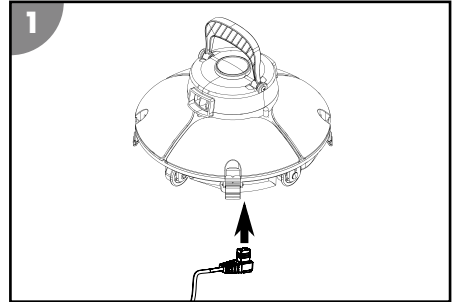
Charging process

1. Switch off the device before charging.
2. Connect the charger to the device.
3. Plug the charger into a socket.

The charge control indicator is lit red. The rechargeable battery is charging.

4. When the charge control indicator is lit green, disconnect the charger from the power supply and the device.

The rechargeable battery is charged.



Basic settings

Adjusting the wheels

You can adapt the working radius by adjusting the wheels. We recommend the following settings:

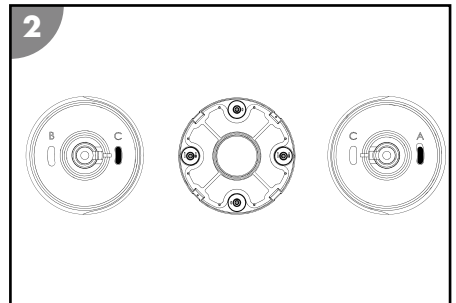
C-A: Setting for most pools (standard setting)

B-C: Setting for large pools

B-A: Setting for small pools

1. Press the retaining lug away from the half axle and pull off the wheel.
2. Insert in the wheel with the catch so that it snaps into place at the respective letter for the selected setting.

The wheels are set.

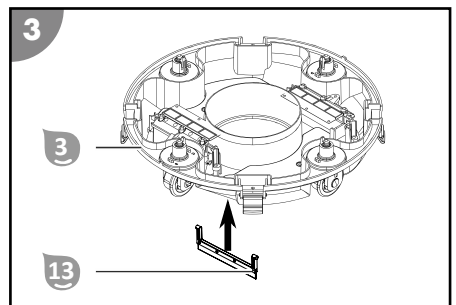


Attaching the cleaning strips

Cleaning strips **13** can improve the cleaning of your pool, depending on the conditions on site, such as type and quantity of dirt or surface structure of the bottom. Only operate the device with the cleaning strips attached if this leads to a better cleaning result.

1. Insert the cleaning strips **13** into the suction channels on the bottom of the bottom part **3**.
2. Make sure that the cleaning strips **13** have properly engaged and have a tight fit.

The cleaning strips are attached.



Detaching the cleaning strips

1. Pull on the frames of the cleaning strips **13** and take them out of the bottom part **3**.

The cleaning strips are detached.

Operation



WARNING!

Do not operate while swimming! Mortal danger!

Hair or clothing can be sucked in or trapped by the cleaning element, hold persons under water and, in extreme cases, prevent them from resurfacing.

- Never operate the device while there are persons in the pool.
- Prevent any access to the pool as long as the device is in operation.

Check the following before each use:

- Is there visible damage on the device?
- Is there visible damage on the control elements?
- Do all individual parts function?
- Are the accessories in perfect condition?
- Are all cables in perfect condition?

Do not start up a damaged device or damaged accessories. Have them checked by the manufacturer or its customer service or a qualified service technician.

Cleaning the pool

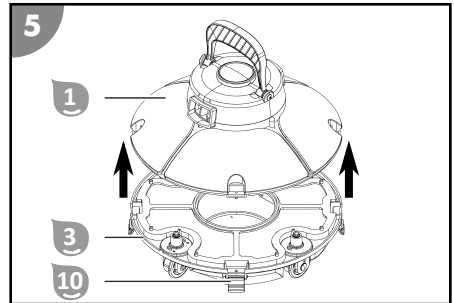
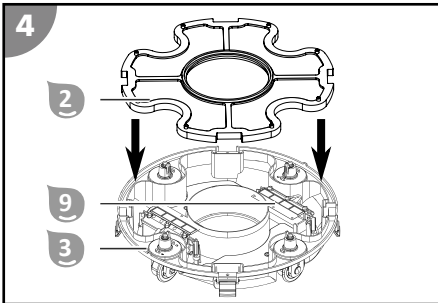
Observe the following before cleaning your pool:

- Remove any cover or foil from the pool.
- Remove obstacles (such as a ladder) from the pool.
- Switch off the filter system at least one hour before the start of cleaning so that particles in the water can settle on the floor.

Proceed as follows to clean your pool:

1. Insert the filter unit.
2. Place the device in the pool and switch it on.

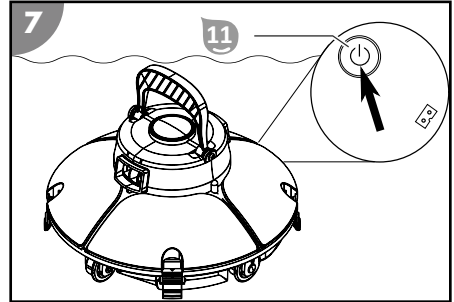
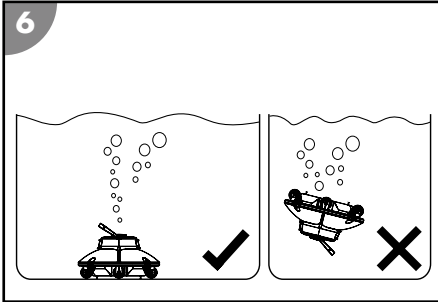
Inserting the filter unit



1. Make sure that the dirt flaps 9 are closed before inserting the filter unit.
2. Insert the filter unit 2 into the bottom part 3 in the correct position with the guide lugs pointing upwards.
3. Place the top part 1 in the correct position on the bottom part 3. In doing so, pay attention to the guide lugs on the marked locking points.
4. Close all clips 10.

The filter unit is inserted.

Placing the device in the pool and starting cleaning



1. Hold the device by the handle **6** and lower it slowly into the water (tipped slightly forward) until all the air has escaped.
2. Press the ON/OFF switch **11** on the bottom until it snaps into place.
If the ON/OFF switch is pressed when the device is not in the water, it beeps and does not turn on.
The device switches on 15 seconds after it is lowered into the water.
3. Then let the device sink to the bottom of the pool.
Make sure that the device lands on the bottom of the pool on its underside and that cleaning can start without obstruction towards the center of the pool.
The device is in the pool and starts cleaning with a time delay.



Cleaning stops automatically if the rechargeable battery dies. Press the ON/OFF switch **11** to stop cleaning early and to switch the device off.

Switching off the device

Proceed as follows to switch off the device:

1. Lift the device out of the pool and switch it off.
2. Clean the filter unit and the device.

Lifting the device out of the pool

1. Slowly pull the device by the handle **6** to the surface using the hook **4** and a telescopic rod (not included).
2. Grab the device by the handle **6** and turn it **upside down** while slowly lifting it out of the water.
This way you ensure that the dirt collected in the filter does not wash out again.
3. Hold the device **upside down** above the water surface.
After 10 to 15 seconds, most of the water that has collected in the housing has drained back into the pool.
4. Press the ON/OFF switch **11** on the bottom until it snaps into place.
The device is switched off.

5. Set down the device next to the pool.

The device is lifted out of the pool.

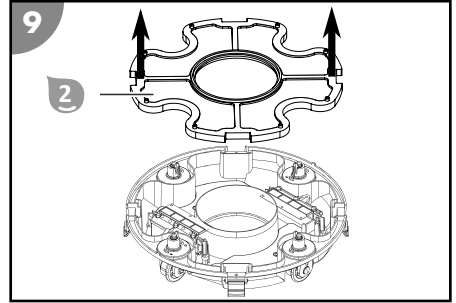
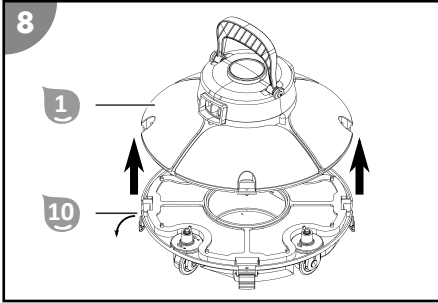


Clean the device after each use to ensure continued trouble-free operation.

Cleaning

Only clean the device with a standard bathroom cleaner, clear tap water and a lint-free cloth. Aggressive cleaning agents can damage the device. Dry the device with a lint-free cloth.

Cleaning the device



1. Open all locking clips **10**.
2. Take the top part **1** off.
3. Remove the filter unit **2**.
4. Thoroughly rinse the filter unit with plain tap water.
5. Rinse the device after each use with plain tap water inside and out.

The device is clean.

Storage

NOTICE!

The handle might become damaged if the device is stored on its head.

- Never set down the device on its head.

1. Thoroughly clean the device (see section "Cleaning").
2. Let all parts dry completely.
3. Fully charge the device.

Recharging is required after at latest 3 months due to self-discharge.

4. Then store the device and its accessories in a dry and frost-free place ($\geq +5$ °C) without direct sunlight.

Troubleshooting

Fault description	Cause	Remedy
The device cannot be switched on.	The rechargeable battery is drained.	Charge the rechargeable battery.
	The rechargeable battery is defective.	Contact customer service.
	The ON/OFF switch has been pressed out of the water. The device beeps but does not switch on.	Place the device in the water and wait 15 seconds until the device turns itself on.
The charge control indicator is not lit.	The charger is defective.	Contact customer service.
The device beeps.	The device is out of the water.	Place the device in the water.
The device continues beeping after it has been placed in the water.	The device is defective.	Contact customer service.
The device cannot reach all spots.	The wheel setting does not fit the pool size.	Adjust the wheels to fit the pool size.
	The pool has a special shape.	Adjust the wheels. Select the setting for small pools.
	The water circulation of the pool is switched on.	Switch off the filter system of the pool.
The device does not turn around at the pool wall.	The handle, the water discharge nozzle or the cleaning strip is stuck.	Remove the obstruction, remove the cleaning strips or contact customer service.
The device floats up or turns in a circle on the pool floor.	Too much air in the housing.	Let all air escape.
	The salt content is too high and the device has more buoyancy.	Set the correct salt content. See section "Technical data".
The rechargeable battery runtime is shorter than expected.	The water circulation of the pool is switched on.	Switch off the filter system of the pool.
	The water temperature is too low.	Only use the device under the permissible operating conditions. See section "Technical data".
	The rechargeable battery was not completely charged.	Charge the rechargeable battery completely.
	The pool floor is not level.	Only use the device in pools with a level floor.

If the problem cannot be solved, contact the customer service listed on the last page.

Technical data

POOL CLEANER

Model: HJ1101JS
Item number: 061208
Width of cleaning element: 200 mm (7.9 in.)

Speed: max. 16 m/min (53 ft./min.)
Immersion depth: max. 2.0 m (6.5 ft.)
Filter mesh: 180 µm
Safety class: IPX8
App control: not available

POOL

Pool size - floor area: max. 10 m² (108 sq. ft.)
Salt content in water (salt electrolysis): <0.5%
Water temperature: 10°C to 35°C (50°F to 95°F)
Ambient temperature: 10°C to 40°C (50°F to 104°F)

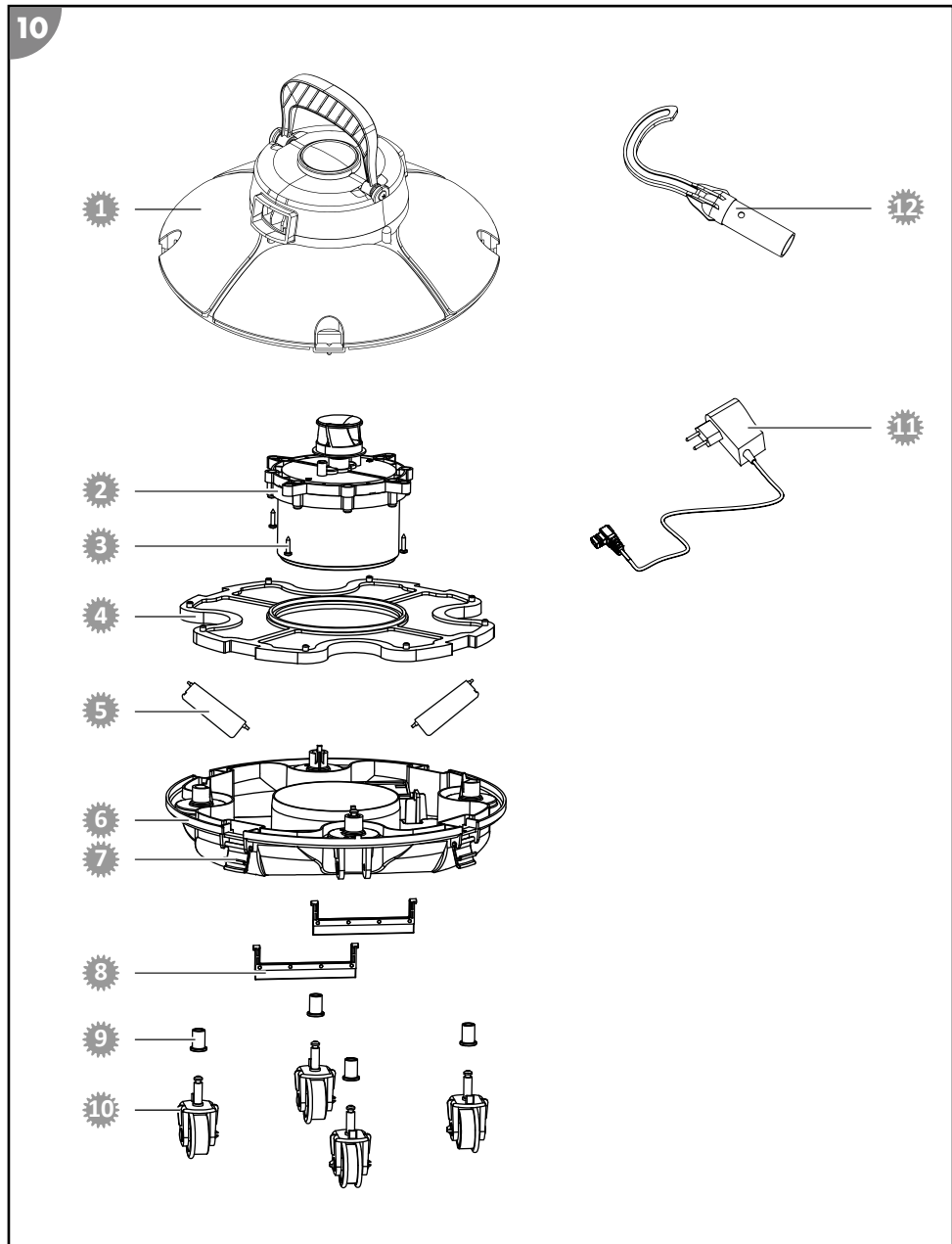
CHARGER













Model: HT-A56-12610EB
Rated power: 29 W
Operating voltage and frequency: 100-240 V~, 50/60 Hz
Output voltage: 12.6 V ===
Safety class: IP20

RECHARGEABLE BATTERY

Type of rechargeable battery: Lithium-ion
Rechargeable battery capacity: 2,600 mAh
Charging time: 3 to 4 hours
Battery running time: up to 60 min.

Spare parts



- | | |
|--|---|
|  061298 - rotating top assembly + top part |  061296 - locking clip |
|  061285 - motor unit |  061288 - cleaning strip |
|  061286 - screw, 3.9 x 16 |  061289 - wheel socket |
|  061293 - filter insert |  061290 - wheel |
|  061294 - dirt flap |  061295 - charger |
|  061297 - bottom part |  061292 - hook |

Declaration of Conformity



Steinbach International GmbH hereby declares that the device meets the following directives:

- 2014/35/EU (EN 60335-1:2012+A11:2014+A13:2017; EN 60335-2-41:2003+A1:2004+A2:2010)
- 2014/30/EU (EN 55014-1:2017; EN 55014-2:2015; EN 61000-3-2:2014; EN 61000-3-3:2013)

You can request the complete text of the EU Declaration of Conformity from the address stated at the end of this instruction manual.

Disposal

Disposing of the packaging

Sort the packaging before you dispose of it. Dispose of paperboard and cardboard with the recycled paper service and wrappings with the appropriate collection service.

Disposing of used appliances

Applicable in the European Union and other European countries with separate collection systems for recyclable materials.



Used appliances do not belong in the household waste!

If the device can no longer be used, each consumer is **obligated by law to drop off used appliances separate from the household waste** at a municipal collection point. This ensures that used appliances are recycled properly and negative effects on the environment are avoided. Therefore electrical appliances are marked with the above symbol.



Batteries and rechargeable batteries must not be disposed of in the household waste!

You, the consumer, are obligated by law to deposit all batteries and rechargeable batteries, regardless of whether they contain hazardous substances* or not, at a collection point in your community/your district or at a retailer so that these can be disposed of in an environmentally-friendly fashion.

* marked with: Cd = cadmium, Hg = mercury, Pb = lead, Li = lithium

© 2023 Steinbach International GmbH

Nachdruck oder Vervielfältigung (auch auszugsweise) nur mit Genehmigung der Steinbach International GmbH. Diese Druckschrift, einschließlich aller ihrer Teile, ist urheberrechtlich geschützt. Jede Verwertung außerhalb der engen Grenzen des Urheberrechts ist ohne Zustimmung der Steinbach International GmbH unzulässig und strafbar. Das gilt insbesondere für Vervielfältigungen, Übersetzungen, Mikroverfilmungen und die Einspeisung und Verarbeitung in elektronischen Systemen.

Vertrieben durch



Steinbach International GmbH

L. Steinbach Platz 1,
AT-4311 Schwertberg



helpdesk.steinbach.at



Produktinformationen/ Product information/ Informations relatives au produit/ Informazioni sul prodotto/ Informacije o izdelku/ Informații despre produs/ Informace o výrobku/ Informacije o proizvodu/ Termékinformáció/ Informácie o výrobku/ Продуктова информация/ Ürün bilgileri/ Informacje o produkcie/ Información sobre el producto

steinbach-group.com



Pool Control

Pool Control App



Ersatzteile/ Spare parts/ Pièces de rechange/ Parti di ricambio/ Nadomestni deli/ Piese de schimb/ Náhradní díly/ Zamjenski dijelovi/ Pótalkatrészek/ Náhradné diely/ Резервни части/ Yedek parçalar/ Części zamiennie/ Piezas de recambio

steinbach-group.com/de/ersatzteile